







MUSTEE
Preferred by the "Pros"

14CP UTILATUB® Combo Laundry/Utility Tub Everything You Need to Install in One Box!

SEE PAGE 2 FOR A LIST OF ACCESSORIES!



- One piece molded construction, using Mustee's Co-Polypure™ resin
- 20 Gallon capacity, extra deep 13" tub with smooth surface
- Combo-Pack includes everything needed to install the tub...
 1. 6" Swing spout faucet with aerator and hose end  
 2. Two 20" flexible supply lines and sealant tape 
 3. 1-1/2" PVC P-Trap with 12" tailpiece 
 4. Drain Stopper

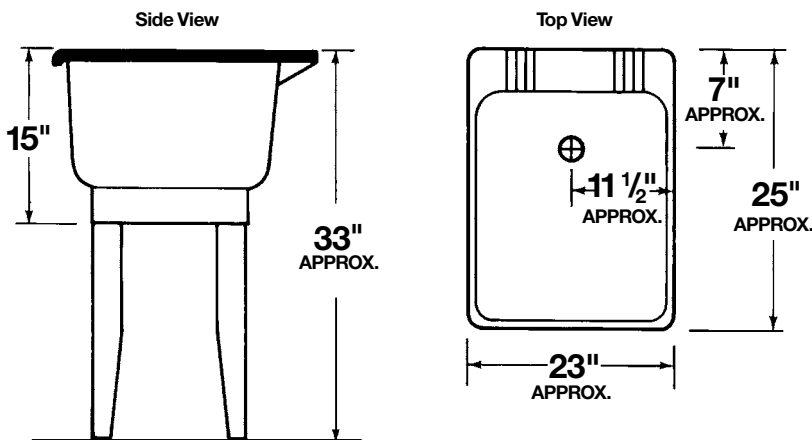


- Leakproof, integrally molded-in drain with stopper
- Connects to standard 1-1/2" P or S trap
- Accommodates dual-handle faucet with 4" center
- Includes finished steel legs with adjustable levelers
- Mold and mildew-resistant components
- Easy to assemble and install
- Color-fast white finish

Specifications

Colors & Models:

Colors & Models:	Model	Mounting	H x W x D	UPC
White	14CP	Floor	33" x 23" x 25"	6 71031 00011 8



General: Furnish and install as shown on plans, UTILATUB® Laundry/Utility Tub model 14CP, as manufactured by E.L. Mustee & Sons, Inc. Tub shall be one-piece molded construction using Co-Polypure™ resin with matched metal molds under extreme heat and pressure. Tub to be 18" wide and include faucet with 6" swing spout, two 20" flexible supply lines and sealant tape, standard 1-1/2" P-trap with 12" tailpiece, integrally molded drain assembly, stopper and finished steel legs with built-in levelers. 20 gallon capacity tub, 13" deep. Shall meet ANSI Z 124-2011. Color: White. Weight: 16 lbs.



MUSTEE

E.L. Mustee & Sons, Inc. • 5431 West 164th Street • Brook Park, OH 44142 • Phone: 216.267.3100 • Fax: 216.267.9997
E-mail: info@mustee.com • Web: www.mustee.com • Proudly made in the USA

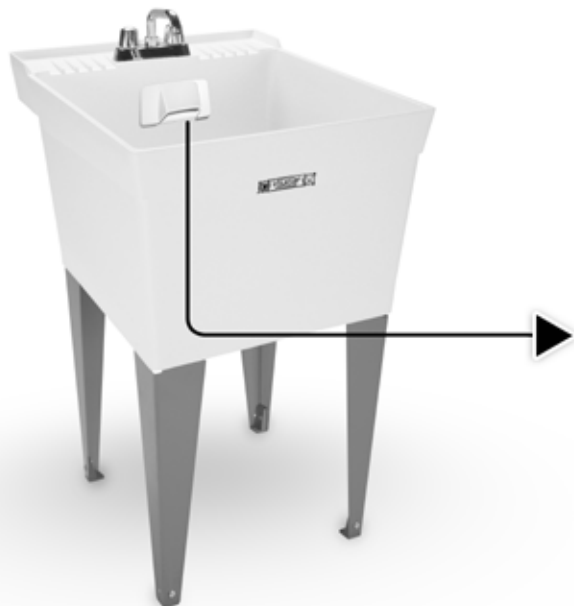
Notice: Our continuous commitment to product improvement may result in changes to product specifications without notice. Patents pending. Made and Printed in U.S.A.



MUSTEE

Preferred by the "Pros"

14CP UTILATUB® Combo Laundry/Utility Tub Accessories



HandiFlo™ Fitting



▶ HandiFlo™ Fitting



Model No.

UPC

94.700

6 71031 00287 7

Dispenses water from washing machine discharge hose into laundry tub. Eliminates draping washer machine hose over back/side wall of laundry tub and conceals discharge hose. Mounts to back or side wall of laundry tub, includes mounting hardware.



MUSTEE

E.L. Mustee & Sons, Inc. • 5431 West 164th Street • Brook Park, OH 44142 • Phone: 216.267.3100 • Fax: 216.267.9997
E-mail: info@mustee.com • Web: www.mustee.com • Proudly made in the USA

Notice: Our continuous commitment to product improvement may result in changes to product specifications without notice.
Patents pending. Made and Printed in U.S.A.