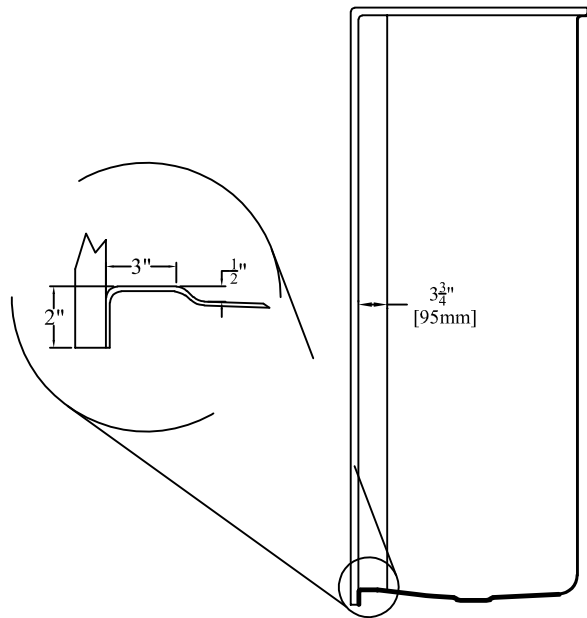
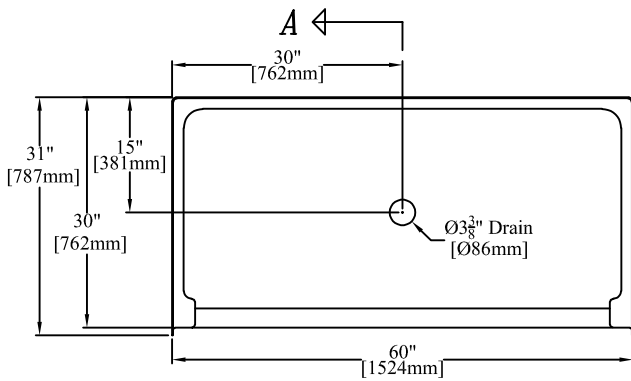


ELEVATION



SECTION "A-A"



PLAN

60" [1524mm] Barrier-Free Shower
w/ 2" [51mm] Threshold

CENTER DRAIN

PRODUCT SPECIFICATIONS:

- * Barrier-Free installation can be achieved by recessing the unit 2" [51mm]
- * Special installation instructions for this unit must be followed carefully.
- * Certified to meet CSA B45.5/IAPMO Z124 Standard.
- * Product has a Class B fire rating as determined by ASTM E-84 test method.
- * Reinforced & slip resistant floor.
- * Integral 1" [25mm] nailing flange.
- * Door Opening: W-53 3/4" [1365mm]
H-74 1/4" [1886mm]
- * All dimensions +/- 1/2" [12.8mm]
- * Clarion Bathware reserves the right to change design and/or dimensions.
- * Dimensions are the same for RE, MP, and all other versions of this model.

6030BF

60" [1524mm] Barrier-Free Shower w/ 2" [51mm] Thresholds & Center Drain

Clarion

BATHWARE
44 Amsler Ave.
Shippenville, PA 16254

Phone: (814) 226-5374
Toll Free: (800) 576-9228
Fax: (814) 226-0730
www.clarionbathware.com

Signatures For Approval:

Customer: _____
Arch./Engr: _____

Date: _____

Dwg. #
6030BF-CUT

Quote #: _____
Job Name: _____

Dwg. By: CAL
DATE: 4/28/2021

***** IMPORTANT NOTICE *****

Clarion Bathware reserves the right to change the design and/or dimensions of its products at any time. This drawing may have been updated since this publication was issued. Before placing an order for any product, refer to our website at www.clarionbathware.com to obtain the most current drawings for any products that you wish to purchase. Compare the date of revision of the drawing that you have with the one on the drawing on our website. If you do not have internet access, please call your sales representative or Clarion Bathware's sales department at 1-800-576-9228.