

**Studio® 60" x 32" Bathing Pool With Apron**

- 2946102 BATHING POOL**  
Right Drain
- 2946202 BATHING POOL**  
Left Drain

**Product Features:**

- High-gloss acrylic with fiberglass reinforcement
- Integral apron with clean, minimalist design
- Integral three-sided, 1" tiling/water retention flange helps prevent water seepage
- For recess installation
- Pre-leveled tub bottom for easier installation
- Limited Lifetime warranty

**Nominal Dimensions:**

60" x 32" x 18"  
(1524 x 813 x 457mm)

**For use with:**

- 2946.BW Studio Bath Wall Set  
(011 Arctic White Only)
- Bathing Pool can also be installed without Studio® wall set

**Compliance Certifications - Meets or Exceeds the Following Specifications:**

- CSA B45.5-11 / IAPMO Z124-2011
- cUPC

**To Be Specified - Required**

- Color:
  - 020 White
  - 011 Arctic White
- Bath Faucet\*:
- Faucet Finish:
- Drain\*:
- Drain Finish:

**To Be Specified - Optional**

- Studio Bath Walls: 2946BW

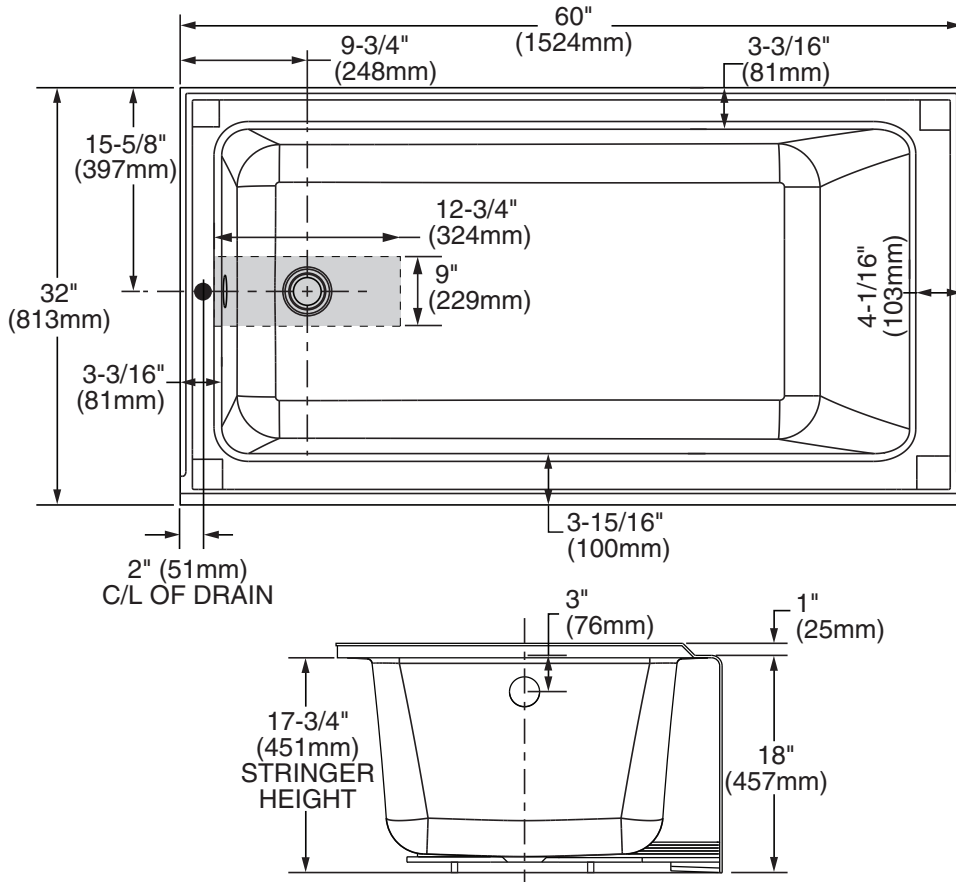
\*See American Standard faucet and drain section of Product Selector

**ADA** MEETS THE AMERICANS WITH DISABILITIES ACT GUIDELINES AND ANSI A117.1 REQUIREMENTS FOR ACCESSIBLE AND USEABLE BUILDING FACILITIES-CHECK LOCAL CODES. INSTALL WITH SEAT AT HEAD END.



**Studio Bathing Pool shown with 2946.BW Studio wall set**

SEE REVERSE FOR ROUGHING-IN DIMENSIONS AND PRODUCT SPECIFICATIONS



<b>GENERAL SPECIFICATIONS FOR 2946102/202 TUB</b>	
INSTALLED SIZE	60 x 32 x 18 In. (1524 x 813 x 457mm)
WEIGHT	60 Lbs. (27 Kg)
WEIGHT w/WATER	493 Lbs. (224 Kg)
GAL. TO OVERFLOW	52 Gal. (197 L)
BATHING WELL AT SUMP	22 x 44.5 In. (559 x 1130mm)
BATHING WELL AT RIM	25 X 53 In. (635 x 1346mm)
WATER DEPTH TO OVERFLOW	12 In. (305mm)
FLOOR LOADING (PROJECTED AREA)	37 Lbs./Sq.Ft. (181 Kgs/Sq.m)
PTS.	27.5
CUBE (FT <sup>3</sup> )	28.9

**NOTES:**

- BATH TO BE INSTALLED ABOVE FLOOR LINE AS A RECESS INSTALLATION.
- REFER TO INSTALLATION INSTRUCTIONS SUPPLIED WITH TUB FOR ADDITIONAL INFORMATION.
- FITTINGS NOT INCLUDED AND MUST BE ORDERED SEPARATELY.
- PROVIDE SUITABLE REINFORCEMENT FOR ALL SUPPORTS.
- MOUNTING HOLES DRILLED BY INSTALLER.

**IMPORTANT:** Dimensions of fixtures are nominal and may vary within the range of tolerances established by ANSI Standard CSA B45.5-11/IAPMO Z124-2011. These measurements are subject to change or cancellation. No responsibility is assumed for use of superseded or voided pages.