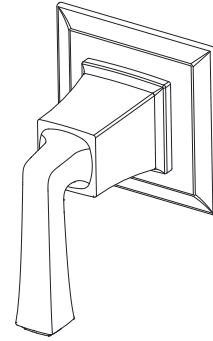


*American Standard*

# INSTALLATION INSTRUCTIONS

## TOWN SQUARE® S DIVERTER TRIM KIT

T455430

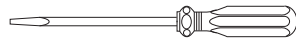


Certified to comply with ANSI A112.18.1M

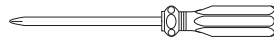
Thank you for selecting American Standard...  
the benchmark of fine quality for over 140 years.

To ensure that your installation proceeds smoothly-please read  
these instructions carefully before you begin.

### RECOMMENDED TOOLS



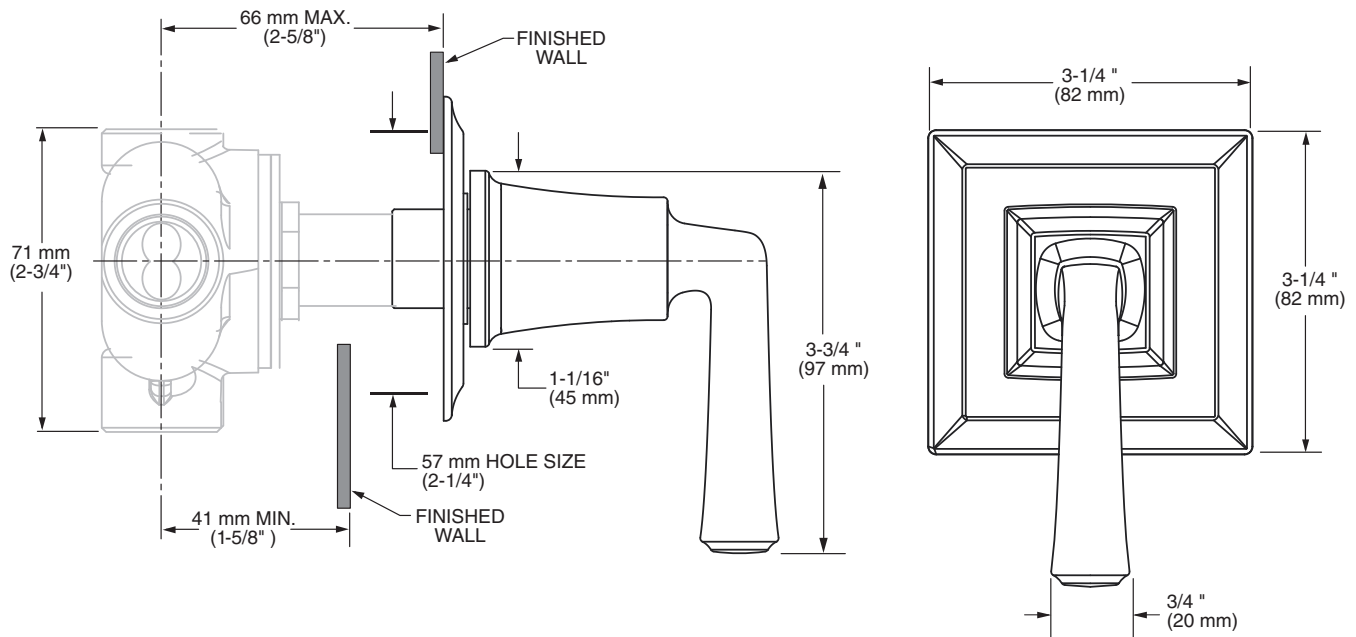
Flat Blade Screwdriver



Phillips Screwdriver

### ROUGHING-IN DIMENSIONS

ALL CONNECTIONS 1/2" (13 mm) NPT



### CARE INSTRUCTIONS:

- To keep your new faucet looking new, please follow these simple care instructions:

#### DO:

- Simply rinse the faucet clean with clear water.
- Dry the faucet with a soft cotton cloth.

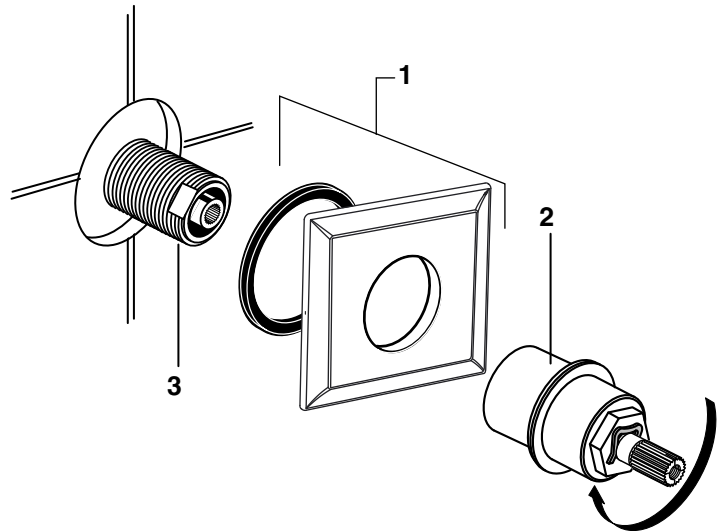
#### DO NOT:

- Do not use any abrasive cleaners, cloths, or paper towels.
- Do not use any cleaning agents containing acids, polish abrasives, or harsh cleaners or soaps.
- Regular and routine cleaning will reduce the need for heavy cleaning and polishing. If heavy cleaning is required, the following procedures are recommended:

- Remove as much surface dirt and film using clear water and soft cotton cloth (as described above).
  - Use any of the following to remove tough surface film and build-up:
    - Mild liquid detergents
    - Clear ammonia free liquid glass cleaners
    - Non-acidic, non-abrasive gentle liquid or fully dissolved powder cleansers mixed according to manufacturers directions.
    - Non-abrasive liquid polishers
- Once clean, rinse faucet again with clear water to thoroughly remove cleaner or polish and blot dry with a soft cotton cloth.

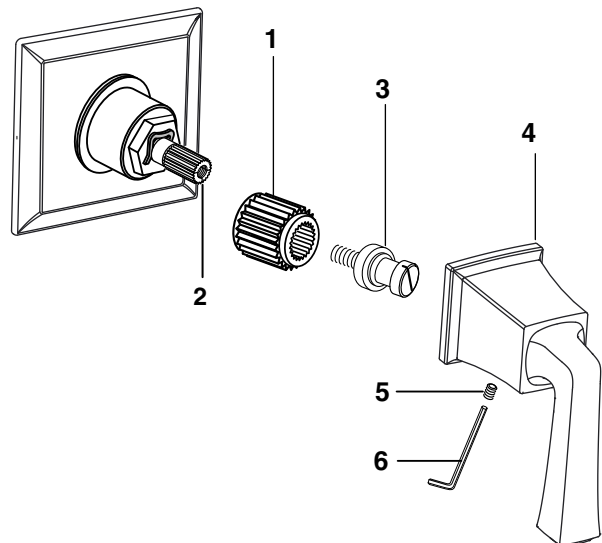
## 1 TRIM INSTALLATION

- Place ESCUTCHEON (1) onto ESCUTCHEON HOLDER (2).
- Align ESCUTCHEON (1). Thread ESCUTCHEON HOLDER (2) onto DIVERTER VALVE (3).
- Tighten until ESCUTCHEON (1) is snug against finished wall.



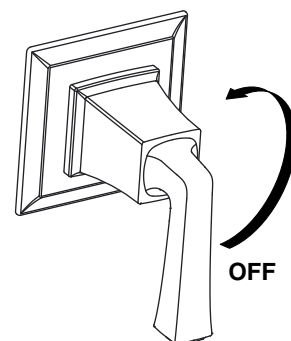
## 2 HANDLE INSTALLATION

- Install KNOB MOUNT (1) onto VALVE STEM (2).
- Thread HANDLE SCREW (3) into VALVE STEM (2) and tighten.
- Align HANDLE (4, 4a) and push onto KNOB MOUNT (1).
- Tighten SET SCREW (5) in handle with HEX WRENCH (6) SUPPLIED.



## 3 OPERATING THE VALVE

- Turn water supply on and test installed fitting.
- Rotate handle to all diverter positions to check operation of valve.
- Check for leaks.



*American Standard*

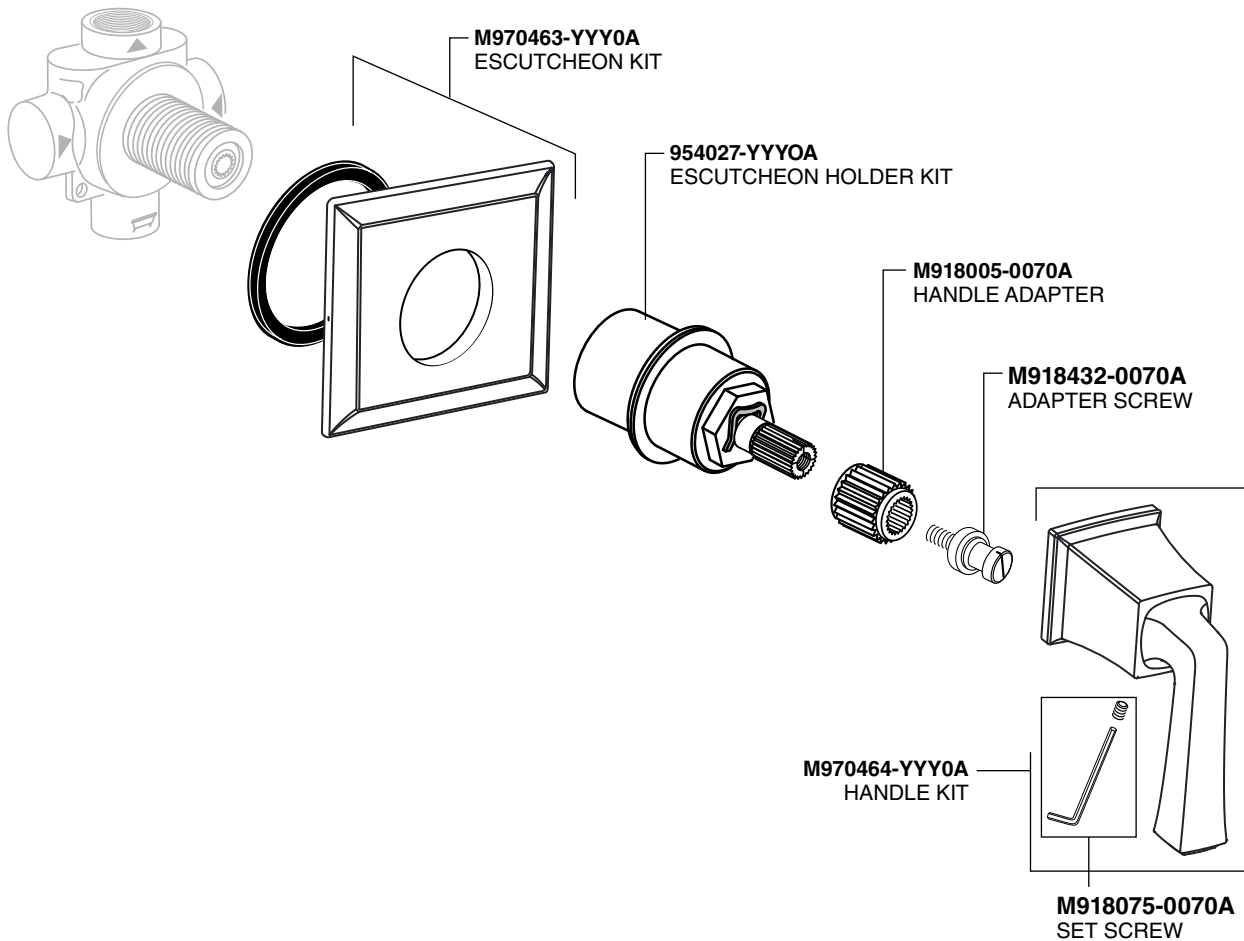
**TOWN SQUARE® S**  
**DIVERTER TRIM KIT**

MODEL NUMBER

**T455430**

Replace the "YYY" with appropriate finish code

POLISHED CHROME	002
BRUSHED NICKEL	295
LEGACY BRONZE	278
POLISH NICKEL	013



**HOT LINE FOR HELP**

For toll-free information and answers to your questions, call:  
1 (800) 442-1902

Mon. - Fri. 8:00 a.m. to 8:00 p.m. EST

Saturday 10:00 a.m. to 4:00 p.m. EST

IN CANADA 1-800-387-0369

(TORONTO 1-905-306-1093)

Weekdays 8:00 a.m. to 7:00 p.m. EST

IN MEXICO 01-800-839-1200



PART OF **LIXIL**