

Freezeless Utility & Sanitary Yard Hydrants

All Sanitary, Thermaline and H34 hydrants comply with the Safe Drinking Water Act effective 1/4/14

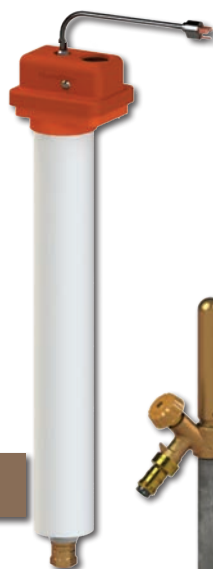


S3 Sanitary



S4H Sanitary
-ADA-

Thermaline®



H34



Freezeless, Low Lead, Sanitary Yard Hydrants are designed to produce immediate water flow in sub-zero temperatures.

- Specify for use in public areas such as camp grounds and parks or any location where potable water and low lead construction is required
- Hydrants are completely sealed to prevent ground water from entering the reservoir or service line
- Diverter spout allows independent water flow when hose is attached to backflow preventer
- The S4H meets ADA requirements for height and 5 lbs. maximum operating force

The Thermaline®, **Low Lead, Sanitary Water Connector** is a compact unit especially designed to provide water service to mobile homes in freezing conditions.

- Ideal wherever a freezeless sanitary tight line installation is needed, such as, waterers for livestock
- High strength plastic casing is insulated with permanently molded and bonded polyurethane foam
- 15 watt (110-120v) portable insert heater, which costs about a penny a day to operate even at 50° below zero
- Wheel handle at surface level shuts off water below the frost line when hydrant is not in use

The Model H34, **Low Lead, Sanitary** is a non-draining hydrant that features a thermostatically controlled heating element that prevents water in the hydrant from freezing even at temperatures down to 20 degrees below zero.

- One foot bury depth closed system design

Utility Hydrants are rugged and dependable with unrestricted and high capacity flow. Ideal for filling large vessels and for wash down purposes. Choose from Automatic or Manual close handle or Wheel handle models. Outlet connections from 3/4" NPT - 2" NPT. See page 2 & 5 for details.

Scan For Specifications,
Installation and
Troubleshooting



For information, please contact:

Freezeless Sanitary & Utility Yard Hydrants Model / Specifications



MODEL	Pipe Inlet	Galv. Steel Pipe Casing	Specifications
S3-LL Low Lead Sanitary	1" N.P.T. Female	1 1/4"	<ul style="list-style-type: none"> Low Lead <i>Complies with Safe Drinking Water Act effective 1/4/14</i> ASSE 1052 Nidel® Model 37HF Double Check Backflow Preventer Automatic draining Diverter Vent (Patent number 5,701,825) 3/8" galvanized steel operating pipe w/brass stem 4" Sch 80 PVC reservoir pipe Optional: ASSE 1057 Approved Device-Single Check vacuum Breaker (Suffix SC)
S4H-LL Sanitary Low Lead ADA Compliant	1" N.P.T. Female	1 1/4"	<ul style="list-style-type: none"> Low Lead <i>Complies with Safe Drinking Water Act effective 1/4/14</i> Meets ADA requirements for height and 5 lbs. Max operating force ASSE 1052 Nidel® Model 37HF Double Check Backflow Preventer Automatic draining Flow Diverter (Patent number 5,701,825) Push down and hold spring return handle to operate 3/8" galvanized steel operating pipe w/brass stem 3" Sch 80 PVC reservoir pipe Venturi designed shut-off valve Self Closing Optional: ASSE 1057 Approved Device-Single Check vacuum Breaker (Suffix SC)
Thermaline®-LL Low Lead Electric Heater	3/4" N.P.T. Female	1"	<ul style="list-style-type: none"> Low Lead <i>Complies with Safe Drinking Water Act effective 1/4/14</i> Brass head casting with 3/4" female pipe thread outlet Polypropylene rigid structural foam cover 15 watt (110-120v) portable insert heater with 3 prong plug 1/4" galvanized steel operating pipe Molded polyurethane foam insulation
H Models Low Lead Electric Heater	1" N.P.T. Male	1"	<ul style="list-style-type: none"> Low Lead <i>Complies with Safe Drinking Water Act effective 1/4/14</i> 1' Bury Only ASSE 1057 Approved hydrant
H34-LL	3' long cord standard		<ul style="list-style-type: none"> *ASSE 1052 Nidel® Model 50HF High Flow Double Check Backflow Preventer
H34-C12-LL	12' long cord		<ul style="list-style-type: none"> Thermostatically controlled 65 watt, 120 volt, 60 cycle, low watt density heating element. ON @ 80°. OFF @ 90°
H34-C25-LL	25' long cord		<ul style="list-style-type: none"> Shipping Weight: 13 Lbs each
U34 Utility Hydrant	3/4" N.P.T. Female	1"	<ul style="list-style-type: none"> 3/4" Brass Hose Thread Spout Handle: Automatic (A) or Manual (M)
U75 Utility Hydrant	3/4" N.P.T. Female	1"	<ul style="list-style-type: none"> 3/4" N.P.T. Female Outlet Handle: Automatic (A) or Manual (M)
U100 Utility Hydrant	1" N.P.T. Female	1 1/4"	<ul style="list-style-type: none"> 1" N.P.T. Female Outlet Handle: Automatic (A), Manual (M) or Wheel (W)
U125 Utility Hydrant	1 1/4" N.P.T. Male	1 1/4"	<ul style="list-style-type: none"> 1 1/4" N.P.T. Female Outlet Handle: Automatic (A), Manual (M) or Wheel (W)
U150 Utility Hydrant	1 1/2" N.P.T. Female	1 1/2"	<ul style="list-style-type: none"> 1 1/2" N.P.T. Female Outlet Handle: Manual (M) or Wheel (W)
U200 Utility Hydrant	2" N.P.T. Female	2"	<ul style="list-style-type: none"> 2" N.P.T. Female Outlet Handle: Manual (M) or Wheel (W)

See page 6 for all shipping weights

S3 Bury Schedule

Bury Depth	1'	2'	3'	4' *	5' *	6' *	7' *
Reservoir Depth	10 1/2"	11 7/8"	13 1/4"	14 5/8"	16"	17 3/8"	18 3/4"
Overall Bury Depth	22 1/2"	35 7/8"	49 1/4"	62 5/8"	76"	89 3/8"	102 3/4"

* Must ship by truck line due to length.

S4H Bury Schedule

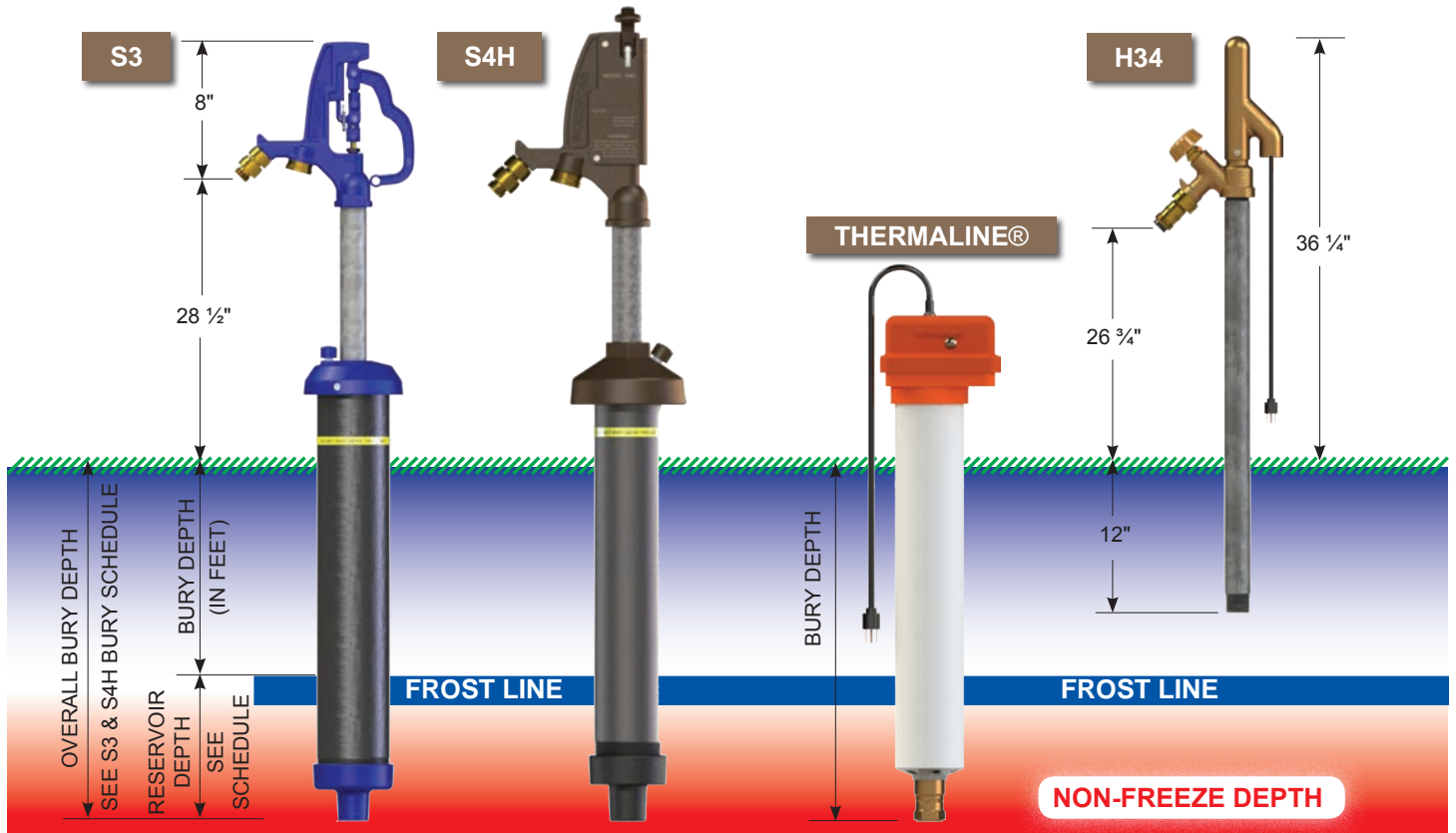
Bury Depth	1'	2'	3'	4' *	5' *	6' *	7' *
Reservoir Depth	12"	13 5/8"	15 3/8"	17"	18 7/8"	20 1/2"	22 1/4"
Overall Bury Depth	24"	37 5/8"	51 3/8"	65"	78 7/8"	92 1/2"	106 1/4"

* Must ship by truck line due to length.

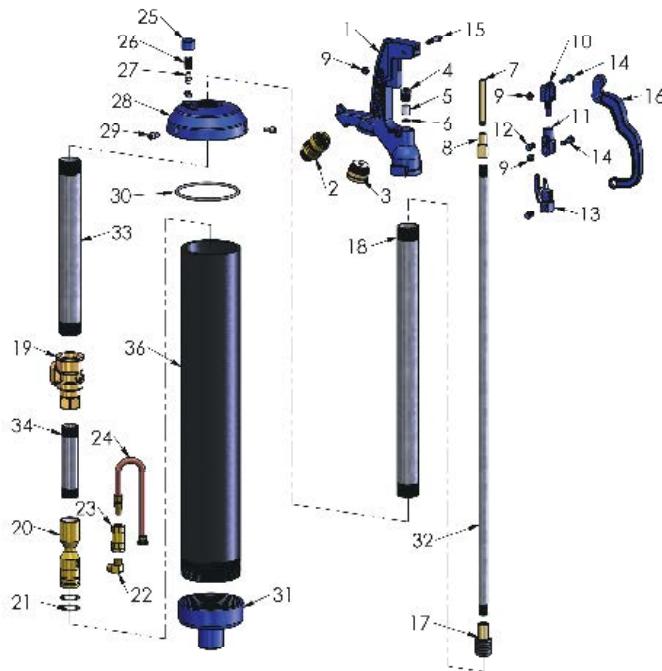
Utility Hydrants Operating Rods

U34 Operating Pipe (Lever Handle)			U100/U125 Operating Pipe (Lever Handle)			U200 Operating Pipe (Lever Handle)			U150 Operating Pipe (Wheel Handle)		
56	42128	1' Bury (25 1/2" Long)	58	42126	1' Bury (31 1/4" Long)	60	42177	1' Bury (37 13/16" Long)	62	42163	1' Bury (39 7/16" Long)
	42129	2' Bury (37 1/2" Long)		42107	2' Bury (43 1/4" Long)		42178	2' Bury (49 13/16" Long)		42164	2' Bury (51 7/16" Long)
	42130	3' Bury (49 1/2" Long)		42108	3' Bury (55 1/4" Long)		42179	3' Bury (61 13/16" Long)		42165	3' Bury (63 7/16" Long)
	42131	4' Bury (61 1/2" Long)		42109	4' Bury (67 1/4" Long)		42180	4' Bury (73 13/16" Long)		42166	4' Bury (75 7/16" Long)
	42132	5' Bury (73 1/2" Long)		42110	5' Bury (79 1/4" Long)		42181	5' Bury (85 13/16" Long)		42167	5' Bury (87 7/16" Long)
	42133	6' Bury (85 1/2" Long)		42111	6' Bury (91 1/4" Long)		42182	6' Bury (97 13/16" Long)		42168	6' Bury (99 7/16" Long)
	42134	7' Bury (97 1/2" Long)		42112	7' Bury (103 1/4" Long)		42183	7' Bury (109 13/16" Lg.)		42169	7' Bury (111 7/16" Long)
U75 Operating Pipe (Lever Handle)			U150 Operating Pipe (Lever Handle)			U100/125 Operating Pipe (Wheel Handle)			U200 Operating Pipe (Wheel Handle)		
57	42125	1' Bury (24 1/8" Long)	59	42127	1' Bury (37 9/16" Long)	61	42156	1' Bury (33 11/16" Long)	63	42170	1' Bury (40 3/16" Long)
	42101	2' Bury (36 1/8" Long)		42113	2' Bury (49 9/16" Long)		42157	2' Bury (45 11/16" Long)		42171	2' Bury (52 3/16" Long)
	42102	3' Bury (48 1/8" Long)		42114	3' Bury (61 9/16" Long)		42158	3' Bury (57 11/16" Long)		42172	3' Bury (64 3/16" Long)
	42103	4' Bury (60 1/8" Long)		42115	4' Bury (73 9/16" Long)		42159	4' Bury (69 11/16" Long)		42173	4' Bury (76 3/16" Long)
	42104	5' Bury (72 1/8" Long)		42116	5' Bury (85 9/16" Long)		42160	5' Bury (81 11/16" Long)		42174	5' Bury (88 3/16" Long)
	42105	6' Bury (84 1/8" Long)		42117	6' Bury (97 9/16" Long)		42161	6' Bury (93 11/16" Long)		42175	6' Bury (100 3/16" Long)
	42106	7' Bury (96 1/8" Long)		42118	7' Bury (109 9/16" Lg.)		42162	7' Bury (105 11/16" Lg.)		42176	7' Bury (112 3/16" Long)

Freezeless Sanitary Yard Hydrants Rough-In / Parts List



S3		
ITEM	PART#	DESCRIPTION
	15219	S3 Head Assembly (Includes Items 1-16)
1	10449	Head
2	37HF-BR	37HF Backflow Preventer
3	15220	Diverter Assembly
4	10100	Packing Nut
5	10101	Packing
6	10102	Packing Support Washer
7	10104	Brass Rod Stem
8	10011	Reducing Coupling
9	10206	Hex Nut
10	10444	Upper Link
11	15211	Lower Link (with set screw 10019)
12	10019	Set Screw
13	15241	Cam and Clevis Assembly (blue)
14	10020	Link Bolt
15	10021	Lever Bolt
16	10443	Lever
17	10106	Plunger
18	10285	Upper Pipe
19	10017	Valve Body (1" NPT Inlet)
20	15189	Venturi Assembly
21	10321	Valve Body O-Ring (2 Required)
22	10432	Brass Elbow
23	10408	Check Valve
24	15216	Siphon Tube Assembly
25	10446	Vent Cap
26	10445	3/8" Pipe Nipple
27	15136	Snifter Valve
28	15218	Casing Cover w/Warning Label
29	10409	Reservoir Clamp Screw (3)
30	10410	Reservoir O-Ring
31	10401	Inlet Casting
	RK-Y1	Repair Kit (Includes Items 4-7 & 17)
	RK-SHL	Repair Kit (Includes Items 9-15)



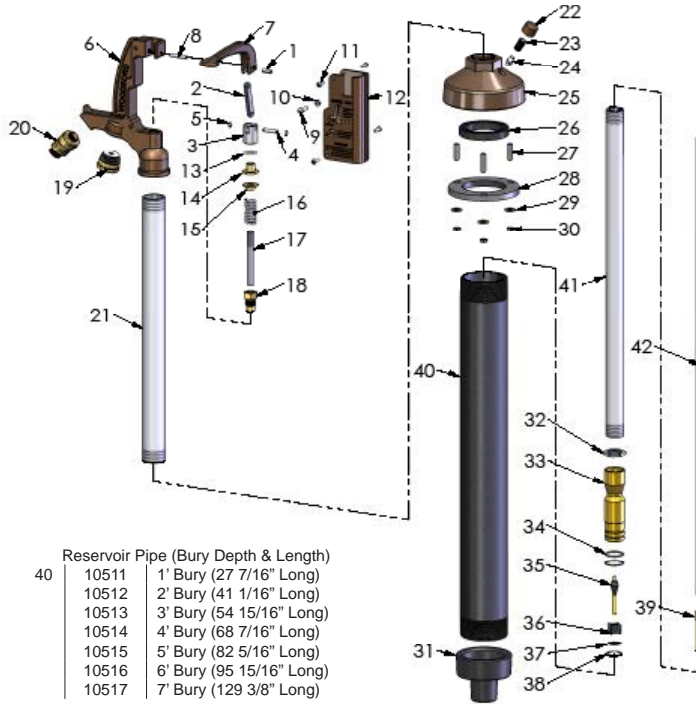
Operating Pipe (Bury Depth & Length)		
32	10023	1' Bury (35 1/2" Long)
	10024	2' Bury (47 1/2" Long)
	10025	3' Bury (59 1/2" Long)
	10026	4' Bury (71 1/2" Long)
	10027	5' Bury (83 1/2" Long)
	10028	6' Bury (95 1/2" Long)
	10029	7' Bury (107 1/2" Long)

1 1/4" Pipe Casing (Bury Depth & Length)		
33	10055	1' Bury (35 1/2" Long)
	10056	2' Bury (47 1/2" Long)
	10057	3' Bury (59 1/2" Long)
	10058	4' Bury (71 1/2" Long)
	10059	5' Bury (83 1/2" Long)
	10060	6' Bury (95 1/2" Long)
	10061	7' Bury (107 1/2" Long)

1" Extension Pipe (Bury Depth & Length)		
34	10411	1' Bury (5 3/4" Long)
	10412	2' Bury (7" Long)
	10413	3' Bury (8 3/4" Long)
	10414	4' Bury (9 3/4" Long)
	10415	5' Bury (11 1/4" Long)
	10416	6' Bury (12 1/4" Long)
	10417	7' Bury (13 1/4" Long)

Reservoir Pipe (Bury Depth & Length)		
35	10421	1' Bury (26" Long)
	10422	2' Bury (39 1/4" Long)
	10423	3' Bury (52 3/4" Long)
	10424	4' Bury (66" Long)
	10425	5' Bury (79 1/4" Long)
	10426	6' Bury (92 3/4" Long)
	10427	7' Bury (106 1/4" Long)
	15201	Warning Label Kit

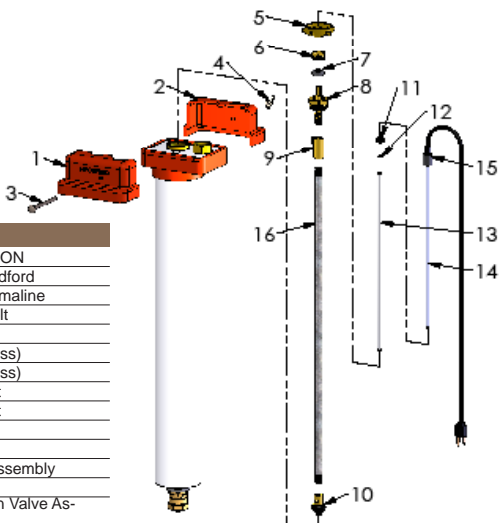
Freezeless Sanitary Yard Hydrants Parts Lists



- 40 Reservoir Pipe (Bury Depth & Length)**
- 10511 1' Bury (27 7/16" Long)
 - 10512 2' Bury (41 1/16" Long)
 - 10513 3' Bury (54 15/16" Long)
 - 10514 4' Bury (68 7/16" Long)
 - 10515 5' Bury (82 5/16" Long)
 - 10516 6' Bury (95 15/16" Long)
 - 10517 7' Bury (129 3/8" Long)
- 41 Lower Pipe (Bury Depth & Length)**
- 10501 1' Bury (25 1/8" Long)
 - 10502 2' Bury (38 3/4" Long)
 - 10503 3' Bury (52 1/2" Long)
 - 10504 4' Bury (66 1/8" Long)
 - 10505 5' Bury (80" Long)
 - 10506 6' Bury (93 5/8" Long)
 - 10507 7' Bury (107 3/8" Long)

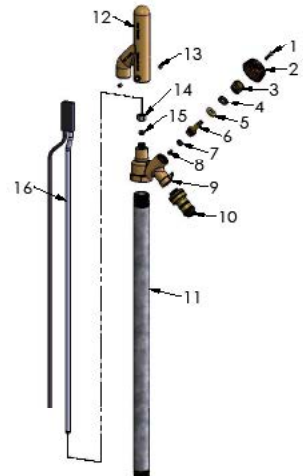
- 42 Operating Pipe (Bury Depth & Length)**
- 10521 1' Bury (47 1/8" Long)
 - 10522 2' Bury (60 3/4" Long)
 - 10523 3' Bury (74 1/2" Long)
 - 10524 4' Bury (88 1/8" Long)
 - 10525 5' Bury (102" Long)
 - 10526 6' Bury (115 5/8" Long)
 - 10527 7' Bury (129 3/8" Long)

S4H		
ITEM	PART #	DESCRIPTION
	15137	Operating Link Assembly (Includes Items 1-5)
1	50040	Roll Pin
2	10375	Clevis Link
3	10376	Clevis
4	10377	Clevis Pin
5	10319	E-Ring (2)
6	10552	S4H Head
7	10553	Handle
8	10551	Handle Pin
9	10328	Stop Screw
10	10329	Jam Nut
11	10336	Head Cover Screws (4)
12	15240	Head Cover
13	10307	Washer
14	10308	Swivel Nut
15	10494	Lock Nut
16	10465	Operating Rod Extension
17	10489	Spring
18	15232	Packing Nut Assembly
19	15220	Diverter Assembly
20	37HF-BR	37HF Backflow Preventer
21	10496	Upper Pipe
22	10555	Vent Cap
23	10556	3/8" Pipe Nipple
24	15136	Snifter Valve
25	10554	Casing Cover
26	10491	Cup Gasket
27	10534	Threaded Stud (3)
28	10483	Reservoir Flange
29	10332	Flat Washer (3)
30	10331	Hex Nut (3)
31	10482	Inlet Casting
32	10334	1" Lock Nut
33	15233	Venturi Assembly
34	10321	Venturi O-Rings (2)
35	15134	Valve Plug
36	10322	Valve Plug Guide
37	10469	Inlet Screen
38	10323	Snap Ring #3000
39	10497	Coupling



THERMALINE		
ITEM	PART#	DESCRIPTION
1	80055	Cover, Woodford
2	80056	Cover, Thermaline
3	80073	Carriage Bolt
4	80068	Wing Nut
5	80014	Handle (Brass)
*5a	80013	Handle (Brass)
6	80017	Packing Nut
*6a	80005	Packing Nut
7	30247	Packing
*7a	80008	Packing
8	85064	Head Nut Assembly
9	80066	Yoke Nut
10	85015	Combination Valve Assembly
**11	80062	Heater Well Thumb Nut
12	80063	Heater Well Washer
**13	85001	1' Heater Well Assembly
13a	85002	2' Heater Well Assembly
**14	85061	1' Heater Assembly (Includes 15)
14a	85062	2' Heater Assembly (Includes 15)
15	80061	Heater Cover
RK-THERM Repair Kit (Includes Items 5-12)		

- 16 Operating Pipe (For Brass Head)**
- 80081 1' Bury (11-1/8" long)
 - 80082 2' Bury (23-1/8" long)
 - 80083 3' Bury (35-1/8" long)
 - 80084 4' Bury (47-1/8" long)
 - 80085 5' Bury (59-1/8" long)
 - 80086 6' Bury (71-1/8" long)
 - 80087 7' Bury (83-1/8" long)
- 16a Operating Pipe (For Cast Iron Head)**
- 80031 1' Bury (9-3/8" long)
 - 80032 2' Bury (21-3/8" long)
 - 80033 3' Bury (33-3/8" long)
 - 80034 4' Bury (45-3/8" long)
 - 80035 5' Bury (57-3/8" long)
 - 80036 6' Bury (69-3/8" long)
 - 80037 7' Bury (81-3/8" long)

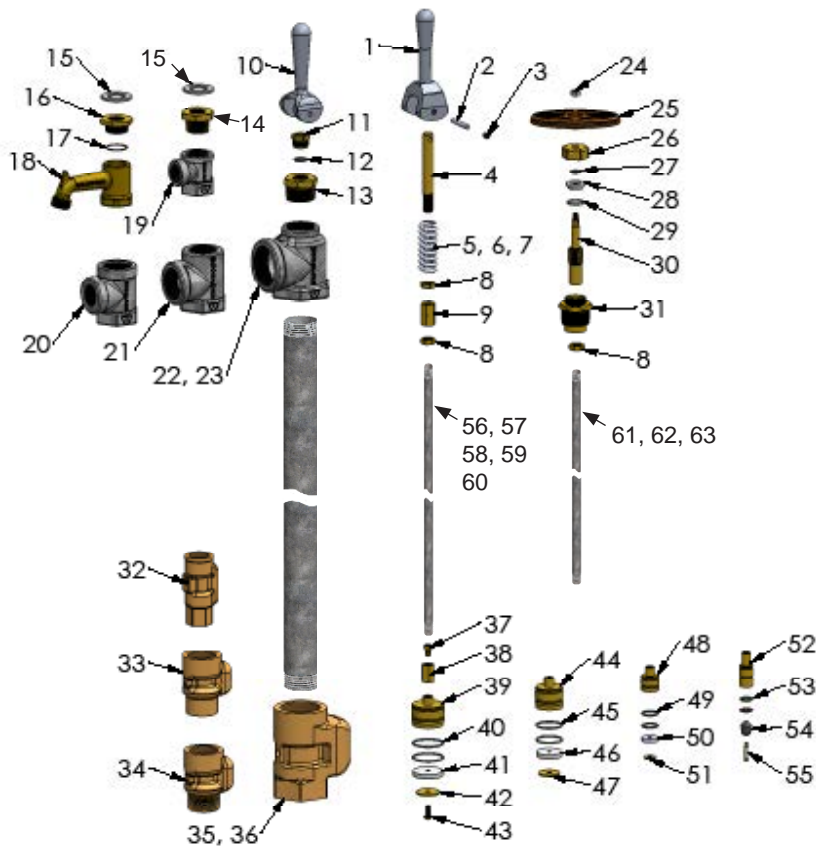
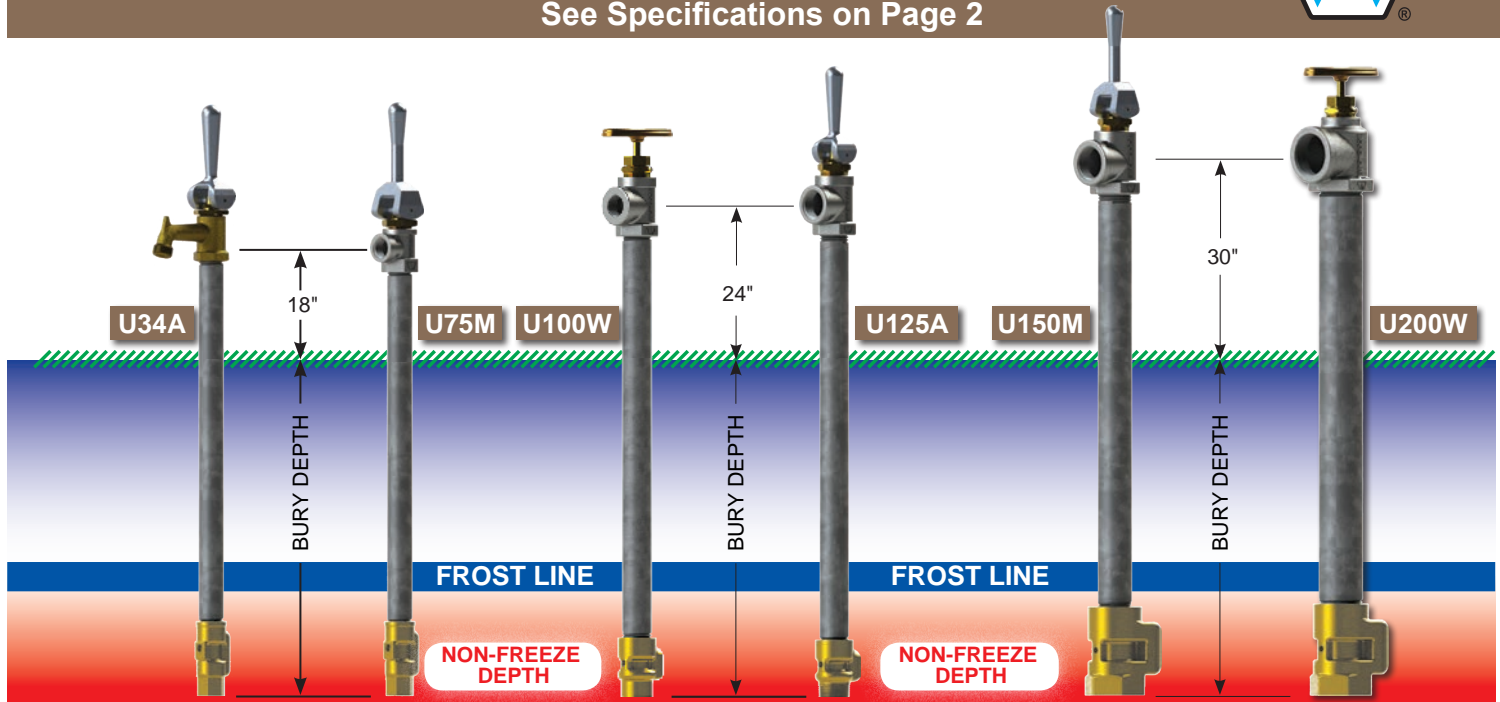


H34		
ITEM	PART#	DESCRIPTION
1	30002	Handle Screw
2	30233	Wheel Handle
3	30107	Packing Nut
4	30247	EPDM Packing
5	30105	Packing Washer
6	30104	Operating Stem
7	30008	Washer
8	30009	Washer Screw
9	10542	H34 Head
10	50HF-BR	50HF Backflow Preventer - Brass
11	10610	1" Pipe Casing
12	10541	H34 Heater Cover
13	10544	Compression Nut
14	10545	Compression Sleeve
15	10546	Set Screw (2)
16	10543	H34 Heater Assembly - includes 3' Cord
16a	10599	H34 Heater Assembly - includes 12' Cord
16b	10560	H34 Heater Assembly - includes 25' Cord
RK-H34 Repair Kit (Includes Items 1-8)		
RK-HTR Repair Kit (Includes Items 13-16)		

* Parts 5a, 6a & 7a cannot be used with 85064 Head Nut Assembly. (For units sold before 6/1/2011)
 ** Old style heaters originally used in Thermalines with cast iron covers are replaced by items 11, 13 and 14. (Includes Item 12)

Utility Hydrant Rough-In/Parts

See Specifications on Page 2



Items 56-63 Operating Rod lengths are listed on page 2

PART#	DESCRIPTION
41018	U34/U75 Plunger Repair Kit (Items 37, 38, 52-55)
41060	U100/U125 Plunger Repair Kit (Items 37,38, 43, 48-51)
41083	U150 Plunger Repair Kit (Items 37,38, 43, 44-47)
41093	U200 Plunger Repair Kit (Items 37-43)

UTILITY HYDRANTS

ITEM	PART#	DESCRIPTION
1	41025	(M) Manual Close Handle
2	41202	Handle Pin
3	41201	Set Screw
4	41632	Stem
5	41033	Spring (U34 & U75)
6	41068	Spring (U100 & U125)
7	41102	Spring (U150 & U200)
8	41624	1/4" NPSM Locknut
9	41631	Coupling
10	41037	(A) Automatic Close Handle (N/A U150 & U200)
11	41029	Packing Nut
12	41014	O-Ring
13	41067	Bonnet Nut
14	41043	Bonnet Nut (75)
15	40040	Bearing Washer
16	41031	Bonnet Nut (U34)
17	50011	O-Ring (U34)
18	41036	Spout Head (U34)
19	41044	3/4" Head (U75)
20	41041	1" Head (U100)
21	41070	1 1/4" Head (U125)
22	41084	1 1/2" Npt Tee (U150)
23	41095	2" Npt Tee (U200)
24	10206	5/16" Nut
25	41144	Wheel Handle
26	41005	Bonnet Nut
27	41215	O-Ring
28	41007	Packing Gland
29	41056	O-Ring
30	41145	Stem Screw
31	41061	Stuffing Box
32	41021	Valve Body (U34 & U75)
33	41040	Valve Body (U100)
34	41064	Valve Body (U125)
35	41086	1 1/2" Valve Body (U150)
36	41097	2" Valve Body (U200)
37	41013	Swivel Screw
38	41012	Swivel Coupling
39	41089	Plunger (U200)
40	41090	O-Ring (2-Req'd) (U200)
41	41091	Rubber Seat Washer (U200)
42	41092	Brass Washer (U200)
43	41059	Screw
44	41078	Plunger (U150)
45	41079	O-Ring (2-Req'd) (U150)
46	41080	Rubber Seat Washer (U150)
47	41081	Brass Washer (U150)
48	41055	Plunger (U100 & U125)
49	41056	O-Ring (2) (U100 & U125)
50	41057	Rubber Seat Washer (U100 & U125)
51	41058	Brass Washer (U100 & U125)
52	41015	Plunger (U34 & U75)
53	41014	O-Rings (2) (U34 & U75)
54	41016	Fuller Ball (U34 & U75)
55	41017	Fuller Ball Screw (U34 & U75)

Freezeless Sanitary & Utility Yard Hydrants Information



NOTICE

• All Yard Hydrants, except the H34, must be buried so that the valve body is located below the frost line for proper draining.

- All hydrants are intended For Irrigation and Outdoor Watering.
- All hydrants are not recommended for continuous use.
- All specifications are subject to change without notice.

Visit our website for Patent Information, Individual Spec. Sheets, Installation and Troubleshooting Instructions
www.woodfordmfg.com or call 1-800-621-6032

Limited Warranty

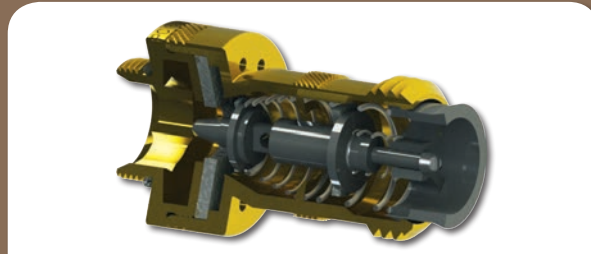
All hydrants shown in this brochure are sold with a limited warranty for one year against defects in material and workmanship. We will replace or issue credit (at our option) for defective goods that are returned for inspection and found to be defective within one year of purchase from Woodford.

SHIPPING WEIGHTS (Lbs)

Model / Bury Depth (Ft)	1	2	3	4	5	6*	7*
S3	36	42	48	54	59	65	71
S4H	36	40	45	49	54	58	62
Thermaline®	7	9	12	14	17	19	22
U34	9	11	13	15	17	19	21
U75	8	10	12	14	16	18	20
U100	12	15	18	20	23	26	29
U125	13	16	19	22	25	28	31
U150	20	23	26	29	32	36	39
U200	25	29	33	37	41	45	49

*6' & 7' hydrants must ship by truck line due to length.

*NIDEL® Model 50HF Backflow Preventer



The patented NIDEL® Model 50HF high flow double check backflow preventer is standard equipment on specified Roof Hydrant models. It is intended for irrigation and outdoor watering and is designed to protect hose connections from backflow contamination in freezing and non-freezing conditions.

The Model 50HF automatically drains when the hose is removed and unlike single check vacuum breakers can be field tested for reliability.

- ASSE 1052 Approved
- Field Testable (see instruction sheet)
- Two independent check valves
- Drains automatically when hose is removed
- No spray back

Freezeless Yard Hydrants
See separate brochure for models and features.



WOODFORD®



Proudly Made In The U.S.A.

Woodford Manufacturing Company
2121 Waynoka Road
Colorado Springs, CO 80915 USA
800-621-6032
800-765-4115 (Fax)
sales@woodfordmfg.com
www.woodfordmfg.com

© Woodford Mfg. Co. 2013
Printed in the U.S.A.