



# Freezeless Lawn Sprinkler Supply Wall Hydrant Model 32

The Woodford Lawn Sprinkler Supply is designed for irrigation purposes to be used as the supply valve for lawn sprinkler systems. This unit can also be used as a water supply for water features, decorative ponds, etc. It can be used in conjunction with any reduced pressure backflow preventer, double check, or pressure vacuum breaker that protects the system from backflow.

The Model 32 provides outside access to the water supply for start-up, winterizing, and servicing the lawn sprinkler system. Installation of the Model 32 reduces the time spent in scheduling service calls or multiple visits and does not require the contractor to enter the residence.

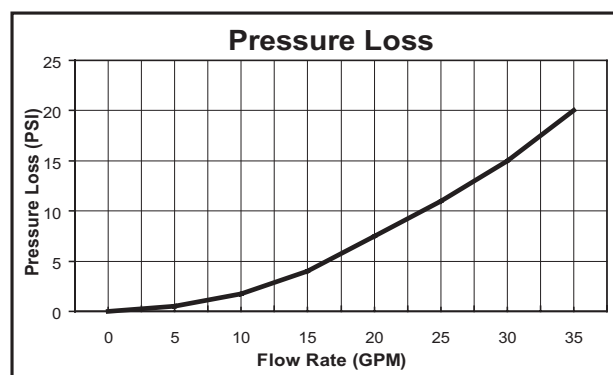
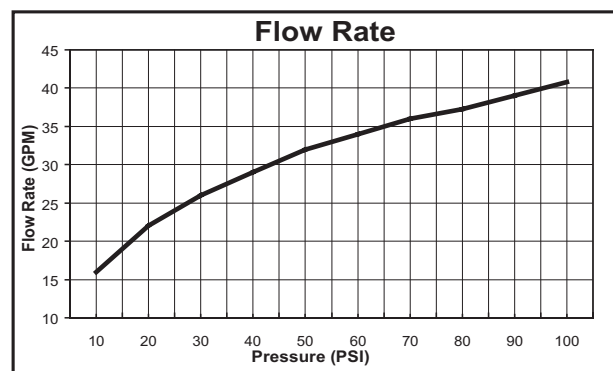
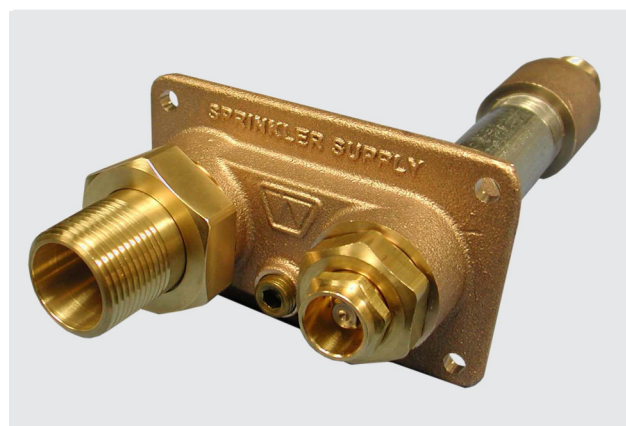
The Model 32 is key operated and utilizes a removable drain plug allowing the service contractor to winterize the system at anytime protecting the property owner's investment.

Two valve inlets are available: combination  $\frac{3}{4}$ " FPT & 1" MPT or  $\frac{3}{4}$ " copper sweat. Outlet fitting included:  $\frac{3}{4}$ " NPT. To order both inlets add feature -1IN:  $\frac{3}{4}$ " NPT & 1" NPT



## FEATURES:

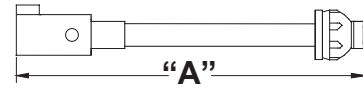
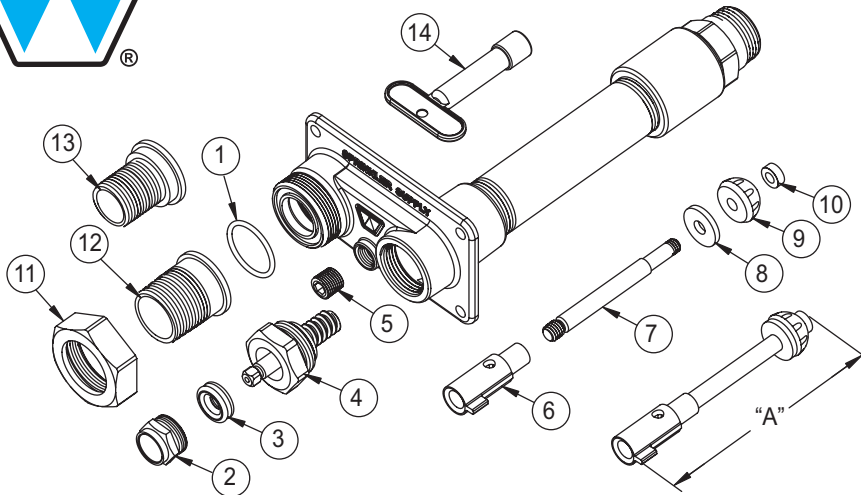
- IAPMO Listed
- Inlet And Pipe Casing Fits Through A 1- $\frac{7}{8}$ " Hole
- Head Casting Fits Flush Against Wall
- Provides Freezeless Lawn Sprinkler Supply System Shut-Off With Outside Access
- Allows For Convenient Scheduling By Servicing Contractors For Start-Up, Servicing, Or Winterization Of Lawn Sprinkler System Without Entering The Home
- Key Operated For Tamper Resistant Protection
- Rough Brass Exterior Finish
- Epdm Packing With Adjustable Packing Nut
- Hardened Stainless Steel Valve Stem
- Permanent Brass Valve Body With Large Hemispherical Seating Surface.
- Solid Brass Operating Rod
- 1" Galvanized Steel Pipe Casing
- Red Brass Castings
- 2 Inlet Options:
  - P Inlet: Combination  $\frac{3}{4}$ " FPT & 1" MPT
  - C Inlet:  $\frac{3}{4}$ " Copper Sweat Valve Body
- $\frac{3}{4}$ " Union Outlet Connection Provided
- Optional 1" NPT Union Outlet Connection add feature -1IN
- $\frac{1}{4}$ " NPT Socket Head Manual Drain Plug
- Max Pressure: 125 P.S.I.
- Max Temperature: 120° F



For Installation / Troubleshooting Instructions go to [www.woodfordmfg.com](http://www.woodfordmfg.com) or call 1-800-621-6032



**When ordering, specify inlet and wall thickness.**



**OPERATING ROD ASSEMBLY  
DIM. "A"**

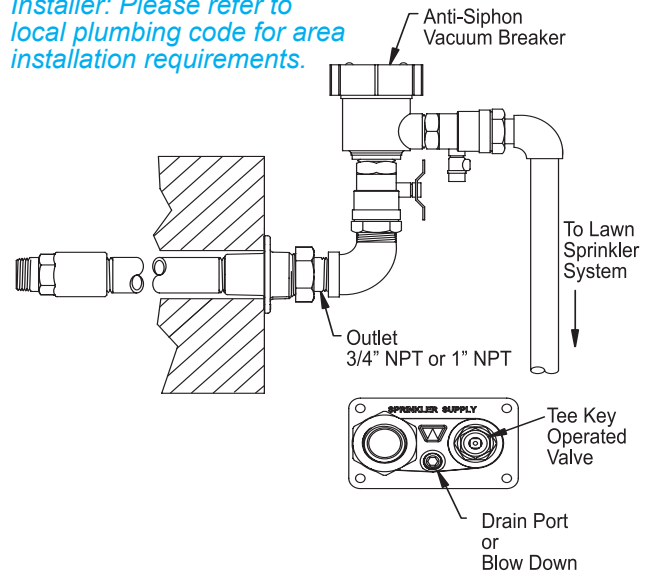
Wall Thickness	Length	Part No.
4	5 1/2"	55304
6	7 1/2"	55306
8	9 1/2"	55308
10	11 1/2"	55310
12	13 1/2"	55312
14	15 1/2"	55314
16	17 1/2"	55316
18	19 1/2"	55318
20	21 1/2"	55320
22	23 1/2"	55322
24	25 1/2"	55324

**MODEL 32 PARTS LIST**

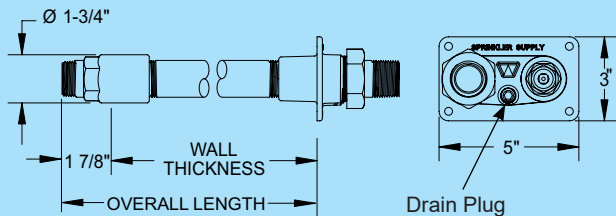
ITEM	PART#	DESCRIPTION
1	50611	AS-124 O-Ring
2	30107	Packing Nut-brass
3	30247	EPDM Packing
4	55176	Head Nut Assembly
5	50035	1/4" Pipe Plug
6	51014	Yoke Nut
7	553XX	Operating Rod Assembly (see chart for dimension "A")
8	50027	Support Washer
9	51013	Ball Valve Rubber
10	50028	Round Brass Nut
11	50595	Union Nut
12	50597	Optional 1" NPT Outlet -1IN
13	50596	3/4" NPT Outlet
14	50010	Long Tee Key
	RK-32	Repair Kit (Includes items 1-6, 8-10)

**Typical Installation**

*Installer: Please refer to local plumbing code for area installation requirements.*



**Rough-In Dimensions**



P Inlet: Combination 3/4" FPT & 1" MPT VB  
 C Inlet: 3/4" Copper Sweat VB  
 Outlet: 3/4" NPT or Optional 1" NPT

*Installation Requires Downward Pitch For Draining.*

Wall Thickness	Overall Length	Shipping Wt. (Lbs)
4	5 7/8"	4.5
6	7 7/8"	4.8
8	9 7/8"	5.2
10	11 7/8"	5.5
12	13 7/8"	5.9
14	15 7/8"	6.2
16	17 7/8"	6.6
18	19 7/8"	6.9
20	21 7/8"	7.3
22	23 7/8"	7.6
24	25 7/8"	8.0

*For more information contact...*

**WOODFORD MANUFACTURING COMPANY**

2121 Waynoka Road, Colorado Springs, Colorado 80915 • Phone: (800) 621-6032 • Fax: (800) 765-4115  
 To view our complete product line visit: [www.woodfordmfg.com](http://www.woodfordmfg.com) or email: [sales@woodfordmfg.com](mailto:sales@woodfordmfg.com)  
 A Division Of WCM Industries, Inc.