



# T&S BRASS AND BRONZE WORKS, INC.

2 Saddleback Cove / P.O. Box 1088  
Travelers Rest, SC 29690

Model No.

**BL-6005-02**

Item No.

Travelers Rest, SC: 800-476-4103 • Simi Valley, CA: 800-423-0150 • Fax: 864-834-3518 • www.tsbrass.com

This Space for Architect/Engineer Approval

Job Name \_\_\_\_\_ Date \_\_\_\_\_

Model Specified \_\_\_\_\_ Quantity \_\_\_\_\_

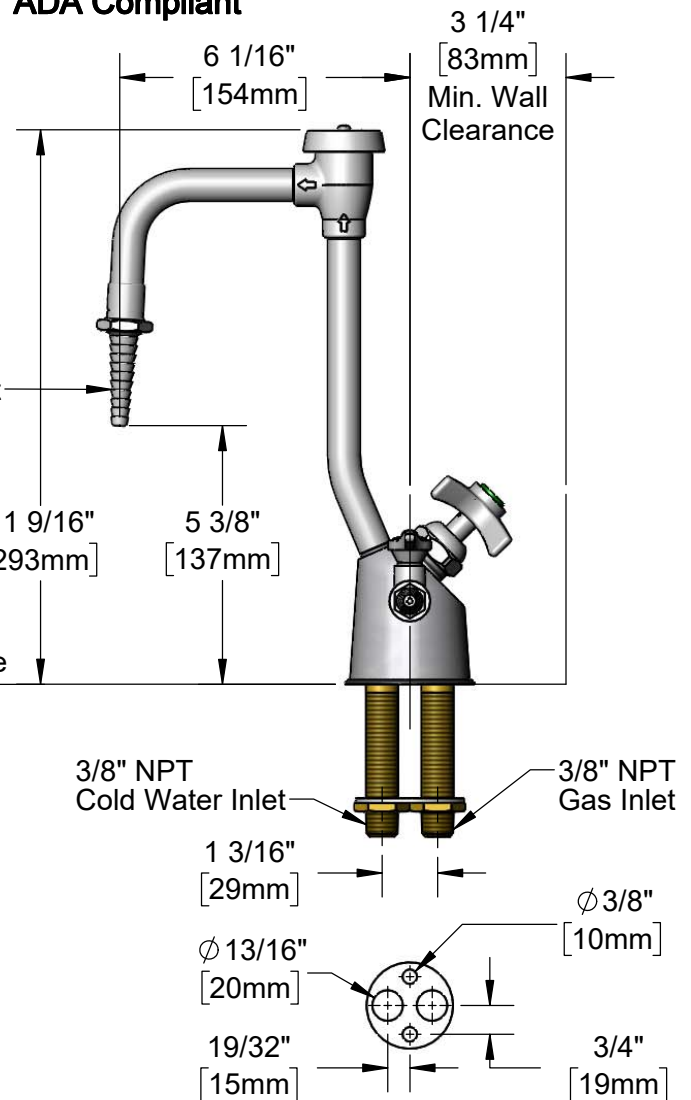
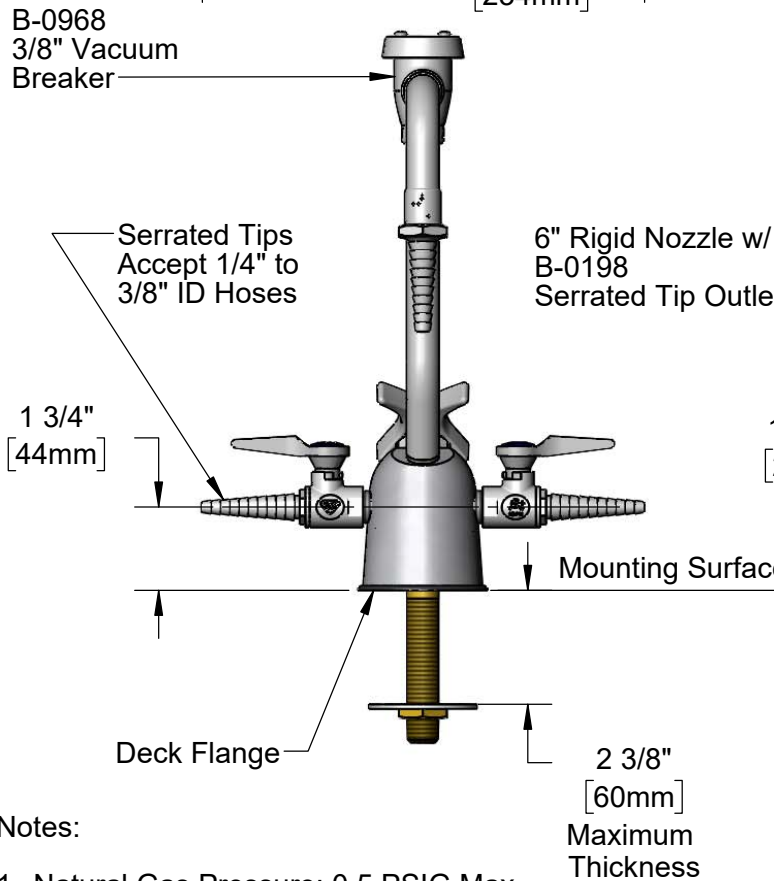
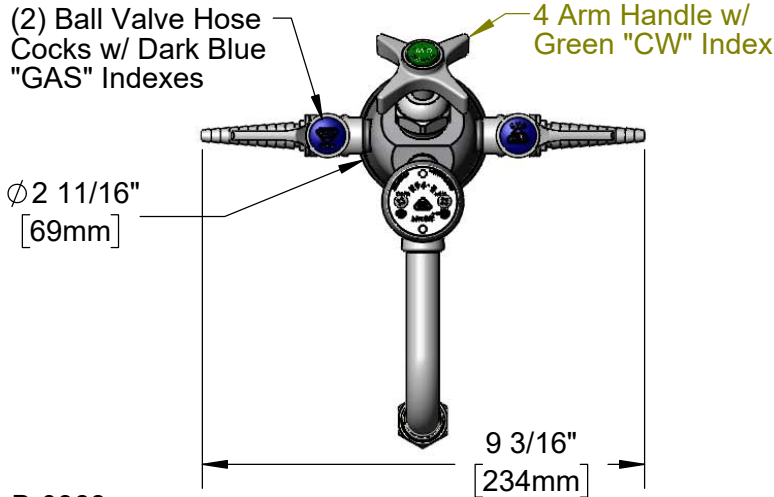
Customer/Wholesaler \_\_\_\_\_

Contractor \_\_\_\_\_

Architect/Engineer \_\_\_\_\_



**ADA Compliant**



### Mounting Washer / Rough-In Detail

#### Notes:

1. Natural Gas Pressure: 0.5 PSIG Max. (For Natural Gas above 0.5 PSIG or Oxygen and Specialty Gases, use BL-4010-01 Gas Cock.)

2. Temperature Range: 32°F - 125°F

#### Product Specifications:

Combination Gas & Water Fixture w/ (2) Ball Valve Gas Cocks, Vacuum Breaker, 6" Rigid Gooseneck, Serrated Tip & 3/8" NPT Male Inlets

#### Product Compliance:

ASME A112.18.1 / CSA B125.1  
NSF 61 - Section 9  
NSF 372 (Low Lead Content)  
ASSE 1001 (VB)  
ANSI Z21.15a / CSA 9.1a (Gas Valves)  
ANSI A117.1 (ADA)



# T&S BRASS AND BRONZE WORKS, INC.

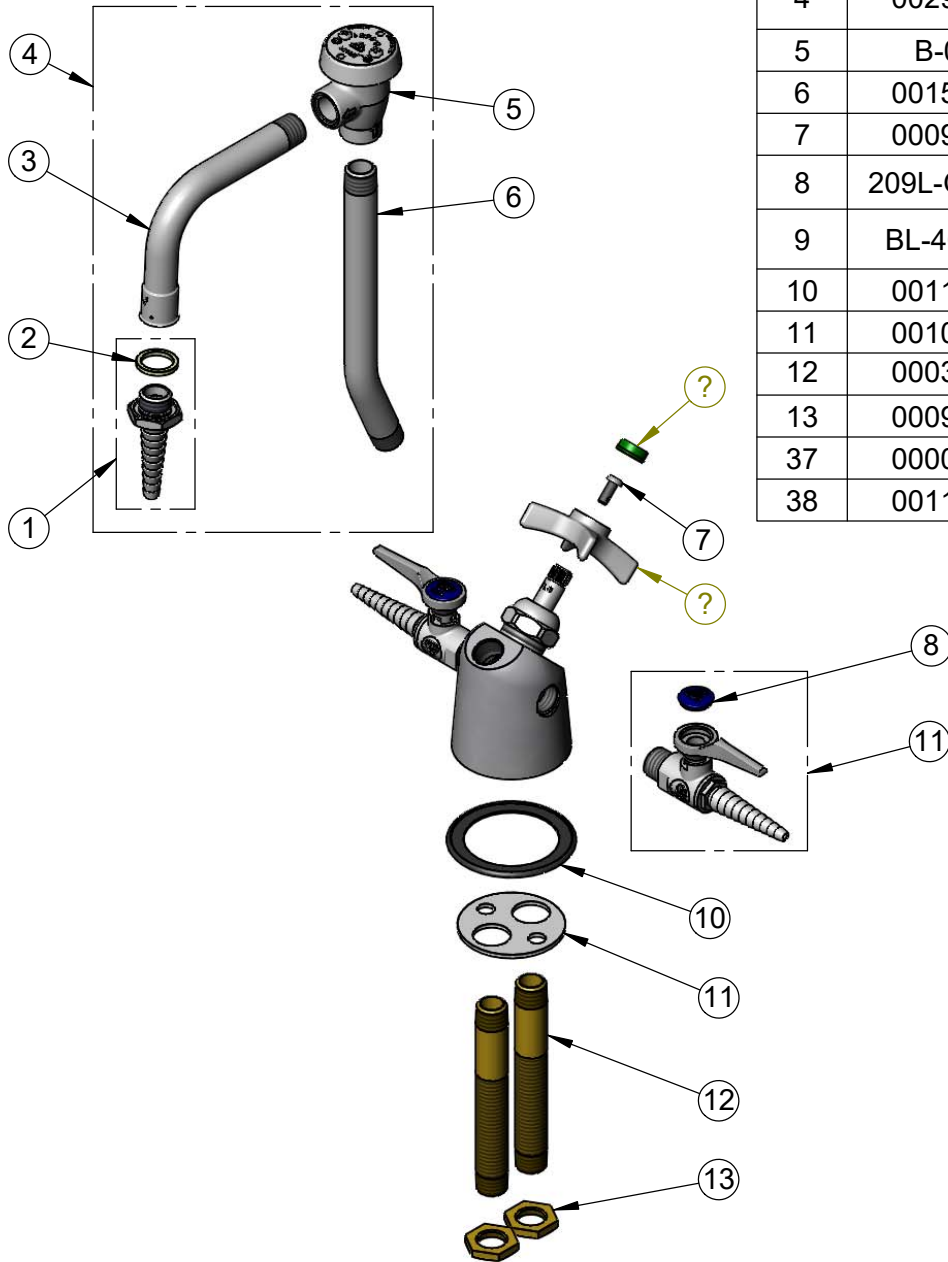
2 Saddleback Cove / P.O. Box 1088  
Travelers Rest, SC 29690

Model No.

**BL-6005-02**

Item No.

Travelers Rest, SC: 800-476-4103 • Simi Valley, CA: 800-423-0150 • Fax: 864-834-3518 • www.tsbrass.com



ITEM NO.	SALES NO.	DESCRIPTION
1	B-0198	Serrated Tip w/ Washer
2	001051-45	Washer
3	106X	Nozzle, 3/8" NPT, Brass
4	002986-40	Rigid Nozzle w/ Vacuum Breaker & Serrated Tip
5	B-0968	3/8" NPT Vacuum Breaker
6	001522-40	BL-6005-01, 7" Riser
7	000925-45	Lab Handle Screw
8	209L-GAS-NS	Dark Blue "GAS" Lab Button Index
9	BL-4000-01	Ball Valve Hose Cock w/ Gas, Air & Vac Indexes
10	001160-45	Gasket, BL-6000
11	001004-45	Turret Brass Washer, BL-6000
12	000381-20	3/8" Brass Supply Nipple
13	000969-45	3/8" NPSL Brass Lock Nut
37	000059-40	4-Arm Lab Handle
38	001191-45	Green Index - CW

**Product Specifications:**

Combination Gas & Water Fixture w/ (2) Ball Valve Gas Cocks, Vacuum Breaker, 6" Rigid Gooseneck, Serrated Tip & 3/8" NPT Male Inlets

**Product Compliance:**

ASME A112.18.1 / CSA B125.1  
NSF 61 - Section 9  
NSF 372 (Low Lead Content)  
ASSE 1001 (VB)  
ANSI Z21.15a / CSA 9.1a (Gas Valves)  
ANSI A117.1 (ADA)