



T&S BRASS AND BRONZE WORKS, INC.
 2 Saddleback Cove / P.O. Box 1088
 Travelers Rest, SC 29690

Model No.
BL-5709-09
 Item No.

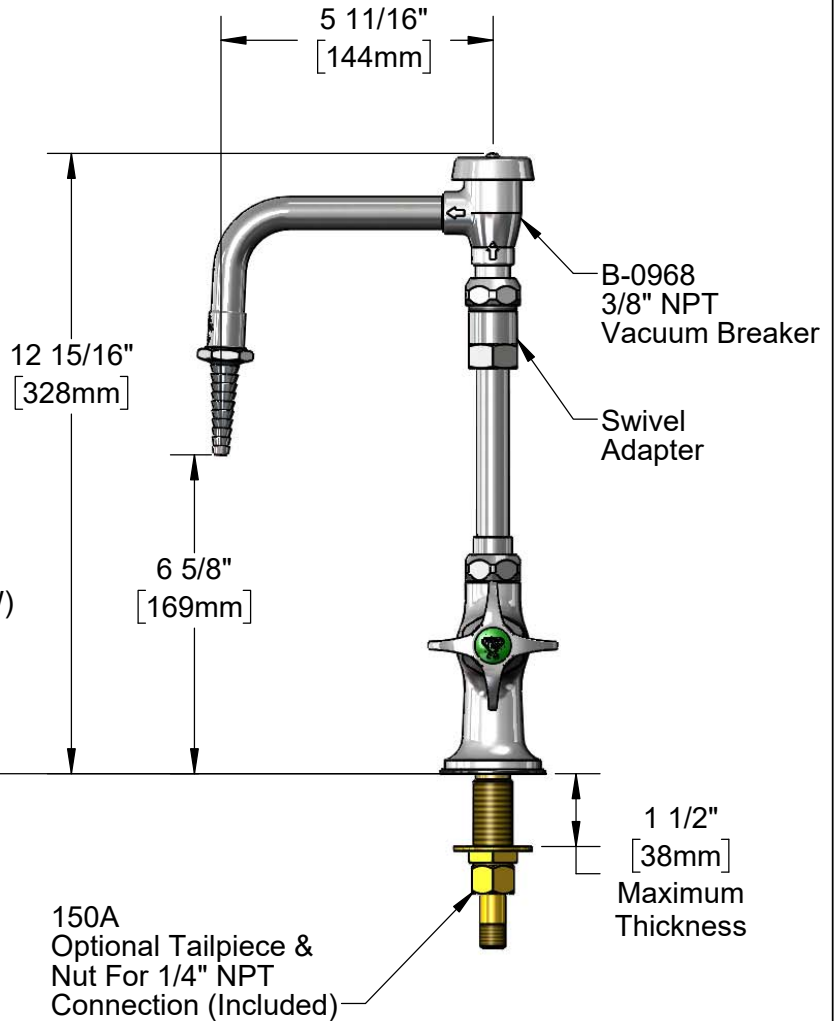
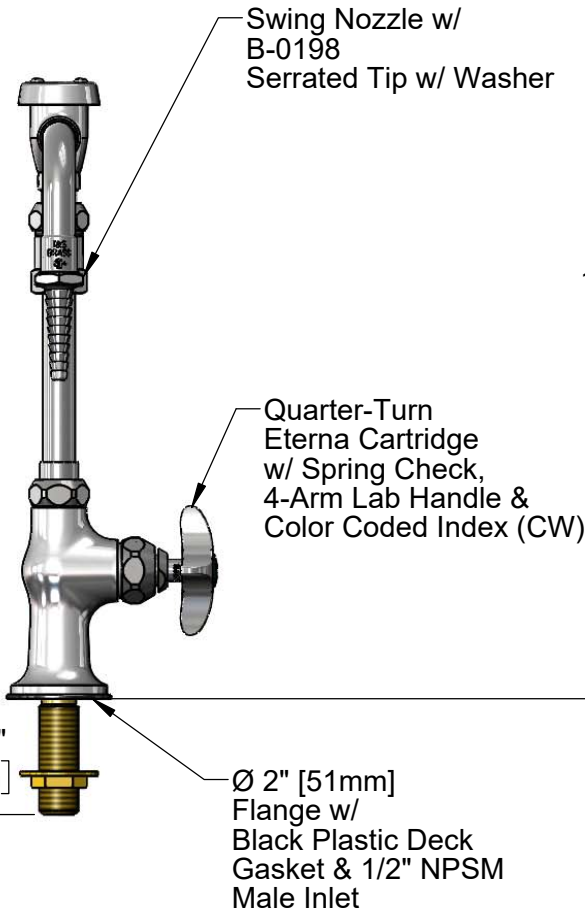
Travelers Rest, SC: 800-476-4103 • Simi Valley, CA: 800-423-0150 • Fax: 864-834-3518 • www.tsbrass.com

This Space for Architect/Engineer Approval

Job Name _____ Date _____
 Model Specified _____ Quantity _____
 Customer/Wholesaler _____
 Contractor _____
 Architect/Engineer _____



ADA Compliant



Rough-in Requirement:
 Ø 1" [25mm] Hole

Product Specifications:
 Single Temperature Lab Faucet w/ Vacuum Breaker Swing Nozzle, Serrated Tip Outlet, Quarter-Turn Eterna Cartridge w/ Spring Check, 4-Arm Handle & 1/2" NPSM Male Inlet

Product Compliance:
 ASME A112.18.1 / CSA B125.1
 NSF 61 - Section 9
 NSF 372 (Low Lead Content)
 ANSI A117.1 (ADA)
 ASSE 1001 (VB)

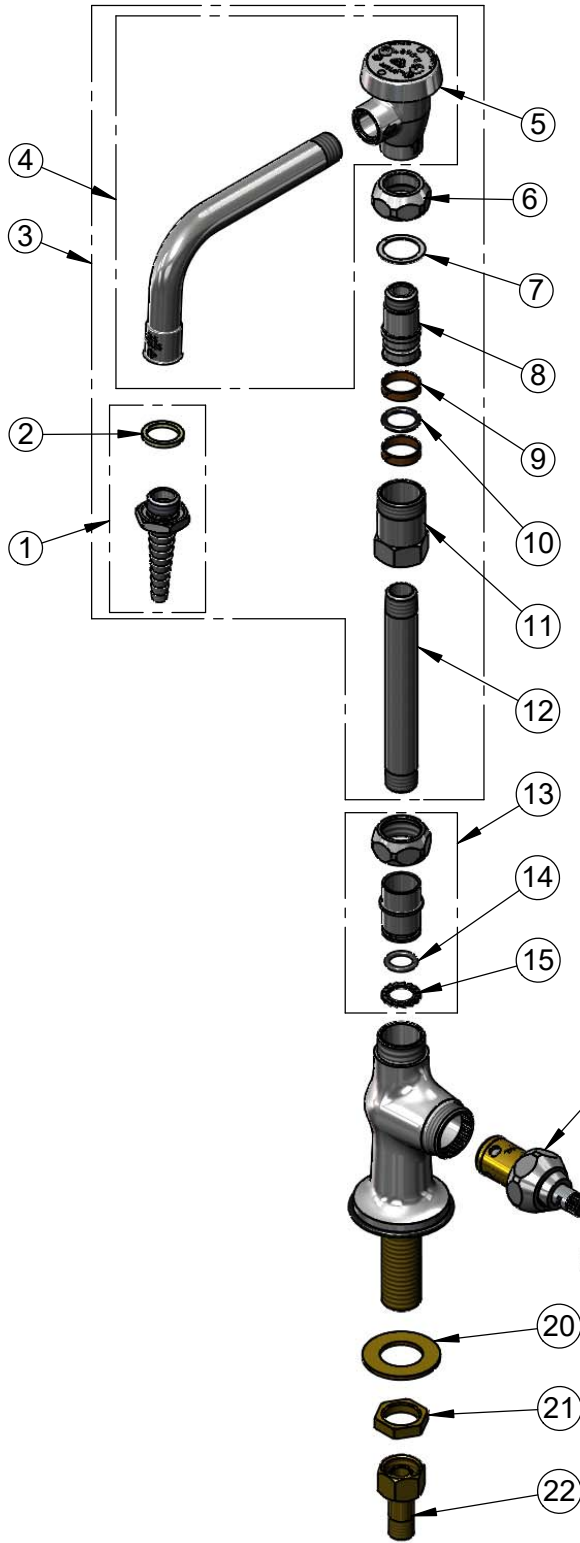


T&S BRASS AND BRONZE WORKS, INC.
 2 Saddleback Cove / P.O. Box 1088
 Travelers Rest, SC 29690

Model No.
BL-5709-09
 Item No.

Travelers Rest, SC: 800-476-4103 • Simi Valley, CA: 800-423-0150 • Fax: 864-834-3518 • www.tsbrass.com

ITEM NO.	SALES NO.	DESCRIPTION
1	B-0198	Serrated Tip
2	001051-45	Washer
3	BL-5560-02	Swing Nozzle w/ Vacuum Breaker & 3/8" NPT x 5" Nipple Inlet
4	007283-40	Nozzle w/ Vacuum Breaker
5	B-0968	Vacuum Breaker, 3/8"
6	000711-40	Swivel Adapter Nut
7	009538-45	Swivel Washer
8	000843-25	Swivel Body
9	011429-45	Swivel Sleeves (2)
10	001074-45	O-Ring
11	054X	Swivel Body
12	000361-40	Nipple, 3/8" NPT x 5"
13	EZ-K	EasyIntall Kit
14	001065-45	O-ring
15	014200-45	Star Washer, Anti-Rotation
16	012443-40NS	Quarter-Turn Eterna Cartridge w/ Spring Check, RTC
17	002521-45NS	4-Arm Handle (New Style)
18	000925-45	Lab Handle Screw
19	001191-45NS	Green "CW" Lab Button Index
20	000999-45	Brass Lock Washer
21	002954-45	Shank Lock Nut
22	150A	1/4" NPT Tailpiece



Product Specifications:
 Single Temperature Lab Faucet w/ Vacuum Breaker Swing Nozzle, Serrated Tip Outlet, Quarter-Turn Eterna Cartridge w/ Spring Check, 4-Arm Handle & 1/2" NPSM Male Inlet

Product Compliance:
 ASME A112.18.1 / CSA B125.1
 NSF 61 - Section 9
 NSF 372 (Low Lead Content)
 ANSI A117.1 (ADA)
 ASSE 1001 (VB)