



# T&S BRASS AND BRONZE WORKS, INC.

2 Saddleback Cove / P.O. Box 1088  
Travelers Rest, SC 29690

Model No.

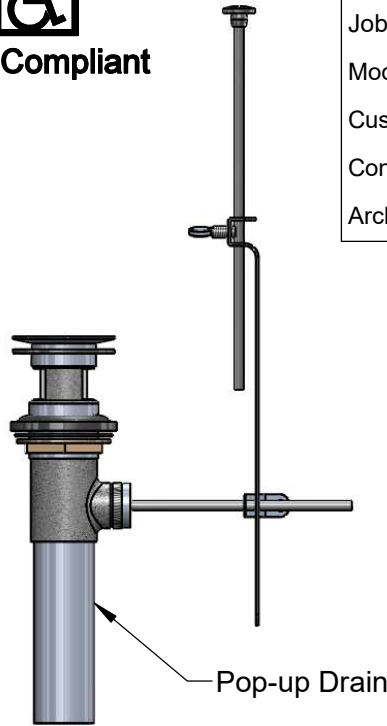
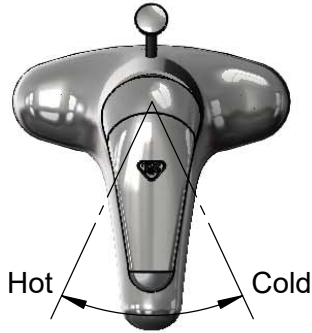
**B-2710**

Item No.

Travelers Rest, SC: 800-476-4103 • Simi Valley, CA: 800-423-0150 • Fax: 864-834-3518 • www.tsbrass.com



**ADA Compliant**



Pop-up Drain



This Space for Architect/Engineer Approval

Job Name \_\_\_\_\_ Date \_\_\_\_\_

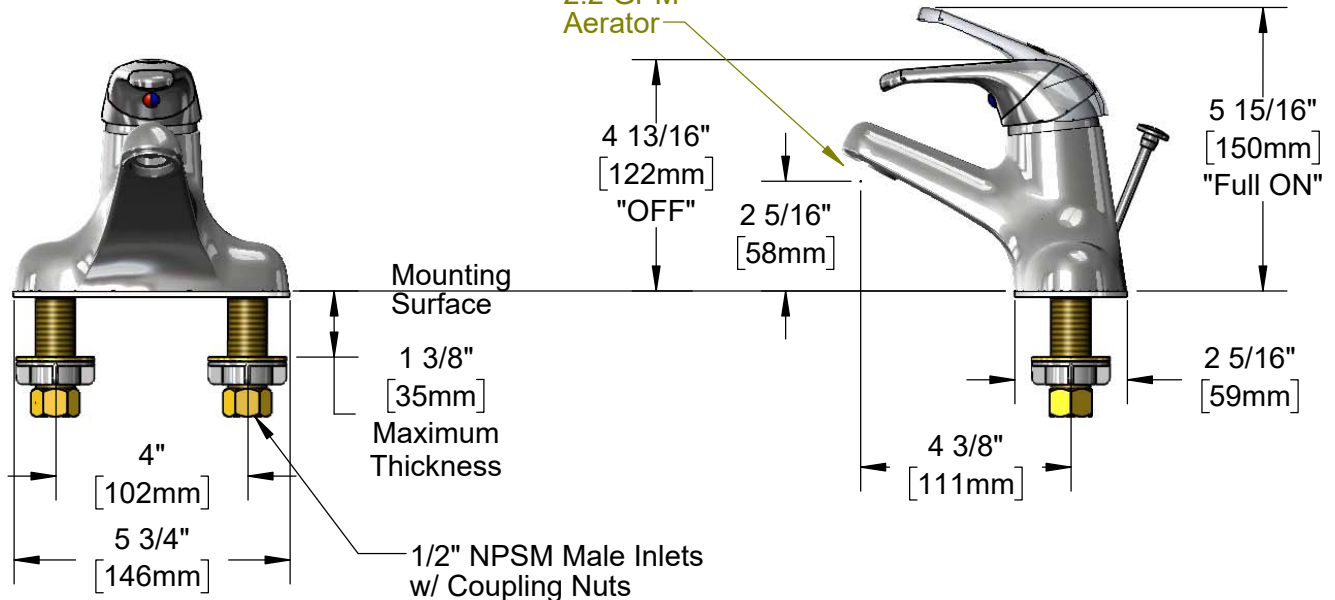
Model Specified \_\_\_\_\_ Quantity \_\_\_\_\_

Customer/Wholesaler \_\_\_\_\_

Contractor \_\_\_\_\_

Architect/Engineer \_\_\_\_\_

2.2 GPM  
Aerator



**Rough-In Requirement:**

(3)  $\phi$  1" [25mm] Mounting Holes

Pop-Up Drain: Fits Sinks with  $\phi$  1 7/16" [36mm] to  $\phi$  1 3/4" [44mm] Drain Hole

**Product Specifications:**

4" Deck Mount Single Lever Faucet, Ceramic Cartridge, Temperature Limit Stop, 2.2 GPM Aerator, Pop-Up Drain & 1/2" NPSM Male Inlets

**Product Compliance:**

ASME A112.18.1 / CSA B125.1  
NSF 61 - Section 9  
NSF 372 (Low Lead Content)  
ANSI A117.1 (ADA)



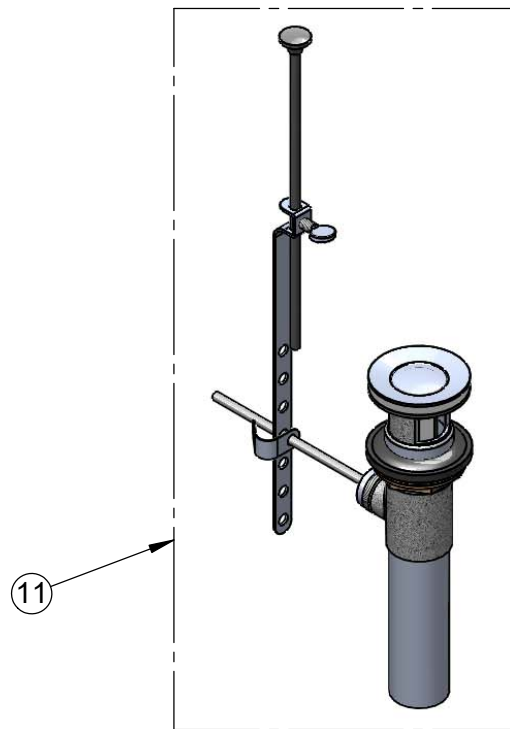
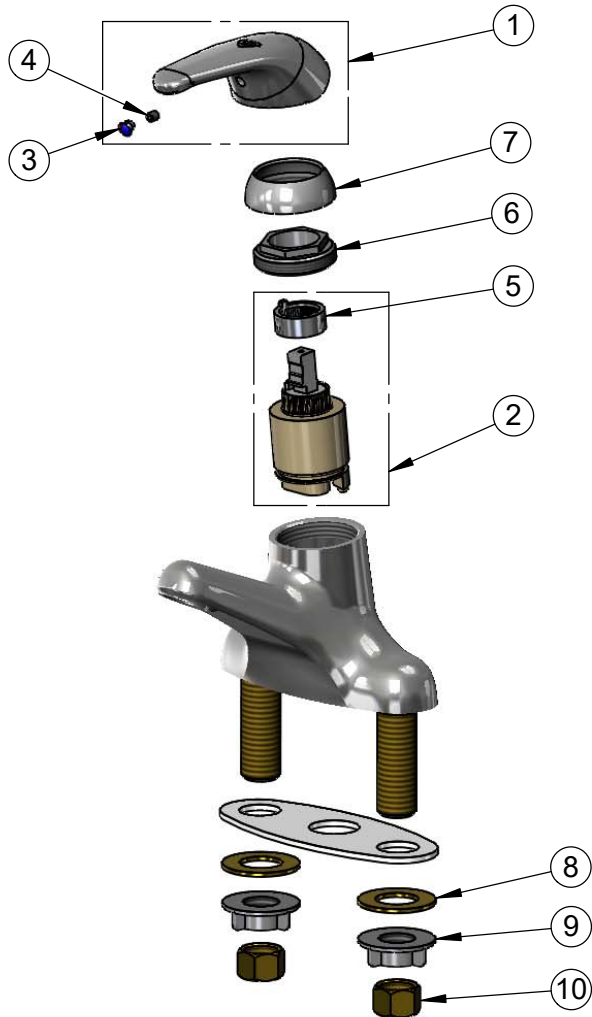
**T&S BRASS AND BRONZE WORKS, INC.**  
 2 Saddleback Cove / P.O. Box 1088  
 Travelers Rest, SC 29690

Model No.  
**B-2710**

Item No.

Travelers Rest, SC: 800-476-4103 • Simi Valley, CA: 800-423-0150 • Fax: 864-834-3518 • www.tsbrass.com

ITEM NO.	SALES NO.	DESCRIPTION
1	013113-45	Handle, Single Lever
2	013111-45	Ceramic Cartridge
3	014173-45	Index, Temperature
4	016675-45	Set Screw
5	015400-45	Temperature Limit Stop
6	016663-45	Locking Nut
7	016661-45	Trim Ring
8	000999-45	Brass Lock Washer
9	016673-45	Shank Nut
10	000958-20	Coupling Nut
11	B-0898	Pop-Up Drain
17	014167-45	Deck Gasket



Product Specifications:  
 4" Deck Mount Single Lever Faucet, Ceramic Cartridge, Temperature Limit Stop, 2.2 GPM Aerator, Pop-Up Drain & 1/2" NPSM Male Inlets

Product Compliance:  
 ASME A112.18.1 / CSA B125.1  
 NSF 61 - Section 9  
 NSF 372 (Low Lead Content)  
 ANSI A117.1 (ADA)