



T&S BRASS AND BRONZE WORKS, INC.

2 Saddleback Cove / P.O. Box 1088
Travelers Rest, SC 29690

Model No.

B-0133-ADF12-BR

Item No.

Travelers Rest, SC: 800-476-4103 • Simi Valley, CA: 800-423-0150 • Fax: 864-834-3518 • www.tsbrass.com

This Space for Architect/Engineer Approval

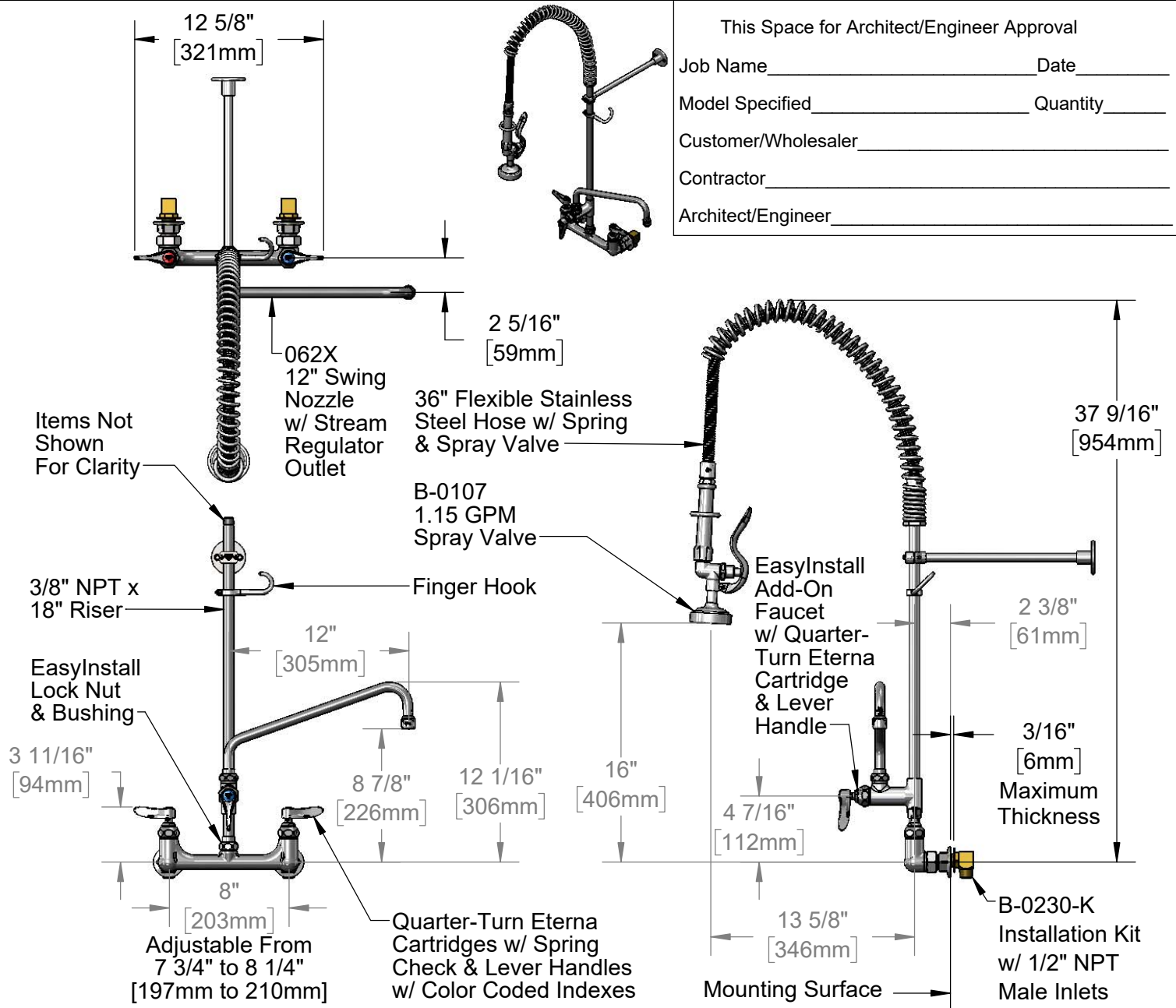
Job Name _____ Date _____

Model Specified _____ Quantity _____

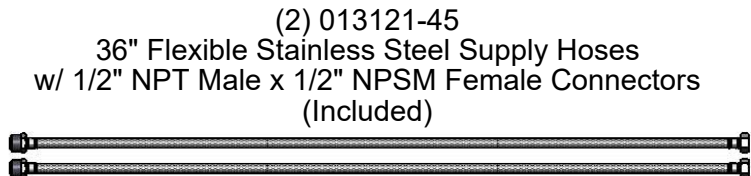
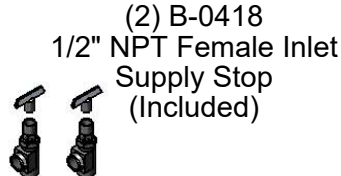
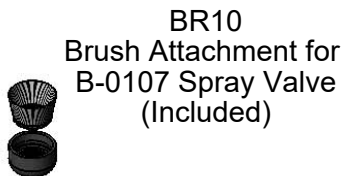
Customer/Wholesaler _____

Contractor _____

Architect/Engineer _____



Rough-In Requirement:
(2) ϕ 1" [25mm] Mounting Holes



Product Specifications:
Pre-Rinse Unit: EasyInstall 8" Wall Mount Mixing Faucet, Quarter-Turn Eterna Cartridges w/ Spring Checks, Lever Handles, Add-On Faucet, 12" Swing Nozzle, 36" Flexible Stainless Steel Hose, 1.15 GPM Spray Valve, Brush Attachment, Installation Kits w/ 1/2" NPT Male Inlets, (2) 36" Flexible Stainless Steel Hoses & (2) 1/2" NPT Female Supply Stops

Product Compliance:
ASME A112.18.1 / CSA B125.1
NSF 61 - Section 9
NSF 372 (Low Lead Content)
2019 DOE PRSV - Class II



T&S BRASS AND BRONZE WORKS, INC.

2 Saddleback Cove / P.O. Box 1088
Travelers Rest, SC 29690

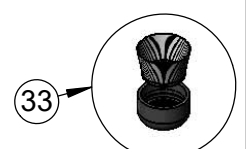
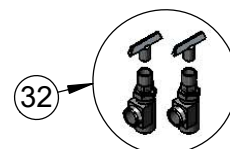
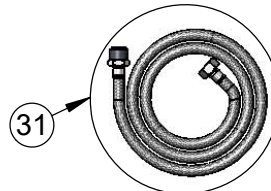
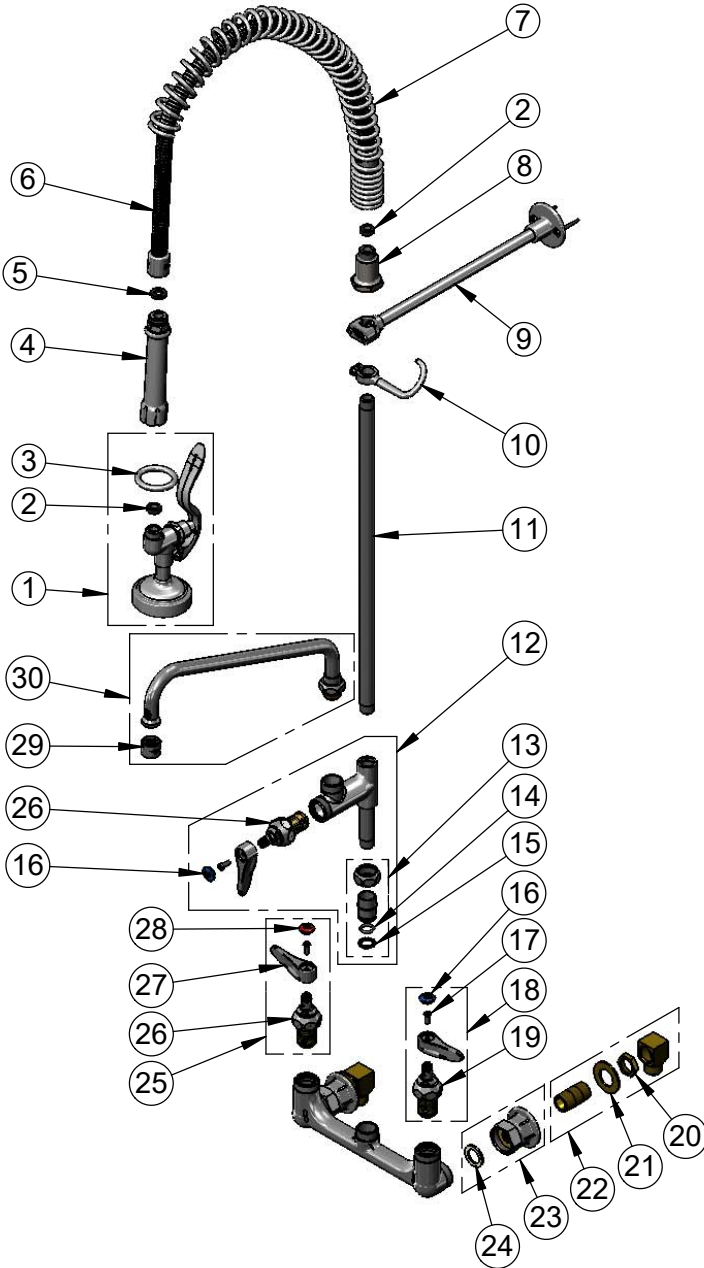
Model No.

B-0133-ADF12-BR

Item No.

Travelers Rest, SC: 800-476-4103 • Simi Valley, CA: 800-423-0150 • Fax: 864-834-3518 • www.tsbrass.com

ITEM NO.	SALES NO.	DESCRIPTION
1	B-0107	1.15 GPM Spray Valve
2	010476-45	#27 Washer
3	000907-45	Spray Valve Hold Down Ring
4	002987-40	Grip Handle
5	001014-45	Washer, B-0100 Hose Barrel
6	B-0036-H2A	36" Flexible Stainless Steel Hose, Less Handle
7	000888-45	EasyInstall Overhead Spring
8	000821-40	Spring Body
9	B-0109-03	12" Wall Bracket
10	004R	Finger Hook
11	000369-40	3/8" NPT x 18" Riser
12	B-0155-LNEZ	EasyInstall Add-On Faucet w/ Quarter-Turn Eterna Cartridge, RTC & Lever Handle, Less Nozzle
13	EZ-K	EasyInstall Kit: Nut, Bushing, O-ring & Lock Washer
14	001065-45	O-Ring
15	014200-45	Star Washer, Anti-Rotation
16	018506-19NS	Blue Button Index, Press-in
17	000925-45	Lab Handle Screw
18	002711-40NS	Quarter-Turn Eterna Cartridge, LTC w/ Spring Check, Handle, Index & Screw
19	012442-40NS	Quarter-Turn Eterna Cartridge, LTC w/ Spring Check
20	002954-45	Shank Lock Nut
21	000999-45	Brass Lock Washer
22	B-0230	Short Elbow Installation Kit
23	00AA	1/2" NPT Female Eccentric Flange
24	001019-45	Coupling Nut Washer
25	002712-40NS	Quarter-Turn Eterna Cartridge, RTC w/ Spring Check, Handle, Index & Screw
26	012443-40NS	Quarter-Turn Eterna Cartridge, RTC w/ Spring Check
27	001638-45NS	Lever Handle (New Style)
28	001193-19NS	Red Button Index, Press-in
29	B-PT	Full Flow Stream Regulator, 55/64-27
30	062X	12" Swing Nozzle
31	013121-45	36" Flexible Stainless Steel Hose (2)
32	B-0418	1/2" NPT Female Supply Stop (2)
33	BR10	Brush Attachment For B-0107



Product Specifications:
Pre-Rinse Unit: EasyInstall 8" Wall Mount Mixing Faucet, Quarter-Turn Eterna Cartridges w/ Spring Checks, Lever Handles, Add-On Faucet, 12" Swing Nozzle, 36" Flexible Stainless Steel Hose, 1.15 GPM Spray Valve, Brush Attachment, Installation Kits w/ 1/2" NPT Male Inlets, (2) 36" Flexible Stainless Steel Hoses & (2) 1/2" NPT Female Supply Stops

Product Compliance:
ASME A112.18.1 / CSA B125.1
NSF 61 - Section 9
NSF 372 (Low Lead Content)
2019 DOE PRSV - Class II