

Walk-In Bathtub Wall Kit Owner's Manual With Installation Instructions

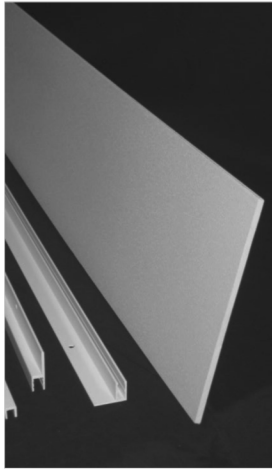


Wall Kit

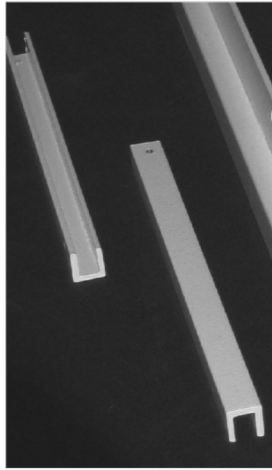
IMPORTANT: Read this manual before installing this product. There is important product safety information in this manual, so please be sure to read it thoroughly.

- Before ordering or installing, consider future access to essential equipment.
- In an effort to continually improve our product, specifications and configurations are subject to change without notice.

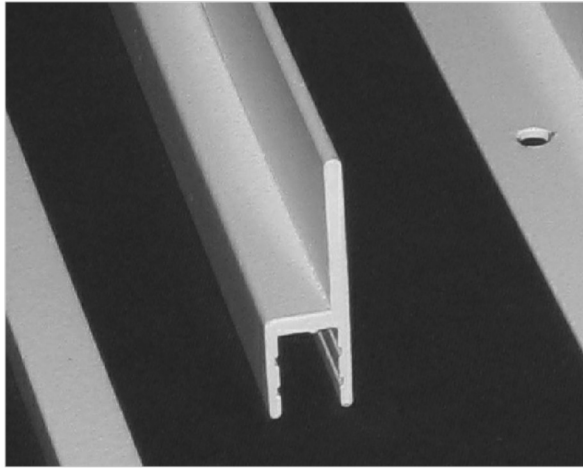
Parts



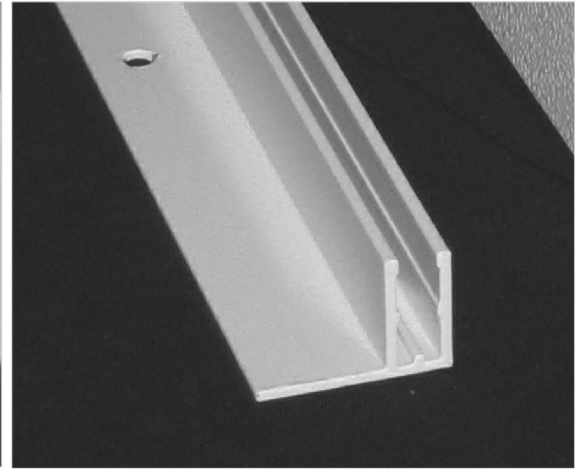
Wall Filler Panel



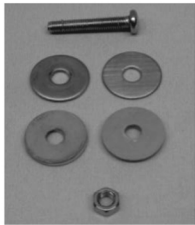
WF End Caps



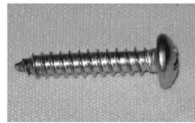
Tub Rail



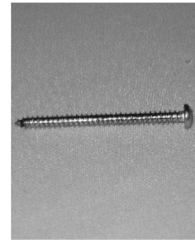
Wall Rail



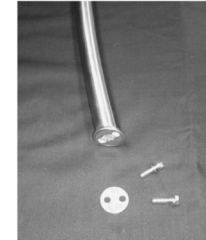
Bolt, SS Washer,
M5 Rubber Washer, Nut



Short Screw



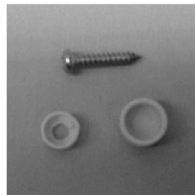
Long Screw



Curved Shower
Rod



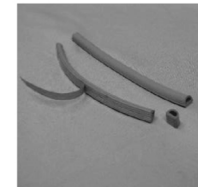
Shower Slide, Bar & Mounts,
Shower Slide Bar Bracket



Plastic Washer
& Cap



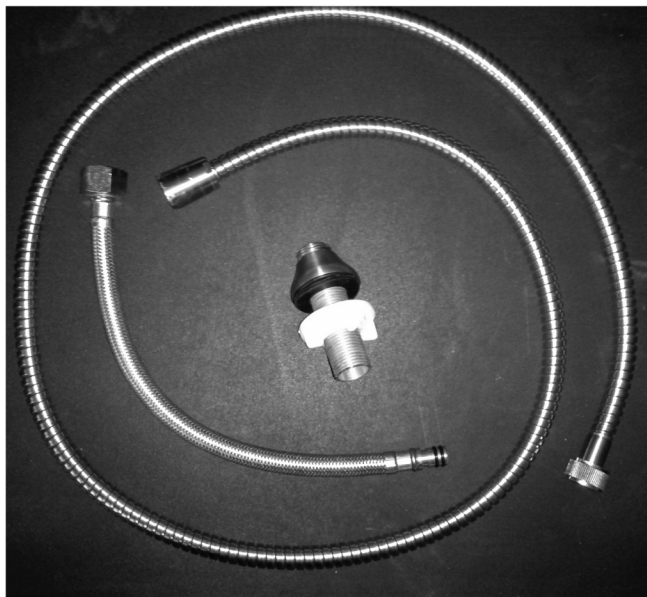
Flat Panel
Gasket



D-Shaped Base
Gasket

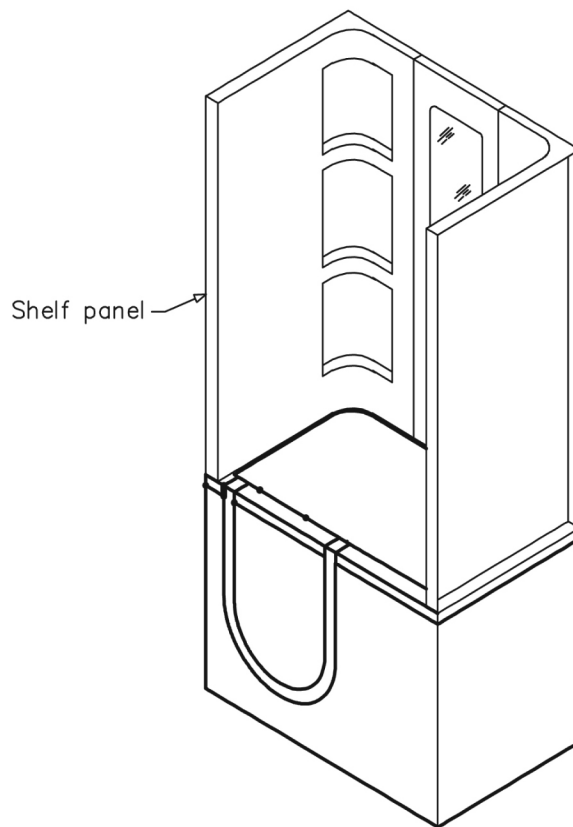
Note: Some of the parts shown may not be required for installation.

1



- Install Hand Held WK Adapter Kit from Wall Kit.
(Hose and Escutcheon provided with valve will not be used)

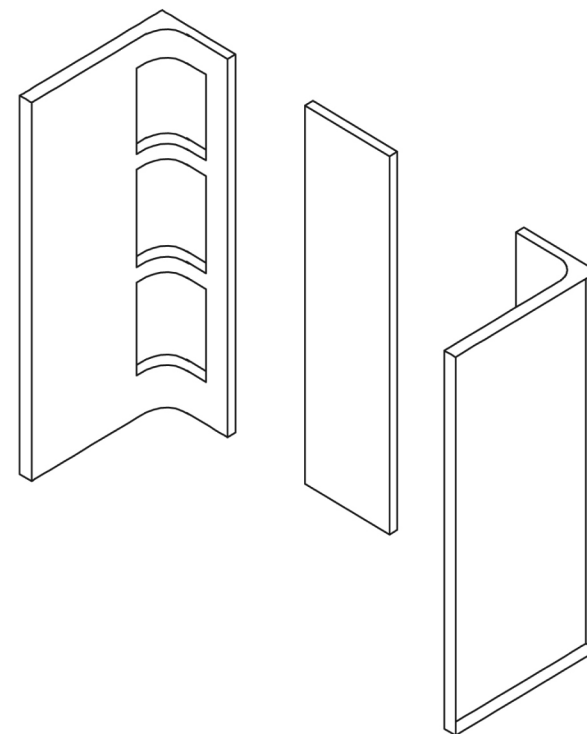
2



- Determine if you have a left or right hand tub. (Drain and door end will determine if it is a left or right hand). Shelves go on drain end.

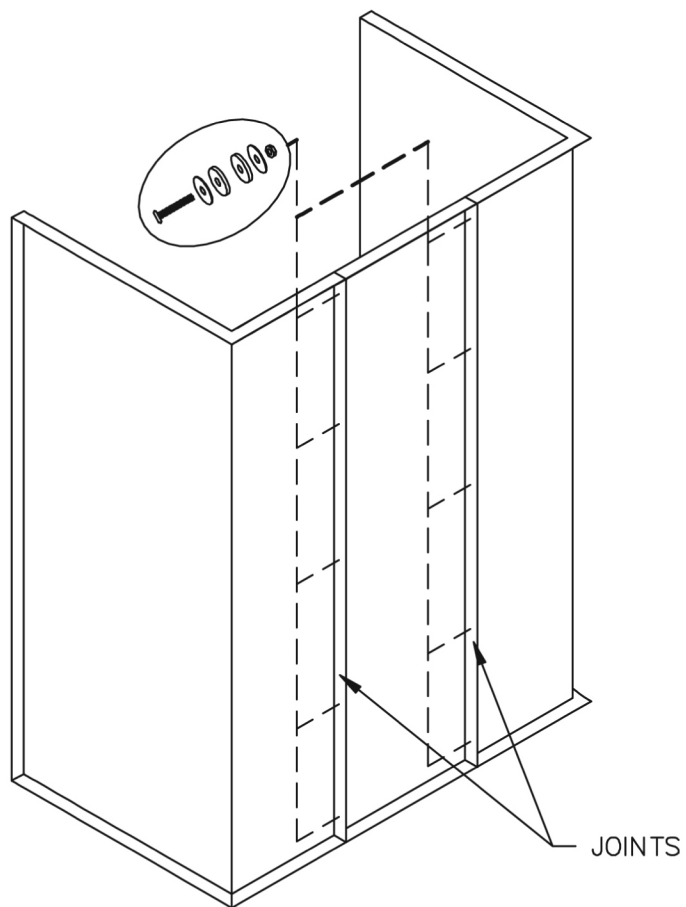
(Left-Hand Shown)

3



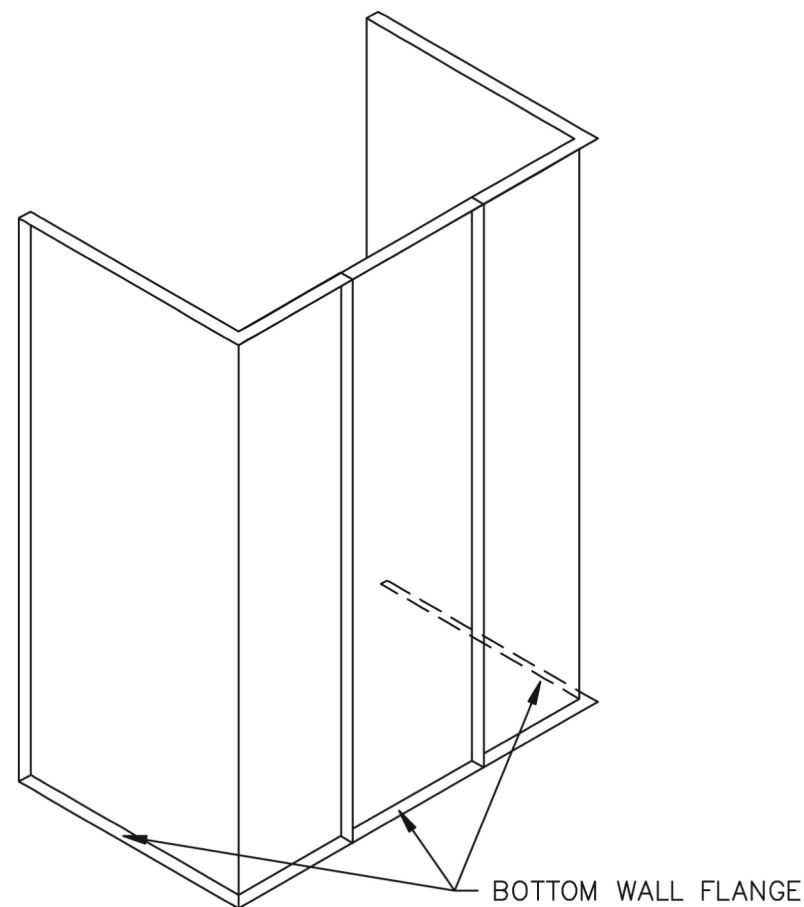
- Identify all parts.
- Position End Panels with Middle Panel on a flat surface.
- Allow sufficient room around all panels for easy access.

4

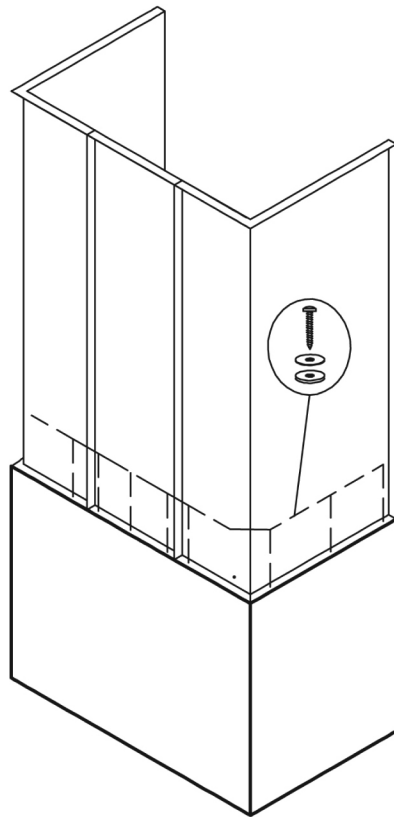


- Apply flat panel gasket between the joints of the three panels.
- Clamp the three panels together. Make sure inside face of all three panels are flush.
- Center and drill five 1/4" dia. holes along the length of the two joints as illustrated.
- Assemble with bolt, metal washer, rubber washer, and nut in each hole as shown and tighten.

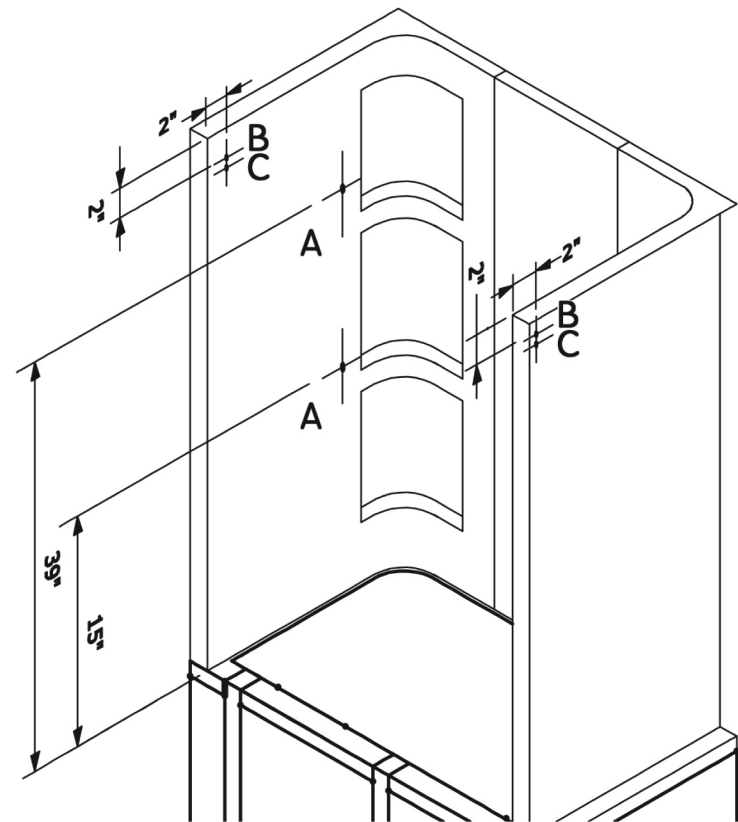
5




- Apply and center continuous D-shaped base gasket on bottom wall flange.



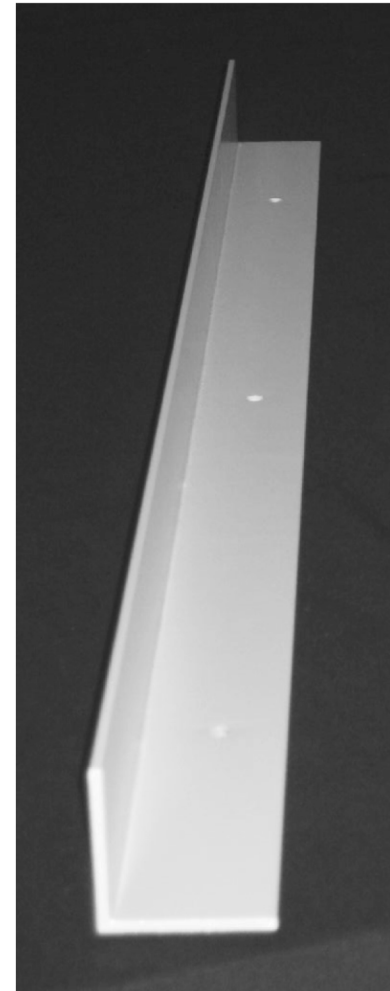
- Set wall assembly onto tub.
- Clamp down wall assembly to tub making sure it is flush with front tub corners.
- Drill eleven 1/8" dia. holes as illustrated.
- Attach wall assembly to tub with short screw, metal washer and rubber washer.



- Drill two 1/4" dia. holes "A" for shower slide bar with bracket. (Centered in raised rib of panel).
- Drill two 3/16" dia. holes "B" for curtain rod.
- Using 2-holed washer ( 2-holed washer) from curtain rod as a template, drill two more 3/16" dia. holes "C" for correct placement.

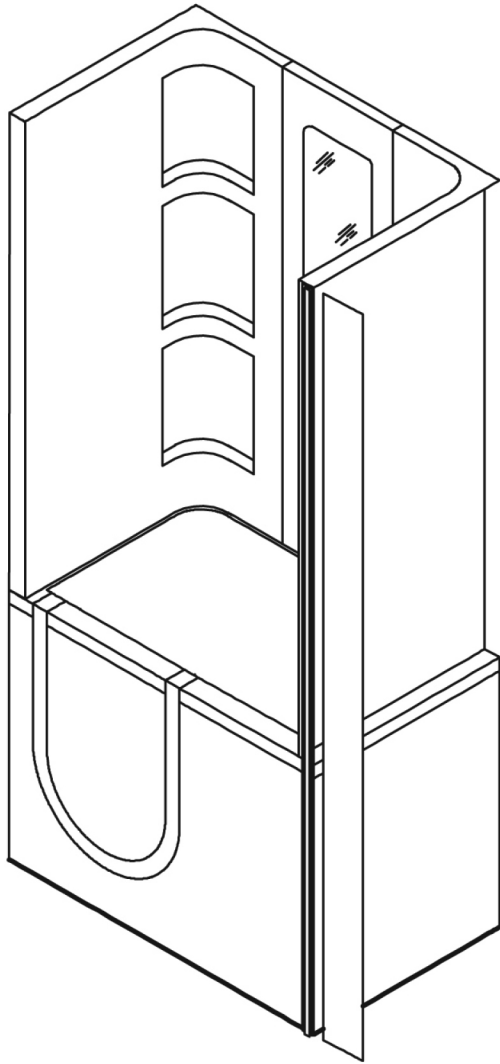


- Assemble shower slide bar with bracket and attach to wall with bolt, metal washer and rubber washer and nut.
- Connect hand held shower to hose.
- Hang hand held shower onto shower slide bar bracket.
- Tighten all bolts and nuts and secure screws.
- Verify and tighten all plumbing connections.
- Verify that unit is level and secure.



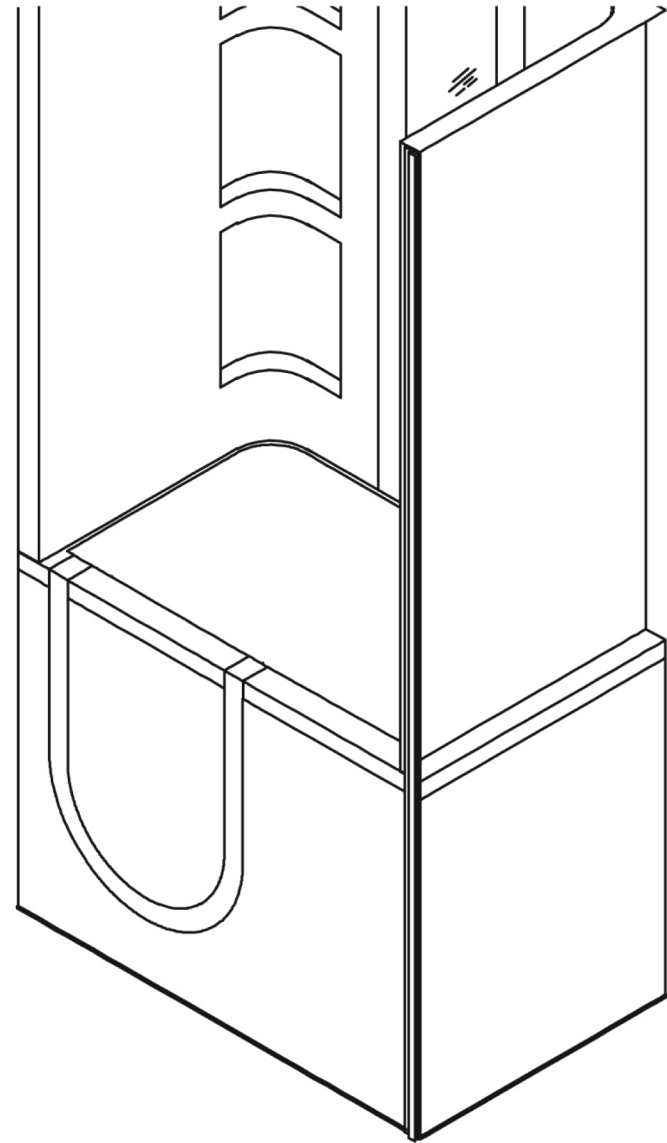
- Attach wall angle with long screws to existing wall.
- Slide completed unit into its final position.
- Using short screws, plastic washers and caps, secure wall assembly to wall angle.

10

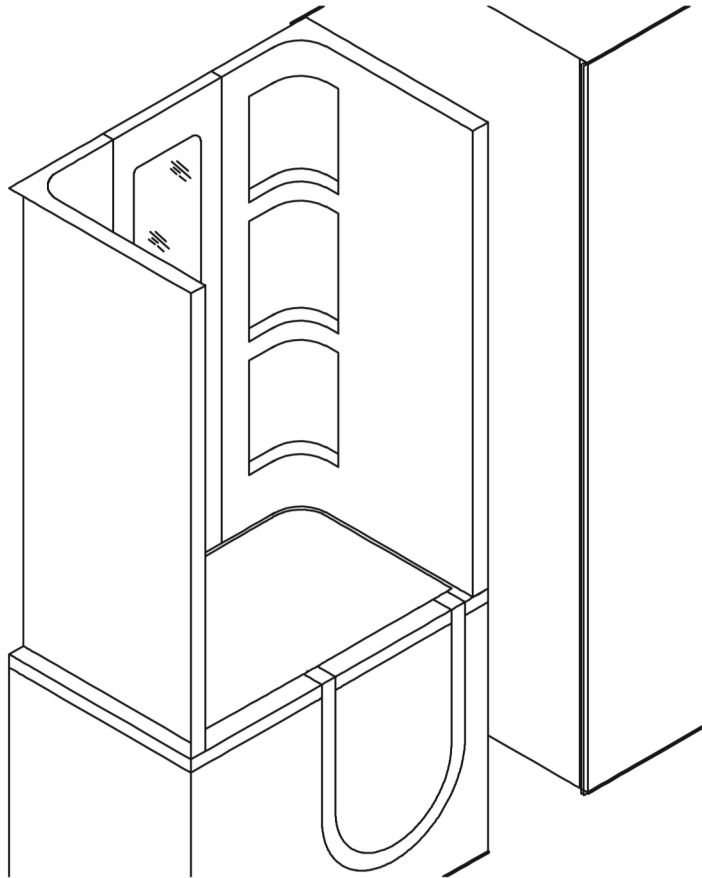


- Determine location of filler panel.

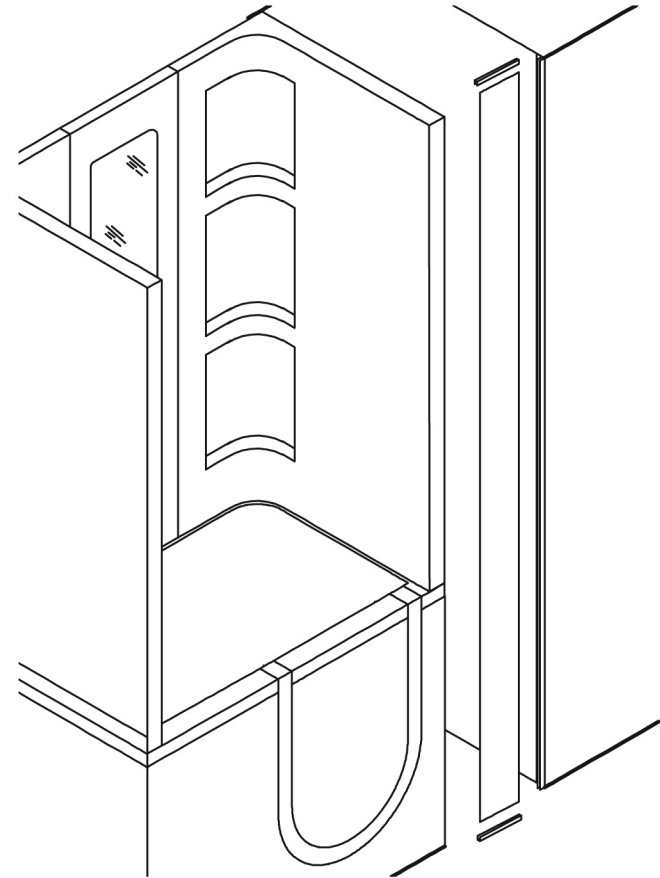
11



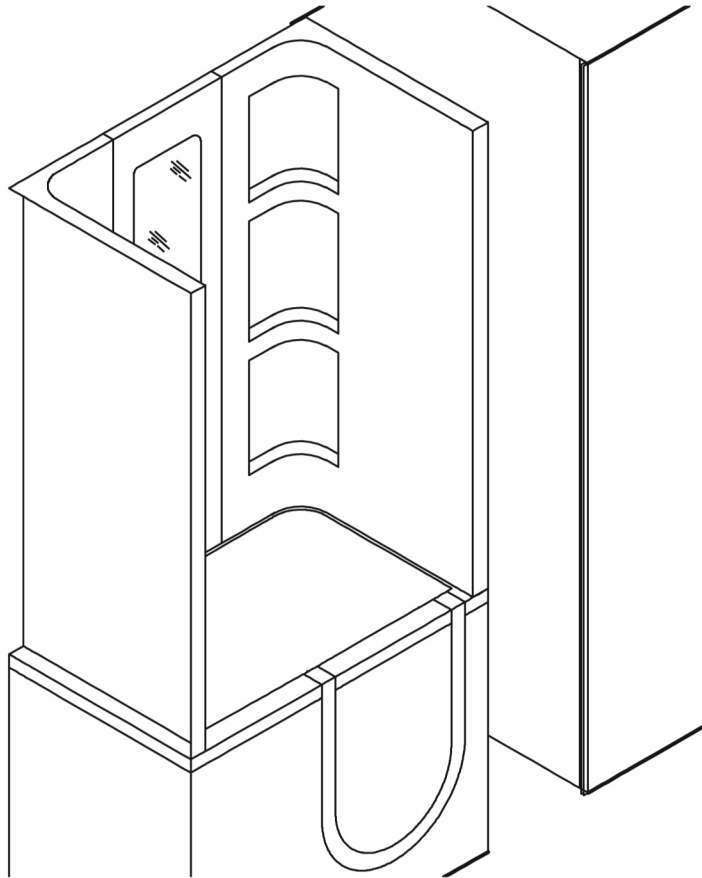
- Install tub rail to tub and wall kit with short screws.



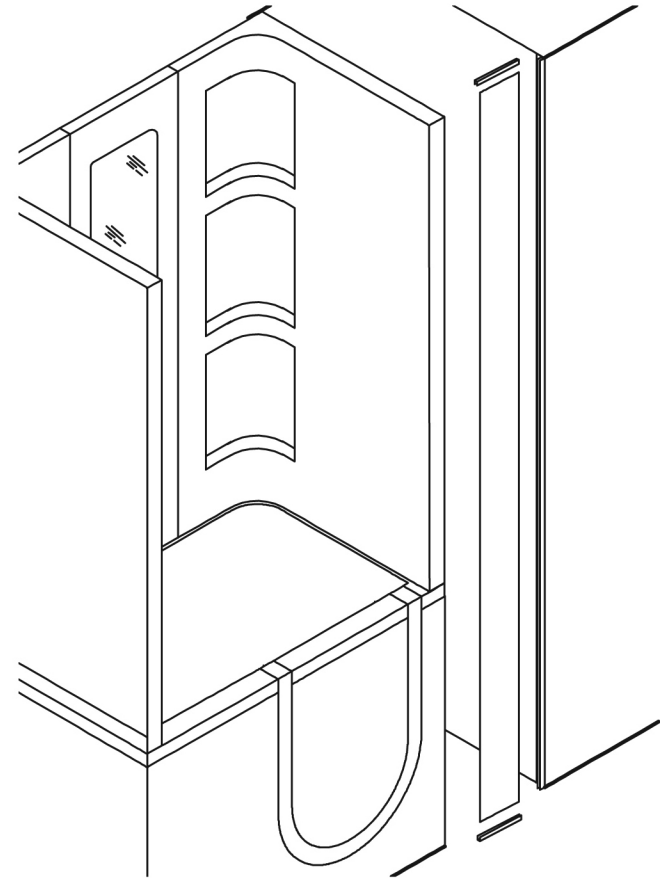
- Install wall rail to wall with long screws.



- Measure and cut filler panel to fit the space.
- Place filler panel caps on top and bottom of filler panel.
- Insert uncut side of panel into tub rail. Attach other side to wall rail with plastic washer & caps and short screws.



- Install wall rail to wall with long screws.



- Measure and cut filler panel to fit the space.
- Place filler panel caps on top and bottom of filler panel.
- Insert uncut side of panel into tub rail. Attach other side to wall rail with plastic washer & caps and short screws.