

OH5126

**Walk-In Bathtub Owner's Manual
With Installation Instructions**



IMPORTANT:

- **Read this manual before installing this product. There is important product safety information in this manual, so please be sure to read it thoroughly.**

Purchase Date : _____

Model Number : _____

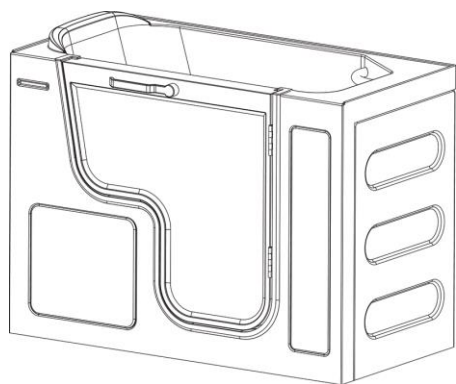
Serial Number : _____

Dealer Name : _____

Dealer Phone : _____

Notes : _____

Product Description



Dimension (inches): 51 x 26 x 39

Material: Acrylic

Weight : 160lbs.

Full water volume is 52 — 56 gallons

Fill Time: 3 — 4 minutes※

Drain Time: 2 minutes※

※ 3/4" thread supply lines @ 60 PSI

※ 2" PVC Pipe

Instructions

Please read these instructions carefully to familiarize yourself with the required tools, materials, and installation sequences. Follow the sections that pertain to your particular installation. This will help you avoid costly mistakes. In addition to proper installation, read all operating and safety instructions.

All information is based on the latest product information available at the time of publication. The manufacture reserves the right to make changes in product characteristics, packaging, or availability at any time without notice.

These instructions contain important care, cleaning, and warranty information-please leave these instructions to customers for future reference.

Uncrate and inspect bath for damage. Leave all materials in carton prior to fixture construction to prevent damage or component from missing.

Warranty does not cover damage to bath caused in transit or Installation.

Limited Warranty

Coverage

The Limited Warranty covers hardware and components for 5 years and a lifetime warranty on the door gasket, frame and shell from the time of original purchase from an authorized dealer by the original buyer. If, during this period a covered component fails, we will provide a replacement part to the owner through an authorized dealer. Shipping charges and all other incidental costs are not included. The manufacture will not pay labor costs involved in diagnostic, removal, repair, service or replacement of the parts. All warranty claims must be coordinated through an authorized dealer.

Limitations

The Limited Warranty does not cover defects, damage or failure caused by the shipment, delivery, installation or user, including but not limited to: modification of any type for any reason, electrical or water connections not specified by the installation and specifications included with the unit, improper installation, unreasonable operation, accident, neglect, lack of proper routine maintenance, or acts of God, including, earthquakes, floods, lightning, etc. The finish's warranty does not apply to fading, cracking, delaminating or blistering due to excessive wear, sun fading or scouring due to cleaning.

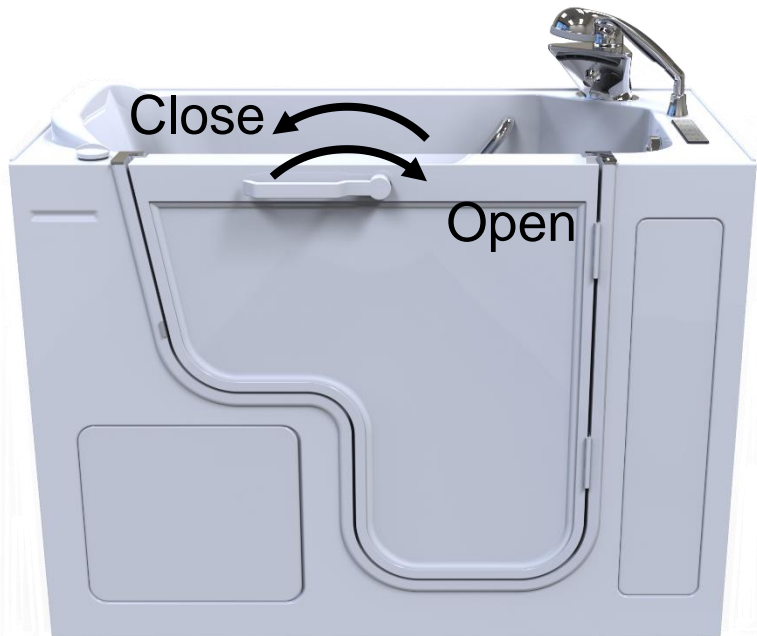
Parts

When warranty parts are required, contact your authorized dealer. Be prepared to provide proof of purchase.

Warranty Claim Procedures

- Complete warranty claim form and submit using the information provided below
- Claim will be processed by claims department
- RGA (Return Goods Authorization) will be issued
- Payment is required for warranty parts and shipping before shipment
- Defective parts must be returned
- Once defective parts are received and deemed defective by tech department, credit for parts will be issued

Door Operating



Care & Maintenance

For everyday cleaning, a soft cloth with mild soap and water is all you need. Always rinse after cleaning. DO NOT use scouring pads or abrasive/caustic cleansers.

Vinegar and water may also be used to soften water minerals. To disinfect, use bleach diluted with water to sanitize.

Air Jetted Tubs

Air jets automatically come on 30 minutes after system is turned off to purge any remaining water from the jets.

Water Jetted Tubs

Regularly disinfect to ensure water jetting system stays clean

Safe Use Of Your Air Massage Bathtub

Your new massage system provides you with a gentle, overall massage. The massage effect is obtained by injecting warm air through air jets into the bathwater. Using the blower for too long a period at too high a water temperature will cause a tiring effect. When you first begin to use your luxury bath unit, set the blower duration at five minutes. maximum. Regulate the water temperature to a moderately warm level. These levels can be later increased for additional massaging effects.

Your physiological response to a hot massage bath depends on your age, health and medical history. If you develop a headache or become dizzy or nauseous, get out at once and cool off under the shower. Get medical help if the symptoms persist.

Consult your doctor before you use the massage bath for physical therapy of an injury or disorder. Do not take a massage bath without your doctor's consent if you are ill, pregnant or if you suffer from high blood pressure, heart disease or other health problems. Never take a massage bath while under the influence of medication, drugs or alcohol.

Caution: Children or incapacitated people should not use the massage bath unattended. Your bath water temperature should not exceed 40 °C(104° F).

After having cleaned the tub from all installation debris and dirt, fill the water at normal bathing water level ie. maximum 2" below the overflow when bather is sitting in the tub. Never fill the tub with water above the overflow level.

Instructions

- DO NOT OPEN DOOR WHEN TUB IS FILLED WITH WATER.
- USE CARE WHEN ENTERING AND EXITING THE TUB.
- DO NOT USE THE TUB UNDER THE INFLUENCE OF DRUGS OR ALCOHOL.
- SMALL CHILDREN SHOULD NOT USE TUB WITHOUT ADULT SUPERVISION.
- DISABLED PEOPLE SHOULD NOT USE TUB WITHOUT PROPER SUPERVISION
- TUB MAY BE SLIPPERY WHEN WET. USE CARE.

Persons suffering from heart disease, diabetes, high or low blood pressure, and pregnant women should check with their physician before using this product. Do not use this product if you have consumed alcohol or drugs. When using this product, basic precautions should always be followed, including but not limited to:

- This product should be installed by a qualified installation technician following the required local plumbing and electrical laws and regulations.
- Electrical wiring should be completed by a licensed electrician.
- The temperature of hot water supplied tub the product should stay under 48°C (118°F).
- Adjust the setting to the desired water temperature before using various functions.
- Turn off the power supply and close the cold/hot water supply valve after using the product.
- If any abnormal performance occurs, contact the local sales agent or service center.
- To prevent the risk of injury, do not permit children or disabled individuals to use this product without supervision.
- Use this product only for its intended use as described in this manual.
- Do not use attachments or accessories not recommended or provided by the manufacturer
- Never drop or insert any object into any opening.
- The unit must be properly connected to a ground fault circuit interrupter (GFCI).
- Improper installation, adjustments, alterations, service or maintenance could cause personal injury or property damage and will void the warranty.

Before Starting

Read each step carefully.

It is very important that each step is performed in the correct order.

Verify that all parts are included.

Work in a spacious area near the location where the unit will be installed.

Do not use power tools to assemble unit. Only use power tools for drilling holes.

Facts

After receiving the product, check the contents for damage. If you find contents to be damaged or have missing parts, notify your supplier.

Two people may be required for installation.

Any damage or fault arising from self-installation is not covered by warranty.

This product is designed for indoor use only.

Due to ongoing commitment to quality, all specifications, ratings and dimensions are subject to change without notice.

Note: It is important that you do not use Epsom salts in your bathtub. It can damage the pump.

Manufacturer DECLINES ANY LIABILITY IF :

Electrical and plumbing code requirements are not followed.

Installation, Safety, and Maintenance Instructions in this manual are not followed.

Unauthorized modifications are made to the product or any components.

Slight changes or differences may exist between the indicated dimensions in the drawings and pictures and the actual dimensions or product. Should an outdated or incorrect drawing or picture be used, we will not be held liable.

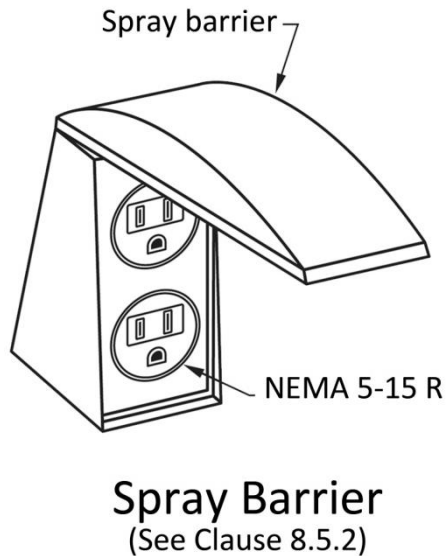
Installation

ELECTRICAL: Electrical wiring should be completed by a licensed electrician.

WARNING: Refer to Section 680 of National Electrical Code. When using electrical products, basic precautions should always be followed, including the following:

1. **DANGER: RISK OF ELECTRIC SHOCK.** Connect only to a circuit protected by a **ground-fault circuit-interrupter**.
2. Grounding is required. The unit should be installed by a qualified installation technician.
3. Building materials and wiring should be routed away from the pump body or other heat-producing components of the unit.

ELECTRICAL SPECS

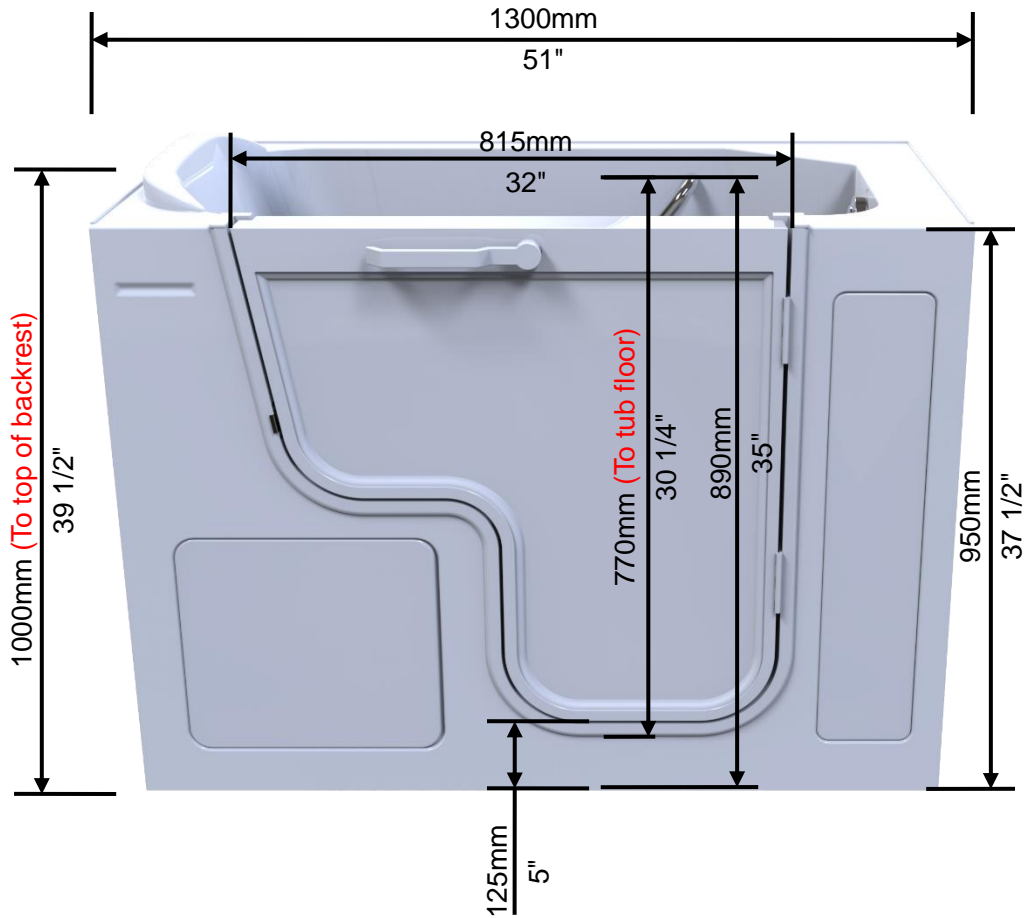


	AIR BLOWER	WATER PUMP	SEAT WARMER	CHORMA	TOTAL REQUIRED
AMPS	4	8.5	0.75	0.1	13.35
HP	1/2	1-1/4			3-3/4
PHASE	1	1			1
VOLTS	120	120	24	12	120

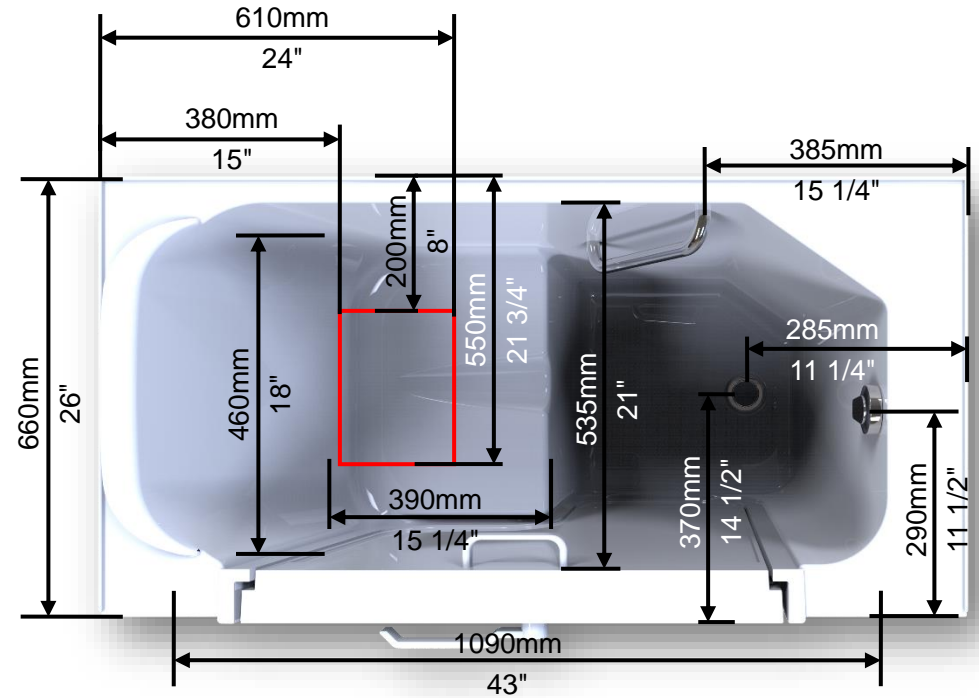
	AMPS	HP	PHASE	VOLTS
WATER HEATER	13.6	2	1	

Rough-In OH 5126

Front View



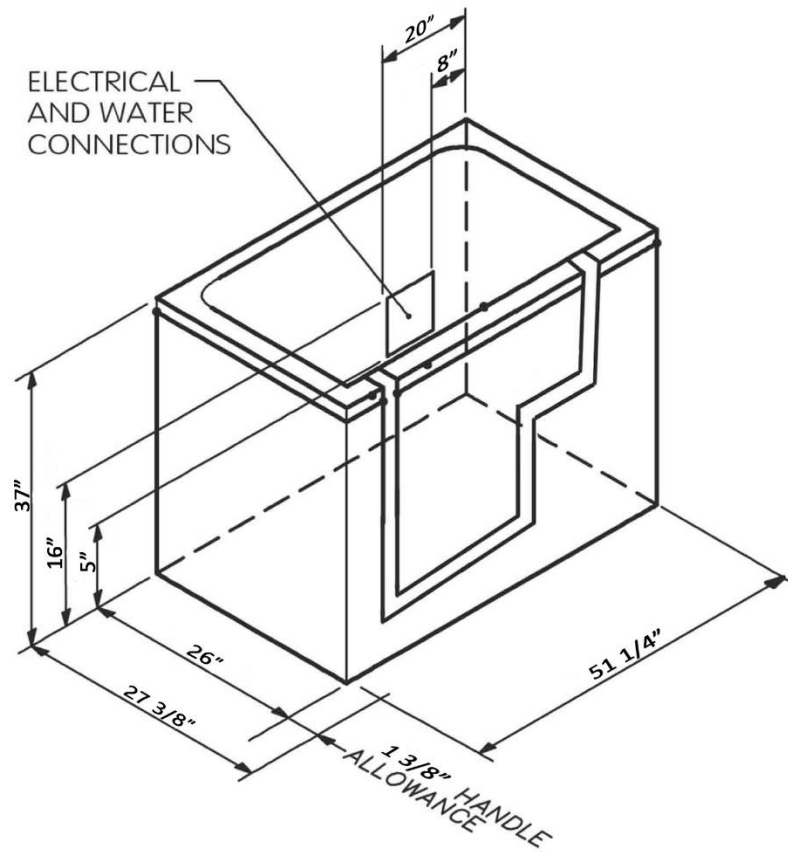
Top View



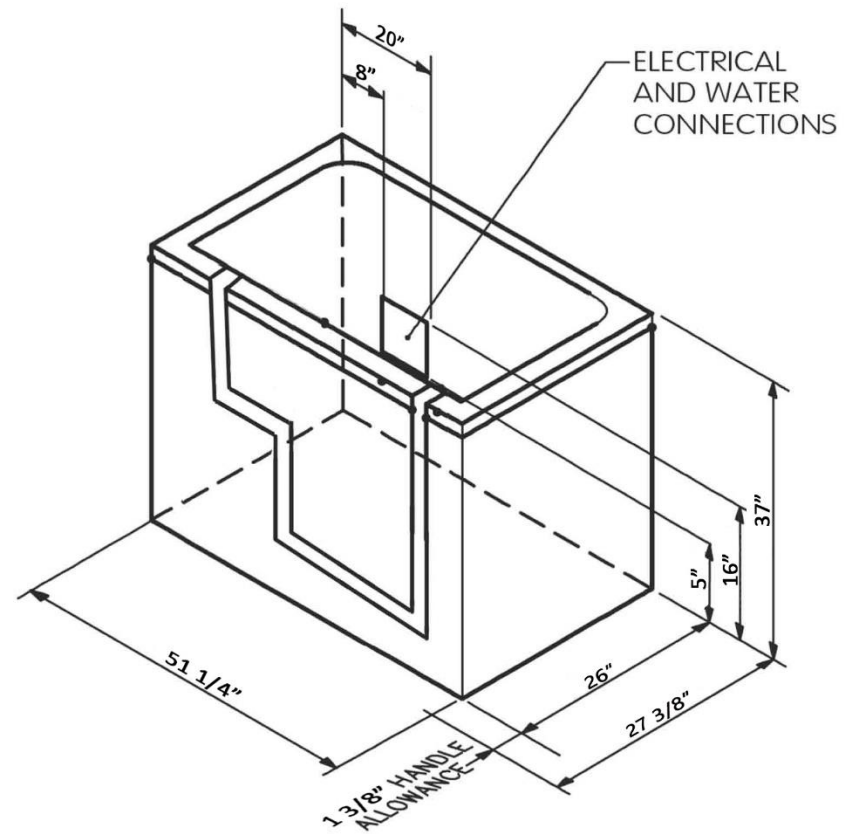
Slight changes or differences may exist between the indicated dimensions in the drawings and pictures and the actual dimensions or product. Should an outdated or incorrect drawing or picture be used, we will not be held liable.

Rough-In OH 5129

Left-Hand Rough-In



Right-Hand Rough-In



Assembly

Step 1. Flush all water supply lines of debris.

Step 2. Remove all access panels.

Step 3. Attach grab bar.

Step 4. Attach valve and handheld shower.

Step 5. Place unit where it is to be installed.

Step 6. Screw in center support legs.

Step 7. Level unit by adjusting (4) corner legs.

Step 8. Screw out center support legs.

Step 9. Connect drain.

Step 10. Connect water.

Step 11. Connect power.

Step 12. Turn on water to inspect water connections.

Step 13. Fill the unit with approximately 8" of water.

Step 14. Verify drain plunger opens and closes freely. Adjust if necessary and tighten stem lock nut (see picture).

Step 15. Fill the unit to top of seat level.

Step 16. Repeat step 15.

Step 17. Fill the unit with water above the jets.

Step 18. Repeat step 15.

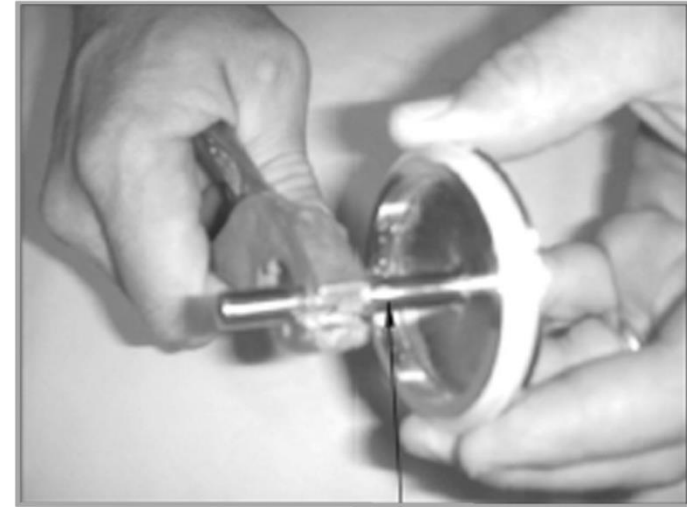
Step 19. Energize jetting system, inspect jet connections.

Step 20. Drain the unit.

Step 21. Inspect drain connections.

Step 22. Install access panels if necessary.

Step 23. Give owner's manual and warranty registration to owner.



STEM LOCK NUT

Control Panel Operating

1. On\Off

Press to activate controls, backlit LED white light will come on; all hydrotherapy options can now be used. Selecting an option changes back light from white to blue to show the function is now active.

2. Chroma Therapy

This button activates the chroma therapy light.

1st Press - Turns on the chroma therapy for duration of 20 min.

2nd Press: Stops cycling through the colors so light stays on the selected color.

3rd Press: Turns off the chroma therapy light

When in cycling mode each color changes after 8 sec.

3. Seat Warmer

This button activates the seat warmer.

1st Press - Turns on the seat warmer for a duration of 20 min.

2nd Press: Turns off the seat warmer.

5. Variable Speed Water Jets

This button activates the variable speed water jets for duration of 20 min. Press to cycle between the 4 different speed settings:

1st Press: Starts water jets in high mode

2nd Press: Switches water jets to low mode

3rd Press: Switches water jets to pulse mode - low to high

4th Press: Switches water jets to pulse mode - high to low

5th Press: Turns off the water jets

The water jet button will blink if pressed before the water reaches the water sensor level, once water reaches this level the jets will activate.

6. Purge & Sterilization Functions

Once the control panel is shut off whether by the 60 minute master timer shutting off by default or by the user turning it off, the Ozone timer is set to come on 1 hr. after for a duration of 15 minutes to sterilize the air and water plumbing lines. The master timer shutting off also starts the air blower purge timer that is set to come on 30 minutes after for a duration of 2 minutes. The Ozonator will only turn on if the tub is empty and the sensor does not detect water. The On\Off button will blink after system is shut off to indicate the ozone and blower purge timer is on countdown. Once cycle is complete will stop blinking.

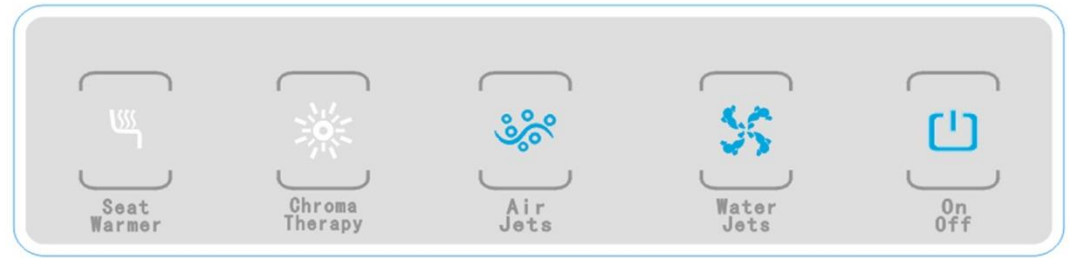
7. Other Safety Features

Turning on the air jets on the 1st press resets the 20 minute timer for the Chroma & Seat Warmer

Turning on the water jets on the 1st press resets the 20 minute timer for the Chroma & Seat Warmer.

There are 2 thermal switches inside each seat heat pad that shut it off should the temperature meet or exceed 131 degrees Fahrenheit (55 C).

When the water reaches 104 degrees Fahrenheit (40 C) the water heater automatically shuts off and will turn back on again during the 20 min water jet cycle should the water temp. drop below 104 F.



4. Air Jets

This button activates the air jets.

1st Press: Turns on the air jets for duration 20 min.

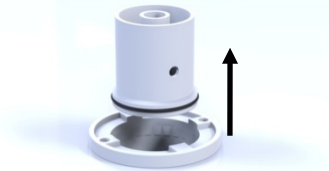
2nd Press: Turns off the air jets.

Aromatherapy

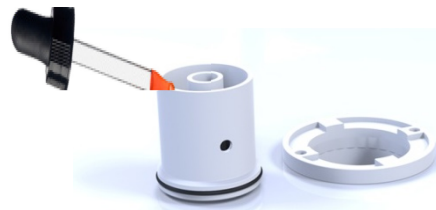
Step 1. Open aroma therapy cap.



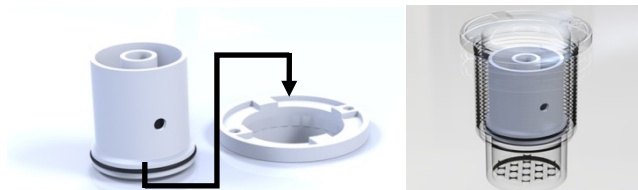
Step 2. Remove aroma diffuser basket.



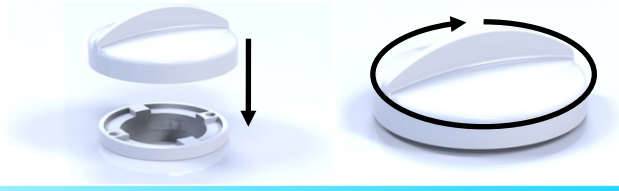
Step 3. Add essential oil or aroma salts to the basket.



Step 4. Replace the basket inside the aroma therapy diffuser.



Step 5. Tighten the cap for best diffusion effect through air bubbles in water.



The Aroma Therapy Diffuser fills the bath space with a lovely fragrance that can lift the mood and relieve stress.

Aromatherapy essential oils can be found at most grocery stores and online. Place 8-10 drops of a desired blend inside the diffuser basket prior to bathing.

Note: It is important that you do not use Epsom salts in your bathtub. Not only does this potentially lead to a chemical imbalance in the water causing skin burns, but it can also damage the pump.

If you want to use aromatherapy salts, check with your aromatherapy salt supplier to make sure that are safe for whirlpool bathtubs with motors, i.e salts that fully dissolve in the water. Only use substances in the water specifically designed for use in whirlpool bathtubs.

Cleaning the basket is recommended after each use, but not required if continued use of the same essential oil or aroma salts are intended.

Troubleshooting

Troubleshooting - Air Jetting

Always switch off power before servicing.

Blower fails to operate:

1. Verify that electronic touch control is connected properly (refer to wiring diagram).
2. Check electric power supply Reset circuit breaker or replace fuse if necessary.
3. Check ground fault circuit interrupter. Reset if tripped.
4. If the system has been functioning for quite some time, it is possible that the thermic protection has shut off the motor. Let it cool off for at least 30 minutes before using it again.

Motor runs, but no air comes through the jets:

1. Verify that the main air hose from manifold to blower is properly connected. If necessary, reconnect and tighten clamps.

Air outlets of jet heads are obstructed:

1. If the air outlets of a jet head are obstructed by soap or other residues, fill tub with warm water, then switch system ON and OFF several times. The air outlets should be cleared, if this is not sufficient, carefully tap on the jet heads with the handle of a screw driver or a similar tool (plastic) while the blower is running.

The air heater seems not to work:

1. To verify the operation of the air heater, fill the bathtub to working level and operate blower on high turbulence for approximately 5 minutes. Carefully feel the flexible connection hose where it connects to the blower. The hose and its immediate area should feel warm to the touch. If not, contact your local distributor.
2. If your tub is installed against two outside walls, it is recommended to ensure adequate insulation for these outside walls to minimize heat loss.
3. Skin sensitive people might experience the so-called "cold air effect" which is caused by the sensation of air bubbles running along the wet skin and providing the bather with a shivering sensation. Just move your body slightly away from the closest jet to stop the sensation of cold air. (NOTE: Even if the out coming air would be hot enough to burn the skin, this shivering effect would still persist.)

Note: The air heater is not designed to heat your bath water, just to preheat the incoming air to body temperature.

The drying cycle:

1. Verify with our electronic control instructions.

Troubleshooting - Water Jetting

Always switch off power before servicing.

The electronic control fails to operate:

1. Verify electric power supply Reset circuit or replace fuse if necessary.
2. Verify all electrical connections (including keypad connection).
3. Verify that the Ground Fault Circuit Interrupter (G.F.C.I.) has not tripped.
4. If the system has been functioning for quite some time, it is possible that the thermal protection has shut off the motor. It is programmed to switch off the system and to wait for at least 30 minutes before using it again. Verify that air is flowing through all jets. If not, cover the jets with warm water, then switch system ON and OFF several times. The air outlets should be cleared. If this is not sufficient, carefully knock on the jet heads with the handle of a screwdriver or similar tool (plastic), while the blower is running.

The blower or pump never stops:

1. Verify that the blower is well connected to the control box.
2. Verify the keypad connection.
3. Verify that there is no water reaching the electrical components under your bathtub.

The electronic control fails to operate:

1. Verify the keypad connection.