

Lura® Wall Mounted Shower Arm

FEATURES:

- Metal construction
- 1/2" -14 NPT female inlet/outlet
- Corrosion resistant finishes
- Coordinates with Lura Collection

STOCK FINISHES:



PC MB BBZ

WARRANTY:

Visit www.speakman.com for full product warranty information

- Limited Lifetime Warranty (consumer)
- 1 Year Limited Warranty (commercial)



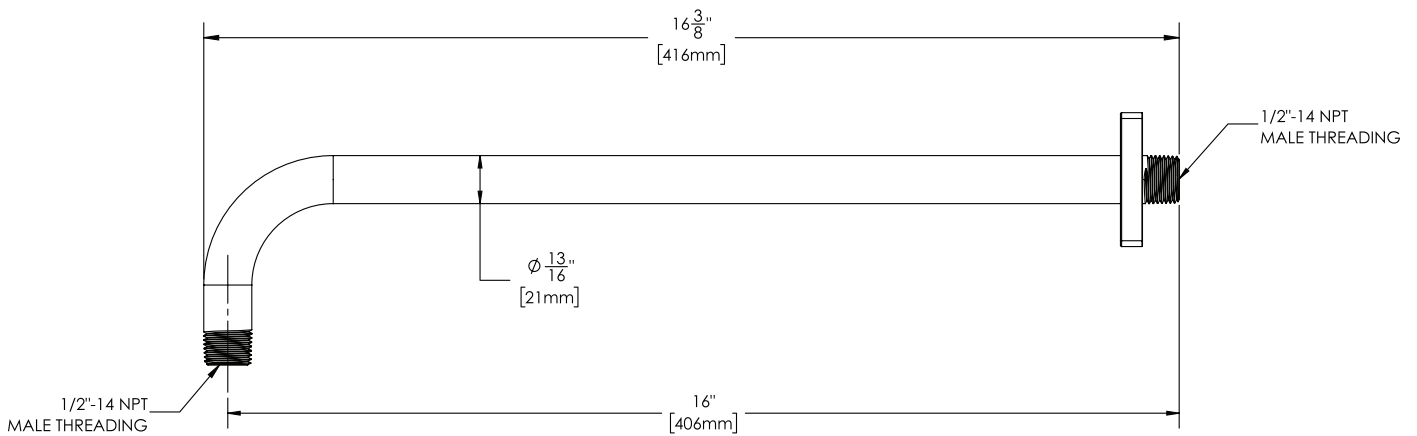
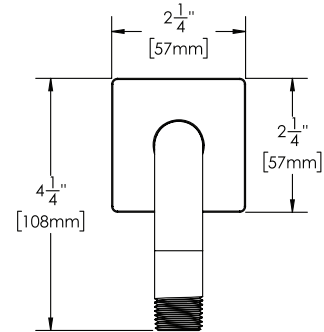
Information continues on next page

All dimensions are in inches (millimeters) unless otherwise specified and are subject to change without notice.

Architect/Engineer Approval Space:

P: 800-537-2107
F: 800-977-2747
W: WWW.SPEAKMAN.COM
R: 01-FEBRUARY 2020

Lura® Wall Mounted Shower Arm



All dimensions are in inches (millimeters) unless otherwise specified and are subject to change without notice.

Architect/Engineer Approval Space:

P: 800-537-2107
F: 800-977-2747
W: WWW.SPEAKMAN.COM
R: 01-FEBRUARY 2020