

# SPEAKMAN® S-2460

## Commercial Brass Showerhead

### FEATURES:

- Vandal-resistant standard
- 1/2 in. NPT inlet
- Solid brass wall mounted showerhead
- 2 in. face 60 spray channels at three different angles to allow a full coverage shower
- Drilled for, but less mounting bolts
- Water conserving pressure compensating Autoflo® device reduces flow to a maximum of 2.5 gpm (9.46 L/min) flow rate

### FINISH:



PC

### OPTION:

Add suffix to model #

- Anchor plate assembly with mounting screws  -AP

### COMPLIANCE:

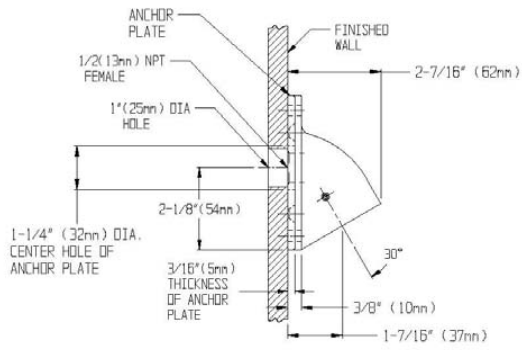
- ASME A112.18.1/CSA B125.1 standard

### WARRANTY:

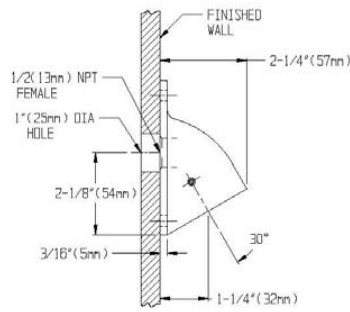
- 5 year limited



**DIMENSIONS:** NOTE: 1. All dimensions are in inches (millimeters) unless otherwise specified and are subject to change without notice. 2. Unless otherwise specified, all inlets and outlets are 1/2" female NPT threads.



S-2460-AP



S-2460

