

Commander Two Handle Laboratory Gooseneck Faucet

FEATURES:

- Brass construction with corrosion resistant polished chrome finish
- Gooseneck rigid/swivel spout
- Vandal-resistant lever handles with color-coded indexes
- 1/4 turn ceramic cartridges to ensure drip-free performance
- Vandal-resistant 0.5 GPM (1.89 L/min) flow control
- Accommodates installations up to 2-1/4" thick
- Single hole mounting
- 1/2" -14 NPSM inlets (supply lines not included)
- Drain assembly not included

AERATOR/FLOW RATE ADD-ONS:

- A-EA12: 1.2 GPM (4.54 L/min) Aerator Flow Control
- A-ELF: 1.2 GPM (4.54 L/min) Laminar Flow Aerator
- A-FC35: 0.35 GPM (1.32 L/min) Non-Aerated Flow Control

HANDLE ADD-ONS:

- A-4WRIST: 4" Wrist Handle Kit
- A-CROSS: Cross Handle Kit

STANDARDS:

- ASME A112.18.1/CSA B125.1 certified
- NSF/ANSI 61 certified
- NSF/ANSI 372 certified

WARRANTY:

Visit www.speakman.com for full product warranty information

- 5 Year Limited Warranty (commercial)
- 5 Year Limited Warranty (residential)



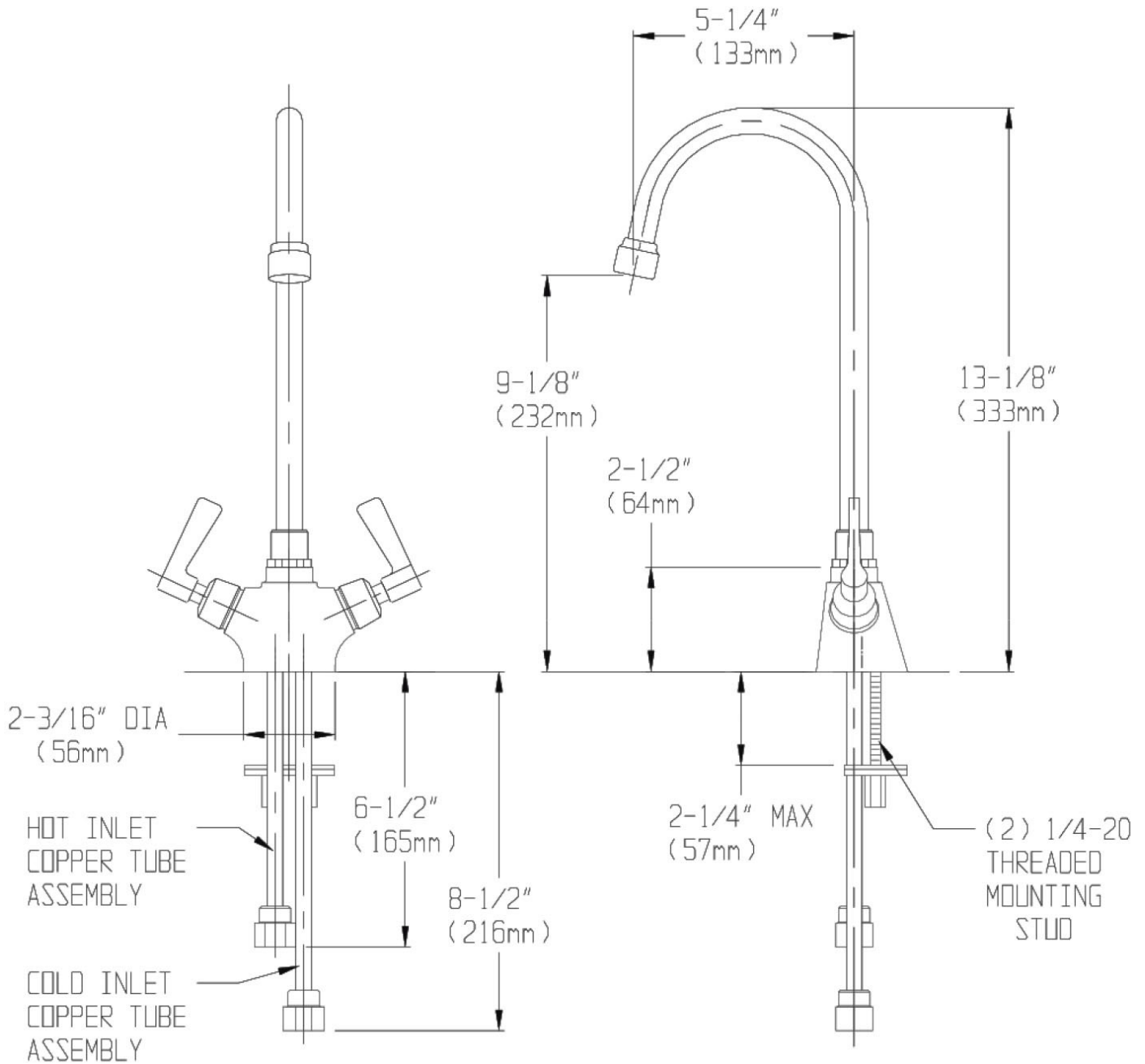
Information continues on next page

1. All dimensions are in inches (millimeters) unless otherwise specified and are subject to change without notice. 2. Inlet is sized for either coupling or sweat connection.

Architect/Engineer Approval Space:

P: 800-537-2107
F: 800-977-2747
W: WWW.SPEAKMAN.COM
R: 02-NOVEMBER 2019

Commander Two Handle Laboratory Gooseneck Faucet



1. All dimensions are in inches (millimeters) unless otherwise specified and are subject to change without notice.

Architect/Engineer Approval Space:

P: 800-537-2107
 F: 800-977-2747
 W: WWW.SPEAKMAN.COM
 R: 02-NOVEMBER 2019