

CODE NUMBER

2102309

DESCRIPTION

Vitreous China Floor-Mounted Junior Water Closet.

DETAILS

- Flush Volume: 1.1-1.6 gpf (4.2-6.0 Lpf)
- Flush volume determined by the flushometer used with the fixture.
- Rim Height: 10 ¾" (273mm)
- Nominal Dimensions: 27" x 13" x 10 ¾" (686 x 330 x 273mm)

FEATURES

- White Vitreous China
- Floor mounted, floor outlet
- 10¾" rim height for toddlers
- Water spot area: 9½" x 9¼" (24 cm x 23 cm)
- 1½" I.P.S. top spud inlet
- 2½" fully glazed trapway
- Closet bolts and caps included
- Toilet seat not included

RECOMMENDED SEATS

- Bemis - BB955CT
- Church - 1580CT

PLUMBING SYSTEM REQUIREMENTS

- Minimum Flowing Pressure: 25 PSI (172 kPa)
- Maximum Static Pressure: 80 PSI (552 kPa)
- Minimum Flow Rate: 25 gpm (95 Lpm)

DOWNLOADS

- [ST 2309 Top Spud Junior Installation Instructions](#)
- [SS/ST/SU/WETS/WEUS Fixtures Repair and Maintenance Guide](#)
- [Additional Downloads](#)

**COMPLIANCES & CERTIFICATIONS**

(cUPC Certified, CEC Compliant, CalGreen Compliant, WaterSense Listed)

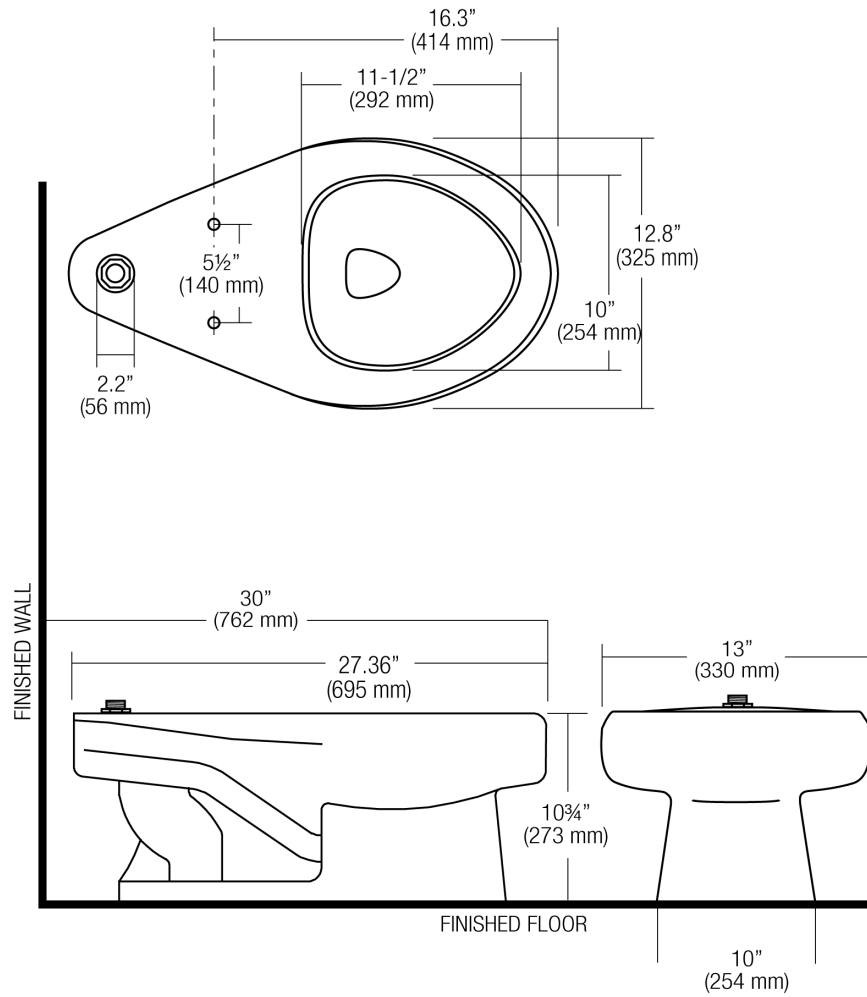
NOTES

All information contained within this document subject to change without notice.

All vitreous china dimensions shown in these drawings are nominal and not to scale. Dimensions can vary within the tolerances established in the governing ASME A112.19.2/CSA B45.1 standard. It is important to consider this when planning rough-in and plumbing layouts.

[Find a compatible flushometer](#) for this water closet.

ROUGH-IN



Sloan 10500 Seymour Ave, Franklin Park, IL 60131
 Phone: 800.982.5839 • Fax: 800.447.8329 • sloan.com