

**Feature**

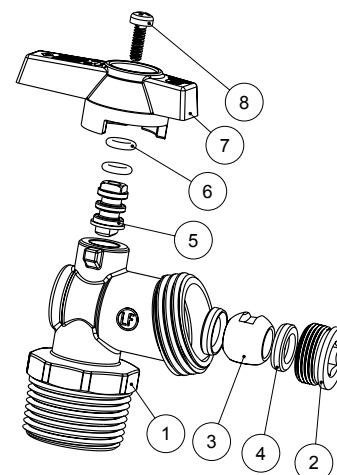
- 125# CWP
- Lead free brass body
- MNPT x Hose
- Threaded end (ASME B1.20.1-NPT)
- 1/2" will also accept copper tube for solder joint
- Chrome plated ball
- Virgin PTFE seats
- No Kink spout
- Double NBR O-ring packing
- AB1953, NSF/ANSI 61 & 372 certified

RW-514AB: Red handle  
 RW-514ABBLUE: Blue handle



**Material**

|   | Part       | Material                  | Specification    |
|---|------------|---------------------------|------------------|
| 1 | Body       | Lead Free Brass           | ASTM B927 C27450 |
| 2 | End piece  | Lead Free Brass           | ASTM B927 C27450 |
| 3 | Ball       | Lead Free Brass/Cr Plated | ASTM B927 C27450 |
| 4 | Seat       | PTFE                      | PTFE             |
| 5 | Stem       | Lead Free Brass           | ASTM B927 C27450 |
| 6 | O-ring     | NBR                       | NSF Approved     |
| 7 | Handle     | Aluminum                  | -                |
| 8 | Handle nut | Steel / Zn Plated         | ASTM 36          |



**Dimension**

|      | T            | A    | H    | H1   | L    | Wt.  |
|------|--------------|------|------|------|------|------|
|      |              | [in] | [in] | [in] | [in] | [lb] |
| 1/2" | 1/2 - 14 NPT | 1.32 | 1.20 | 1.34 | 1.89 | 0.30 |
| 3/4" | 3/4 - 14 NPT | 1.32 | 1.20 | 1.34 | 1.89 | 0.34 |

