

## Feature

- DZR brass union ball valve with drain
- Blow-out proof stem
- Adjustable packing nut
- Full port
- MSS-SP-110
- Blow down valve with capped 3/4" hose end
- Provided with 1 test point installed
- Additional 1/4" port tapped

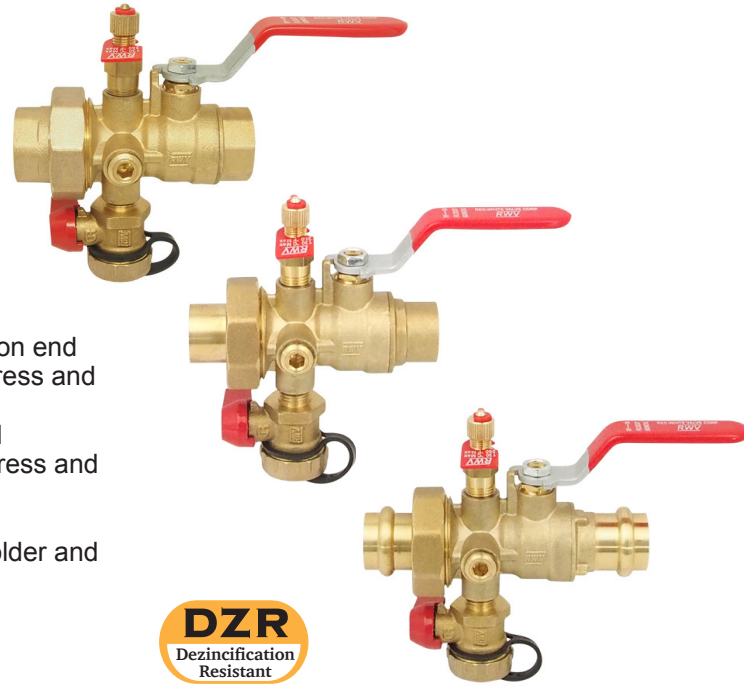
Available in:

- Fig. 92UDT - FNPT end (ASME B1.20.1 - NPT) with union end FNPT tailpiece standard, MNPT, Solder, Press and PEX (F1960) tailpiece options available
- Fig. 92UDS - Solder end (ASME B16.22) with union end Solder tailpiece standard, FNPT, MNPT, Press and PEX (F1960) tailpiece options available
- Fig. 92UDP - Press end with union end Press tailpiece standard, FNPT, MNPT, Solder and PEX (F1960) tailpiece options available

600WOG @ 160°F

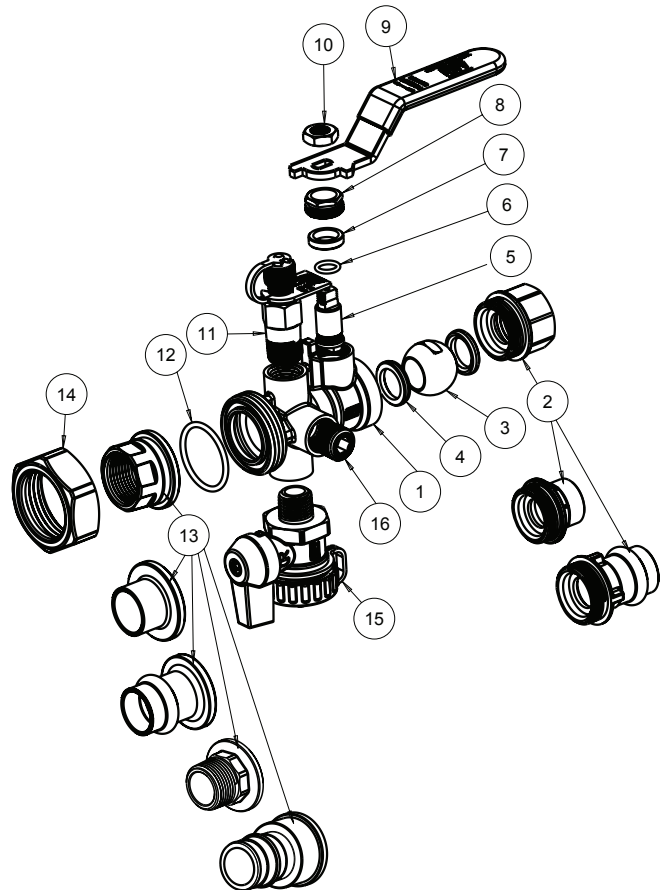
Working conditions:

- Water: from 15°F to 260°F
- below 32°F only for water with added antifreezing fluids
- over 212°F only for water with added anti-boiling fluids



## Material

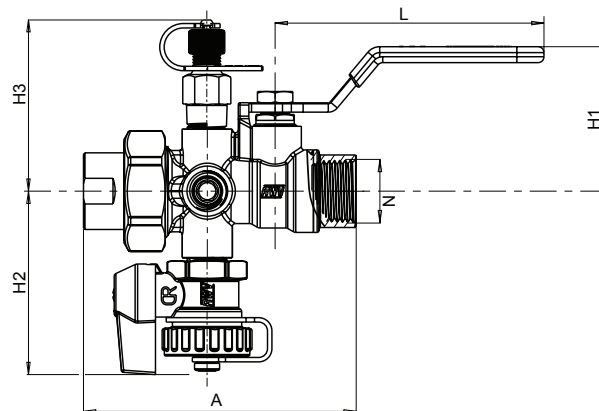
|    | Part         | Material            | Specification    |
|----|--------------|---------------------|------------------|
| 1  | Body         | DZR Brass           | UNS C35330       |
| 2  | Fixed-end    | DZR Brass           | UNS C35330       |
| 3  | Ball         | DZR Brass/Cr plated | UNS C35330       |
| 4  | Seat         | PTFE                | -                |
| 5  | Stem         | DZR Brass           | UNS C35330       |
| 6  | O-ring       | EPDM Perox          | -                |
| 7  | Packing ring | PTFE                | -                |
| 8  | Packing nut  | Brass               | ASTM B124 C37700 |
| 9  | Handle       | Steel / Dc plated   | ASTM A36         |
| 10 | Nut          | Steel / Zn plated   | ASTM A36         |
| 11 | Pressure tap | DZR Brass           | UNS C35330       |
| 12 | O-ring       | EPDM Perox          | -                |
| 13 | Tailpiece    | DZR Brass           | UNS C35330       |
| 14 | Union Nut    | Brass               | ASTM B283 C37700 |
| 15 | Ball         | DZR Brass           | UNS C35330       |
| 16 | Plug 1/4"    | DZR Brass           | UNS C35330       |



### Dimension, Cv, Weight

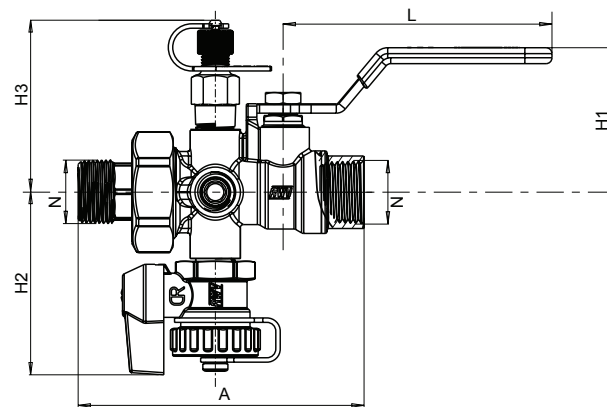
#### 92UDT-FF

| Size | N<br>[in]     | A<br>[in] | L<br>[in] | H1<br>[in] | H2<br>[in] | H3<br>[in] | Cv   | Weight<br>[lb] |
|------|---------------|-----------|-----------|------------|------------|------------|------|----------------|
| ½"   | ½ - 14 NPT    | 3.64      | 3.58      | 1.93       | 0.94       | 2.28       | 10.4 | 1.16           |
| ¾"   | ¾ - 14 NPT    | 3.91      | 3.58      | 2.07       | 1.10       | 2.40       | 24.4 | 1.44           |
| 1"   | 1 - 11.5 NPT  | 4.46      | 4.96      | 2.36       | 1.22       | 2.48       | 51.7 | 2.00           |
| 1¼"  | 1¼ - 11.5 NPT | 4.85      | 4.96      | 2.60       | 1.57       | 2.68       | 96.8 | 2.78           |
| 1½"  | 1½ - 11.5 NPT | 5.44      | 5.55      | 2.87       | 1.85       | 2.79       | 104  | 4.01           |
| 2"   | 2 - 11.5 NPT  | 7.20      | 5.55      | 3.25       | 1.85       | 3.00       | 332  | 5.74           |



#### 92UDT-FM

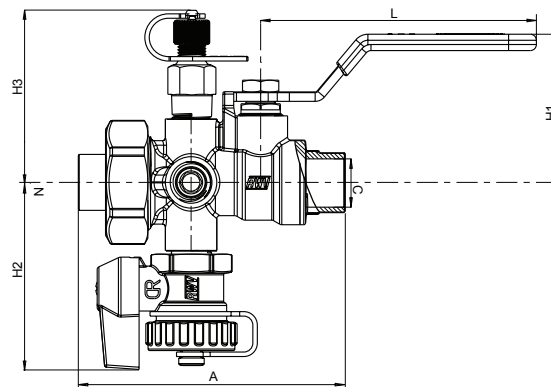
| Size | N<br>[in]     | A<br>[in] | L<br>[in] | H1<br>[in] | H2<br>[in] | H3<br>[in] | Cv   | Weight<br>[lb] |
|------|---------------|-----------|-----------|------------|------------|------------|------|----------------|
| ½"   | ½ - 14 NPT    | 3.98      | 3.58      | 1.93       | 0.94       | 2.28       | 10.4 | 1.12           |
| ¾"   | ¾ - 14 NPT    | 4.14      | 3.58      | 2.07       | 1.10       | 2.40       | 24.4 | 1.32           |
| 1"   | 1 - 11.5 NPT  | 4.92      | 4.96      | 2.36       | 1.22       | 2.48       | 51.7 | 1.89           |
| 1¼"  | 1¼ - 11.5 NPT | 5.13      | 4.96      | 2.60       | 1.57       | 2.68       | 96.8 | 2.80           |
| 1½"  | 1½ - 11.5 NPT | 6.55      | 5.55      | 2.87       | 1.85       | 2.79       | 104  | 4.09           |
| 2"   | 2 - 11.5 NPT  | 7.30      | 5.55      | 3.25       | 1.85       | 3.00       | 332  | 5.21           |



\* Male tailpiece can be downsized. Call for availability.

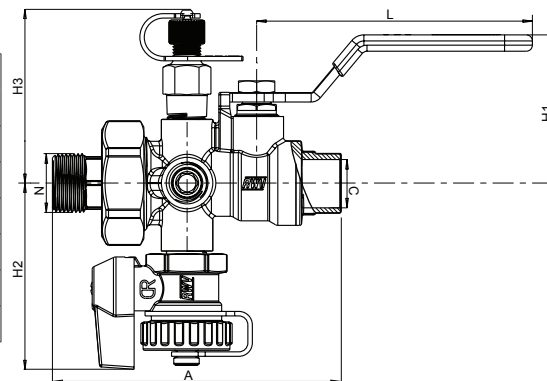
#### 92UDS-SS

| Size | C<br>[in]   | A<br>[in] | L<br>[in] | H1<br>[in] | H2<br>[in] | H3<br>[in] | Cv   | Weight<br>[lb] |
|------|-------------|-----------|-----------|------------|------------|------------|------|----------------|
| ½"   | 0.627-0.631 | 3.49      | 3.58      | 1.93       | 0.94       | 2.28       | 10.4 | 1.07           |
| ¾"   | 0.877-0.881 | 4.16      | 3.58      | 2.07       | 1.10       | 2.40       | 24.4 | 1.32           |
| 1"   | 1.128-1.131 | 4.95      | 4.96      | 2.36       | 1.22       | 2.48       | 51.7 | 1.86           |
| 1¼"  | 1.378-1.381 | 5.41      | 4.96      | 2.60       | 1.57       | 2.68       | 96.8 | 2.62           |
| 1½"  | 1.628-1.632 | 6.45      | 5.55      | 2.87       | 1.85       | 2.79       | 104  | 3.76           |
| 2"   | 2.128-2.132 | 7.80      | 5.55      | 3.25       | 1.85       | 3.00       | 332  | 4.86           |



#### 92UDT-SM

| Size | N<br>[in]     | C<br>[in]   | A<br>[in] | L<br>[in] | H1<br>[in] | H2<br>[in] | H3<br>[in] | Cv   | Weight<br>[lb] |
|------|---------------|-------------|-----------|-----------|------------|------------|------------|------|----------------|
| ½"   | ½ - 14 NPT    | 0.627-0.631 | 4.01      | 3.58      | 1.93       | 0.94       | 2.28       | 10.4 | 1.11           |
| ¾"   | ¾ - 14 NPT    | 0.877-0.881 | 4.38      | 3.58      | 2.07       | 1.10       | 2.40       | 24.4 | 1.38           |
| 1"   | 1 - 11.5 NPT  | 1.128-1.131 | 5.19      | 4.96      | 2.36       | 1.22       | 2.48       | 51.7 | 1.87           |
| 1¼"  | 1¼ - 11.5 NPT | 1.378-1.381 | 5.42      | 4.96      | 2.60       | 1.57       | 2.68       | 96.8 | 2.70           |
| 1½"  | 1½ - 11.5 NPT | 1.628-1.632 | 6.60      | 5.55      | 2.87       | 1.85       | 2.79       | 104  | 4.01           |
| 2"   | 2 - 11.5 NPT  | 2.128-2.132 | 7.89      | 5.55      | 3.25       | 1.85       | 3.00       | 332  | 5.09           |

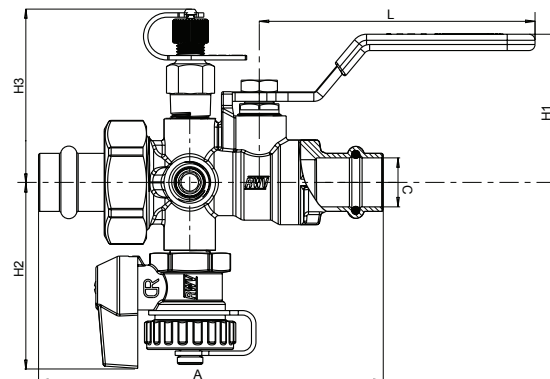


\* Male tailpiece can be downsized. Call for availability.

### Dimension, Cv, Weight

#### 92UDP-PP

| Size | C<br>[in] | A<br>[in] | L<br>[in] | H1<br>[in] | H2<br>[in] | H3<br>[in] | Cv   | Weight<br>[lb] |
|------|-----------|-----------|-----------|------------|------------|------------|------|----------------|
| ½"   | 0.64      | 4.48      | 3.58      | 1.93       | 0.94       | 2.28       | 10.4 | 1.13           |
| ¾"   | 0.89      | 4.86      | 3.58      | 2.07       | 1.10       | 2.40       | 24.4 | 1.39           |
| 1"   | 1.14      | 5.30      | 4.96      | 2.36       | 1.22       | 2.48       | 51.7 | 1.86           |
| 1¼"  | 1.39      | 5.92      | 4.96      | 2.60       | 1.57       | 2.68       | 96.8 | 2.62           |
| 1½"  | 1.64      | 7.22      | 5.55      | 2.87       | 1.85       | 2.79       | 104  | 3.76           |
| 2"   | 2.14      | 9.62      | 5.55      | 3.25       | 1.85       | 3.00       | 332  | 4.86           |



#### 92UDP-PM

| Size | N<br>[in]     | C<br>[in] | A<br>[in] | L<br>[in] | H1<br>[in] | H2<br>[in] | H3<br>[in] | Cv   | Weight<br>[lb] |
|------|---------------|-----------|-----------|-----------|------------|------------|------------|------|----------------|
| ½"   | ½ - 14 NPT    | 0.64      | 4.51      | 3.58      | 1.93       | 0.94       | 2.28       | 10.4 | 1.13           |
| ¾"   | ¾ - 14 NPT    | 0.89      | 4.86      | 3.58      | 2.07       | 1.10       | 2.40       | 24.4 | 1.39           |
| 1"   | 1 - 11.5 NPT  | 1.14      | 5.54      | 4.96      | 2.36       | 1.22       | 2.48       | 51.7 | 1.91           |
| 1¼"  | 1¼ - 11.5 NPT | 1.39      | 5.63      | 4.96      | 2.60       | 1.57       | 2.68       | 96.8 | 2.75           |
| 1½"  | 1½ - 11.5 NPT | 1.64      | 7.22      | 5.55      | 2.87       | 1.85       | 2.79       | 104  | 4.01           |
| 2"   | 2 - 11.5 NPT  | 2.14      | 9.62      | 5.55      | 3.25       | 1.85       | 3.00       | 332  | 5.09           |

\* Male tailpiece can be downsized. Call for availability.

