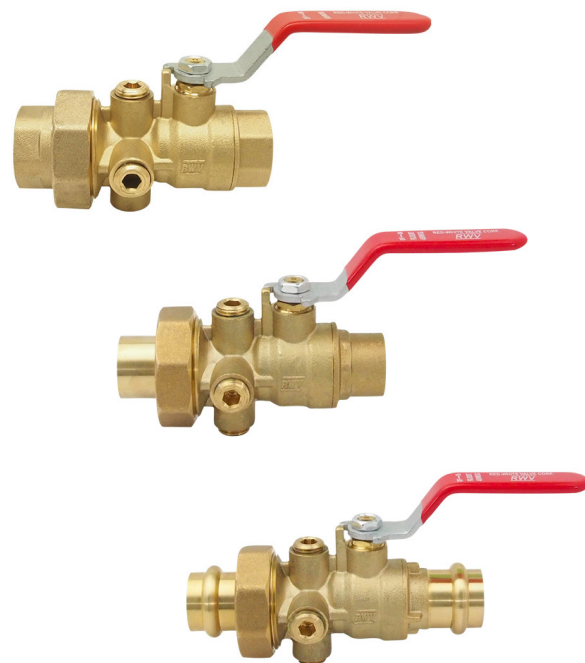


Feature

- DZR brass union ball valve
- Blow-out proof stem
- Adjustable Packing Nut
- Full port
- MSS-SP-110
- Triple 1/4" port tapped



Available in:

- Fig. 92UBT - FNPT end (ASME B1.20.1 - NPT) with union end FNPT tailpiece standard, MNPT, Solder, Press and PEX (F1960) tailpiece options available
- Fig. 92UBS - Solder end (ASME B16.22) with union end Solder tailpiece standard, FNPT, MNPT, Press and PEX (F1960) tailpiece options available
- Fig. 92UBP - Press end with union end Press tailpiece standard, FNPT, MNPT, Solder and PEX (F1960) tailpiece options available

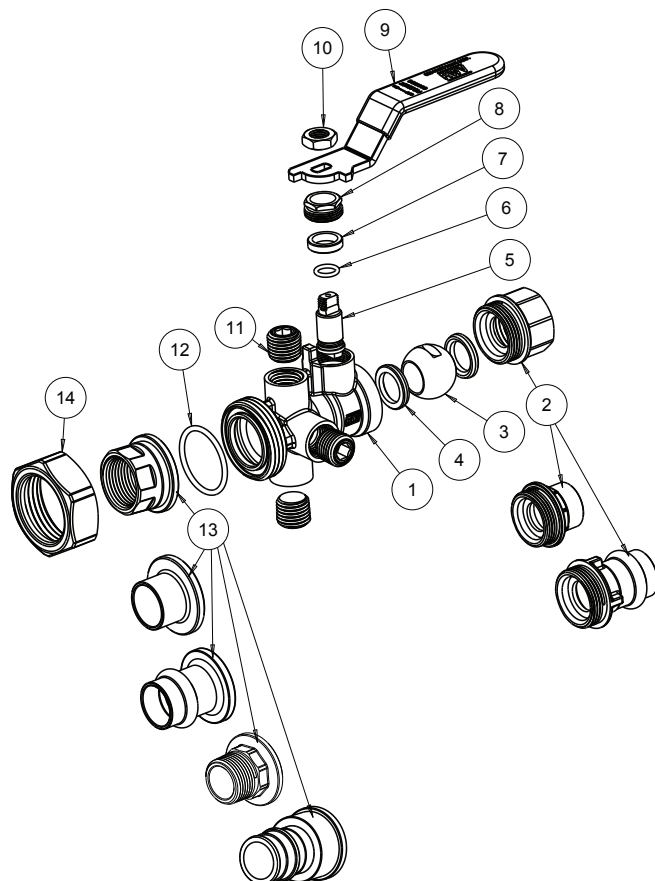
600WOG @ 160°F

Working conditions:

- Water: from 15°F to 260°F
- below 32°F only for water with added antifreezing fluids
- over 212°F only for water with added anti-boiling fluids

Material

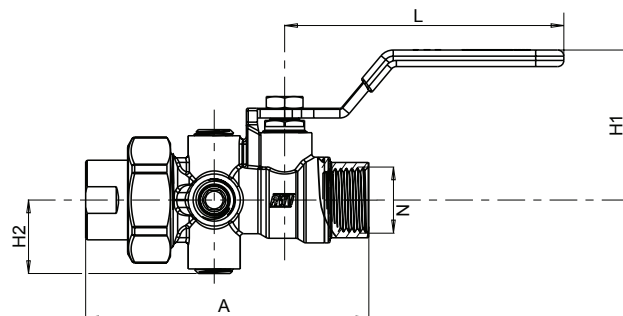
	Part	Material	Specification
1	Body	DZR Brass	UNS C35330
2	Fixed-end	DZR Brass	UNS C35330
3	Ball	DZR Brass/Cr plated	UNS C35330
4	Seat	PTFE	-
5	Stem	DZR Brass	UNS C35330
6	O-ring	EPDM Perox	-
7	Packing ring	PTFE	-
8	Packing nut	Brass	ASTM B124 C3770
9	Handle	Steel / Dc plated	ASTM A36
10	Nut	Steel / Zn plated	ASTM A36
11	Plug 1/4"	DZR Brass	UNS C35330
12	O-ring	EPDM Perox	-
13	Tailpiece	DZR Brass	UNS C35330
14	Union Nut	Brass	ASTM B283 C37700



Dimension, Weight

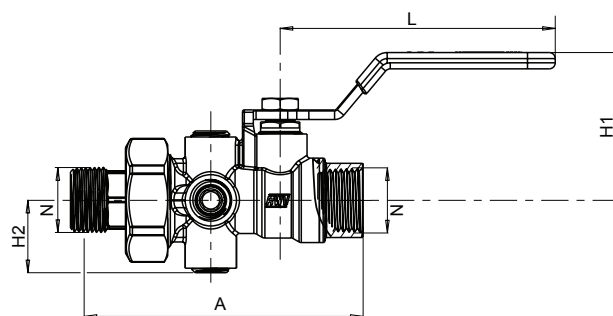
92UBT-FF

Size	N [in]	A [in]	L [in]	H1 [in]	H2 [in]	Cv	Weight [lb]
½"	½ - 14 NPT	3.64	3.58	1.93	0.94	10.4	0.85
¾"	¾ - 14 NPT	3.91	3.58	2.07	1.10	24.4	1.12
1"	1 - 11.5 NPT	4.46	4.96	2.36	1.22	51.7	1.69
1¼"	1¼ - 11.5 NPT	4.85	4.96	2.60	1.57	96.8	2.47
1½"	1½ - 11.5 NPT	5.44	5.55	2.87	1.85	104	3.70
2"	2 - 11.5 NPT	7.20	5.55	3.25	1.85	332	5.43



92UBT-FM

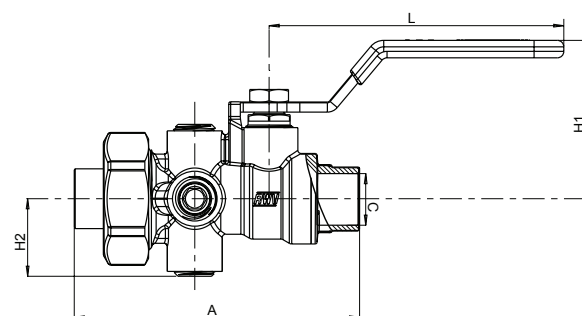
Size	N [in]	A [in]	L [in]	H1 [in]	H2 [in]	Cv	Weight [lb]
½"	½ - 14 NPT	3.98	3.58	1.93	0.94	10.4	0.81
¾"	¾ - 14 NPT	4.14	3.58	2.07	1.10	24.4	1.00
1"	1 - 11.5 NPT	4.92	4.96	2.36	1.22	51.7	1.58
1¼"	1¼ - 11.5 NPT	5.13	4.96	2.60	1.57	96.8	2.45
1½"	1½ - 11.5 NPT	6.55	5.55	2.87	1.85	104	3.78
2"	2 - 11.5 NPT	7.30	5.55	3.25	1.85	332	4.86



* Male tailpiece can be downsized. Call for availability.

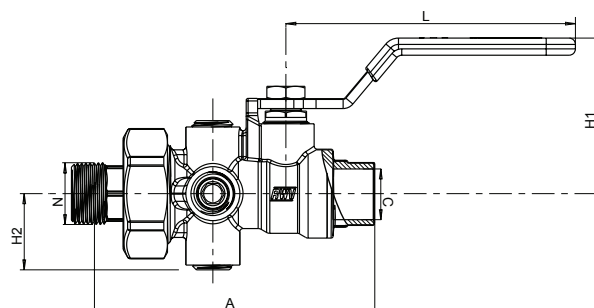
92UBS-SS

Size	C [in]	A [in]	L [in]	H1 [in]	H2 [in]	Cv	Weight [lb]
½"	0.627-0.631	3.49	3.58	1.93	0.94	10.4	0.76
¾"	0.877-0.881	4.16	3.58	2.07	1.10	24.4	1.00
1"	1.128-1.131	4.95	4.96	2.36	1.22	51.7	1.55
1¼"	1.378-1.381	5.41	4.96	2.60	1.57	96.8	2.31
1½"	1.628-1.632	6.45	5.55	2.87	1.85	104	3.45
2"	2.128-2.132	7.80	5.55	3.25	1.85	332	4.55



92UBT-SM

Size	N [in]	C [in]	A [in]	L [in]	H1 [in]	H2 [in]	Cv	Weight [lb]
½"	½ - 14 NPT	0.627-0.631	4.01	3.58	1.93	0.94	10.4	0.80
¾"	¾ - 14 NPT	0.877-0.881	4.38	3.58	2.07	1.10	24.4	1.06
1"	1 - 11.5 NPT	1.128-1.131	5.19	4.96	2.36	1.22	51.7	1.56
1¼"	1¼ - 11.5 NPT	1.378-1.381	5.42	4.96	2.60	1.57	96.8	2.43
1½"	1½ - 11.5 NPT	1.628-1.632	6.60	5.55	2.87	1.85	104	3.70
2"	2 - 11.5 NPT	2.128-2.132	7.89	5.55	3.25	1.85	332	4.78

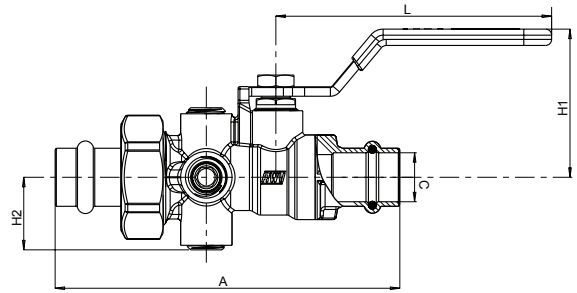


* Male tailpiece can be downsized. Call for availability.

Dimension, Weight

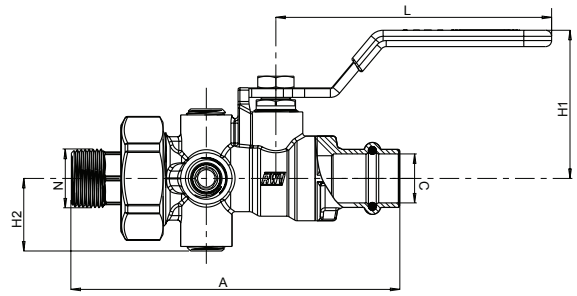
92UBP-PP

Size	C [in]	A [in]	L [in]	H1 [in]	H2 [in]	Cv	Weight [lb]
½"	0.64	4.48	3.58	1.93	0.94	10.4	0.82
¾"	0.89	4.86	3.58	2.07	1.10	24.4	1.07
1"	1.14	5.30	4.96	2.36	1.22	51.7	1.55
1¼"	1.39	5.92	4.96	2.60	1.57	96.8	2.33
1½"	1.64	7.22	5.55	2.87	1.85	104	3.45
2"	2.14	9.62	5.55	3.25	1.85	332	4.55



92UBP-PM

Size	C [in]	A [in]	L [in]	H1 [in]	H2 [in]	Cv	Weight [lb]
½"	0.64	4.51	3.58	1.93	0.94	10.4	0.76
¾"	0.89	4.86	3.58	2.07	1.10	24.4	1.00
1"	1.14	5.54	4.96	2.36	1.22	51.7	1.55
1¼"	1.39	5.63	4.96	2.60	1.57	96.8	2.31
1½"	1.64	7.22	5.55	2.87	1.85	104	3.45
2"	2.14	9.62	5.55	3.25	1.85	332	4.55



* Male tailpiece can be downsized. Call for availability.

