

Feature

- 200# WOG
- DZR lead free brass body
- Full port
- Dual EzPress ends
- Chrome plated ball
- PTFE seats
- Blow-out proof stem
- Double O-ring
- MSS-SP-110
- AB1953, NSF/ANSI 61 & 372 certified

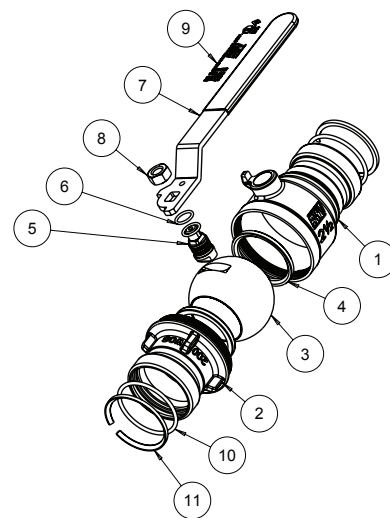
Meet BAA requirement



Pressure/ Temperature rating	
200 psi from 15 °F to 160 °F	100 psi max. at 250 °F

Material

Part	Material	Specification
1 Body	DZR Lead Free Brass	ASTM B927 C27453
2 End piece	DZR Lead Free Brass	ASTM B927 C27453
3 Ball	Lead Free Brass / Cr plated	ASTM B927 C28500
4 Seat	PTFE	PTFE
5 Stem	Lead Free Brass	ASTM B927 C28500
6 O-ring	EPDM Perox	NSF approved
7 Handle	Steel / Zn plated	A36
8 Handle nut	Steel / Zn plated	A36
9 Valve info	-	-
10 O-ring	EPDM Perox	NSF approved
11 Ring	Steel	ASTM A295 52100



Dimension, Cv, Weight

Size	A [in]	L [in]	H [in]	ΦD [in]	P [in]	C [in]	Cv	Wt. [lb]
2½"	7.48	11.06	3.86	2.65	2.44	1.93	409	6.83
3"	8.15	11.06	4.21	3.15	2.94	2.05	530	9.37
4"	9.72	11.06	4.96	4.17	3.94	2.24	972	17.86

