



Figure # 5020
Full Port EzPress Ball Valve

Product Features

- 600# WOG*
- Bronze Body
- Dual Female Press Ends
- Chrome Plated Ball
- PTFE Seats
- Blow-Out Proof Stem
- Adjustable Packing
- MSS-SP-110 Design



Technical Specifications

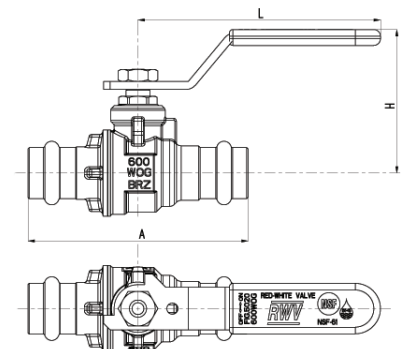
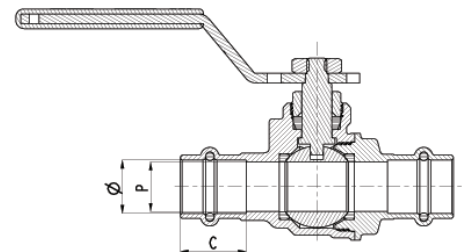
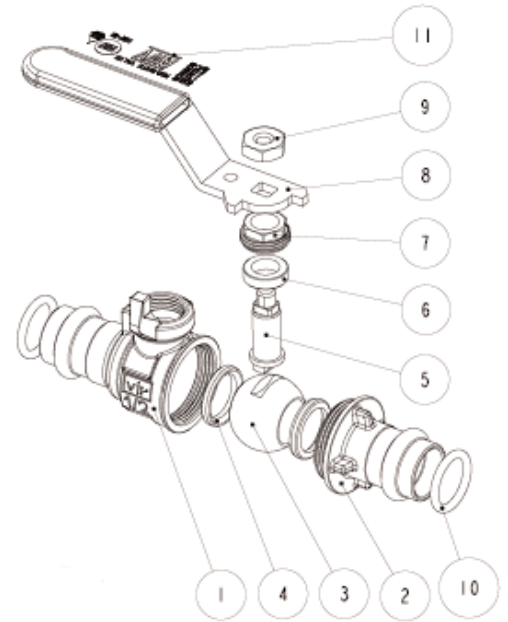
Size	1/2	3/4	1	1-1/4	1-1/2	2
Cv	15	30	60	110	130	360
T Max - F	266	266	266	266	266	266
P max valve @ 200F	600	600	600	600	600	600
*P max connection psi	200	200	200	200	200	200

Materials & Specifications

Item	Description	Material	Specification
1	Body	Bronze	ASTM B62-C83600
2	Body Cap	Bronze	ASTM B62-C83600
3	Ball	Brass	ASTM B124-C37700 Chromium Plated
4	Seat	PTFE	---
5	Stem	Brass	ASTM B124-C37700
6	Packing Ring	PTFE	---
7	Packing Nut	Brass	ASTM B124-C37700
8	Handle	Steel	ASTM A36 Dacromet Plated
9	Nut	Steel	ASTM A36 Zinc Plated
10	O-Ring	EPDM Perox	---

Dimensions & Weights (inches-lbs.)

Size	1/2	3/4	1	1-1/4	1-1/2	2
Ø	0.638	0.882	1.138	1.394	1.642	2.142
A	3.27	3.94	4.57	5.04	5.98	6.97
C	0.79	0.91	0.95	1.22	1.42	1.73
H	2.13	2.26	2.58	2.80	3.29	3.58
L	3.60	3.60	4.98	4.98	5.57	5.57
P	0.59	0.79	0.98	1.26	1.57	1.97
Wt. (lbs.)	0.55	0.79	1.30	1.90	3.08	4.45



RED-WHITE VALVE CORP. 20600 Regency Lane • Lake Forest, CA 92630
tel: 949.859.1010 • fax: 949.859.7200 • www.redwhitevalvecorp.com



Figure # 5020
Full Port EzPress Ball Valve

Product Features

- 200# WOG
- Bronze Body
- Dual Female Press Ends
- Chrome Plated Ball
- PTFE Seats
- Blow-Out Proof Stem
- Adjustable Packing
- MSS-SP-110 Base Design
- Compatible with XL series Jaws

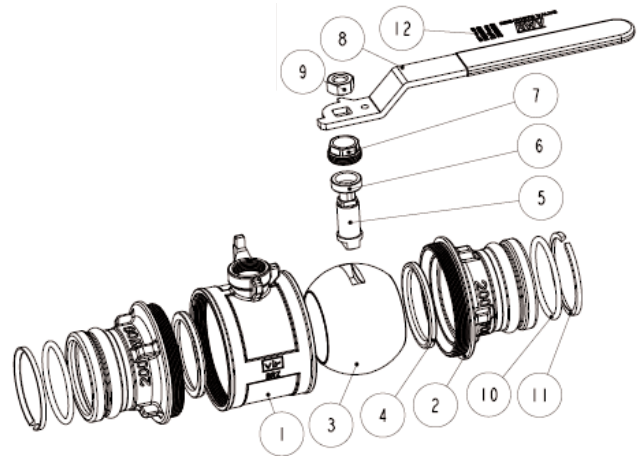


Technical Specifications

Size	2-1/2	3	4
Cv	450	620	1200
T Max - F	250	250	250
P max valve @ 250F	100	100	100
P max connection psi	200	200	200

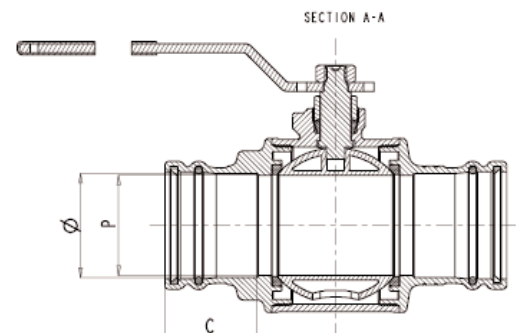
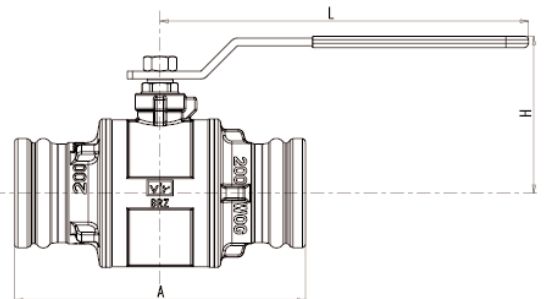
Materials & Specifications

Item	Description	Material	Specification
1	Body	Bronze	ASTM B30-C83600
2	Body Cap	Bronze	ASTM B30-C83600
3	Ball	Brass	ASTM B30-C85700 Chromium Plated
4	Seats	PTFE	---
5	Stem	Brass	ASTM B124-C37700
6	Packing Ring	PTFE	---
7	Packing Nut	Brass	ASTM B124-C37700
8	Handle	Steel	ASTM A36 Dacromet Plated
9	Nut	Steel	ASTM A36 Zinc Plated
10	O-Ring	EPDM Perox	NSF approved
11	Pressure Ring	Steel	Steel



Dimensions & Weights (inches-lbs.)

Size	2-1/2	3	4
Ø	2.66	3.14	4.17
A	8.74	9.45	10.12
C	2.36	2.36	2.52
H	4.69	5.14	5.64
L	11.07	11.07	11.07
P	2.55	3.07	3.94
Wt. (lbs.)	11.13	15.5	23.5



RED-WHITE VALVE CORP. 20600 Regency Lane • Lake Forest, CA 92630
tel: 949.859.1010 • fax: 949.859.7200 • www.redwhitevalvecorp.com