



ECO-VALVE

Figure # 5019AB

Low Lead Brass Pex End Flange Ball Valve

Product Features

- * 400# WOG
- * 3-Piece Construction
- * Regular Port
- * Virgin PTFE Seats
- * For use with PEX Tubing
- * Barb x Flange
- * ASME B16.1 Rotating Flange
- * ASTM F1960
- * Blow-Out Proof Stem
- * Double NBR O-ring Packing
- * NSF 61 & NSF 372 Certified
- * CSA B125.3
- * IAPMO/ANSI Z1157-14



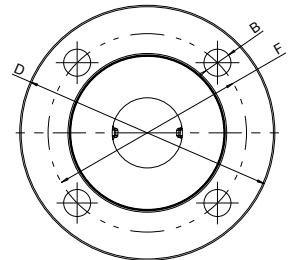
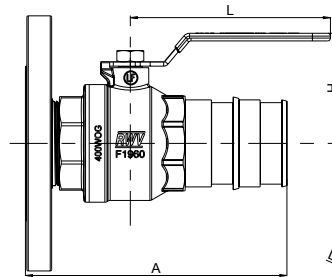
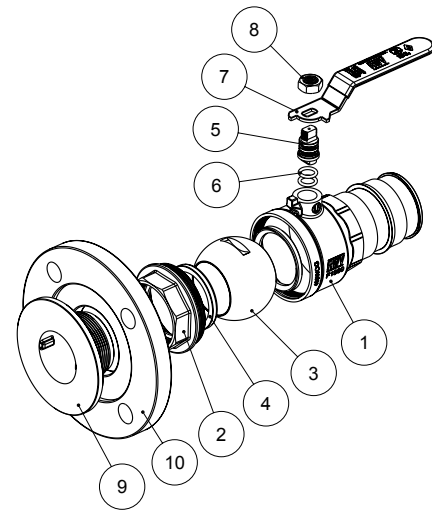
Certified to
ANSI/NSF 61



Pressure/Temperature Rating	
300 psi from 15°F to 160°F	150 psi MAX at 200°F

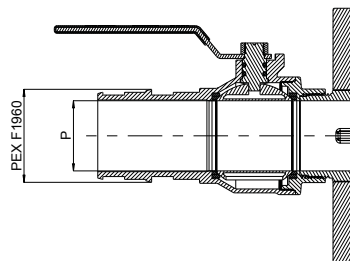
Materials & Specifications

Item	Description	Material	Specification
1	Body	Low Lead Brass	UNS C27453
2	End piece	Low Lead Brass	UNS C27453
3	Ball	Low Lead Brass/Cr Plated	UNS C27453
4	Seat	PTFE	PTFE
5	Stem	Low Lead Brass	UNS C27453
6	O-ring	NBR	NBR
7	Handle	Steel/Dc plated	ASTM A36
8	Nut	Steel/Zn plated	ASTM A36
9	Union	Low Lead Brass	UNS C27453
10	Flange	Brass	



Dimensions, Weights (inches-lbs.) & Valve Data

Size	2-1/2	3
A	7.26	8.77
H	3.07	3.90
L	7.26	7.91
P	1.95	2.44
B	0.75	0.75
F	5.51	5.98
D	7.09	7.48
Wt	11.62	16.57



RED-WHITE VALVE CORP.

20600 Regency Lane, Lake Forest, CA 92630

TEL: 949.859.1010 • FAX: 949.859.7200 • www.redwhitevalvecorp.com

(160120)