

Feature

- 400# WOG
- DZR lead free brass body
- Regular port
- Barb (F1960) x Barb (F1960)
- PEX ends (ASTM F1960)
- Chrome plated ball
- Virgin PTFE seats
- Blow-out proof stem
- Double NBR O-ring packing
- CSA B125.14
- AB1953, NSF/ANSI 61 & 372 certified



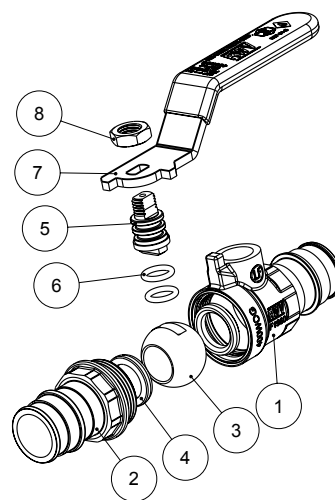
Option with wing handle (5015ABW) available



Pressure/ Temperature rating	
300 psi from 15 °F to 160 °F	150 psi max. at 200 °F

Material

	Part	Material	Specification
1	Body	DZR Lead Free Brass	ASTM B927 C27453
2	End piece	DZR Lead Free Brass	ASTM B927 C27453
3	Ball	DZR Lead Free Brass / Cr plated	ASTM B927 C27453
4	Seat	PTFE	PTFE
5	Stem	DZR Lead Free Brass	ASTM B927 C27453
6	O-ring	NBR	NSF approved
7	Handle	Steel / Dacromet® plated	ASTM A36
8	Handle nut	Steel / Zn plated	ASTM A36



Dimension, Cv, Weight

Size	A [in]	H [in]	L [in]	P [in]	Wt. [lb]
1/2"	2.48	1.38	3.19	0.39	0.28
5/8"	3.07	1.38	3.19	0.39	0.43
3/4"	2.48	1.77	3.58	0.50	0.44
1"	3.86	1.77	3.58	0.73	0.68
1 1/4"	4.63	2.03	4.96	0.94	1.16
1 1/2"	5.63	2.24	4.96	1.22	1.62
2"	6.67	2.70	5.55	1.46	2.78
2 1/2"	8.96	3.07	5.55	1.95	5.08
3"	10.81	3.90	7.91	2.44	8.92

