



**Figure # 4880**  
Stainless Ball Valve (1/2"-2")

**Product Features**

- 2000# WOG/100# WSP
- 316 Stainless Steel 2-Piece Body
- Threaded Ends
- Full Port
- Blow-Out Proof Stem
- Reinforced PTFE seats
- Locking handle
- MSS-SP-110

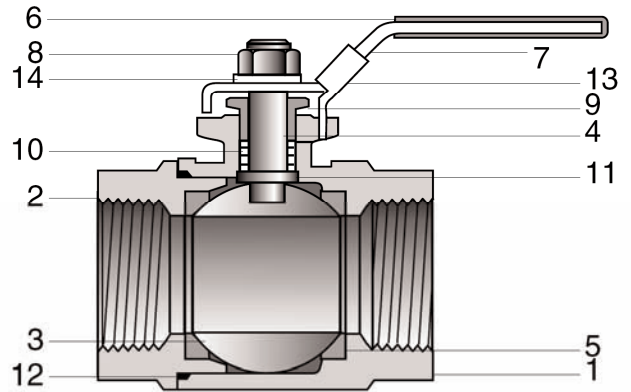


**Pressure/Temperature Ratings**

100 PSI max steam/ 2000# WOG	360 degrees F. max temp.
------------------------------	--------------------------

**Materials & Specifications**

Item	Description	Material	Specification
1	Body	Stainless Steel	A316 CF8M
2	End Cap	Stainless Steel	A316 CF8M
3	Ball	Stainless Steel	A276 316
4	Stem	Stainless Steel	A276 316
5	Seat	PTFE	-
6	Handle Sleeve	Vinyl	-
7	Handle	Stainless Steel	A276 304
8	Handle Nut	Stainless Steel	A276 304
9	Packing Nut	Stainless Steel	A276 304
10	Packing	PTFE	-
11	Washer	PTFE	-
12	Gasket	PTFE	-
13	Locking Device	Stainless Steel	A276 304
14	Washer	Stainless Steel	A276 304



**Dimensions, Weights (inches-lbs.) & Valve Data**

Size	1/2	3/4	1	1-1/4	1-1/2	2
d	.5	.75	.98	1.25	1.5	1.98
D	4	4.9	4.9	6.2	9.2	7.1
H	2.2	2.6	2.7	3.3	3.5	4.1
L	2.4	2.9	3.4	3.7	4.6	5.3
Wt.- lbs.	.7	1.2	1.8	2.9	4.4	7.8

