



Figure # 211B / 211BT

Bronze Globe Valve

Product Features

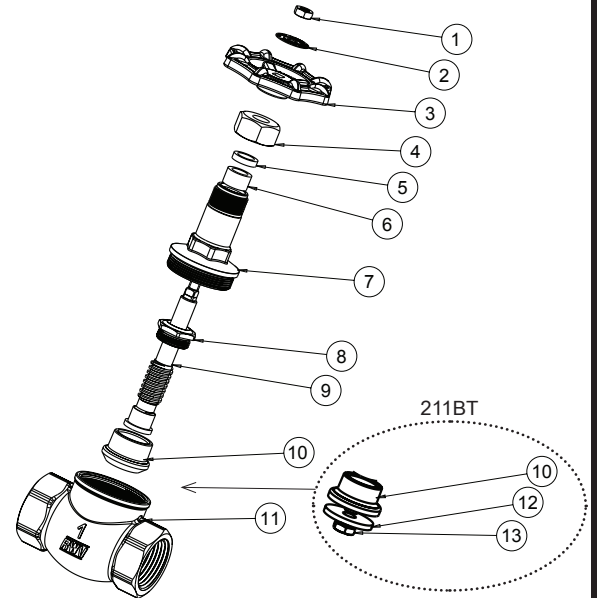
- * 125# WSP / 200# WOG
- * Bronze Body
- * Threaded Ends
- * Inserted Bonnet
- * Swivel Type Disc
- * Metal Seat
- * DZR Corrosion Resistant Trim
- * MSS-SP-80



211BT: PTFE Seat

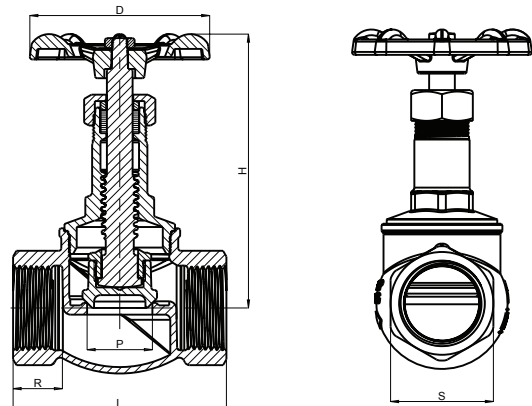
Materials & Specifications

Item	Description	Material	Specification
1	Nut	Steel/Zn plated	A36
2	Name plate	Aluminum	-
3	Handwheel	Aluminum	-
4	Packing nut	Brass	B124 C37700
5	Gland	Brass	B124 C37700
6	Gland packing	Graphite	B124 C37700
7	Bonnet	Bronze	B62 C83600
8	Lock Nut	DZR Brass	C35330
9	Stem	DZR Brass	C35330
10	Disk	DZR Brass	C35330
11	Body	Bronze	B62 C83600
12	Gasket	PTFE	-
13	Nut	Brass	B124 C37700



Dimensions, Weights & Valve Data

Size		1/2	3/4	1	1-1/4	1-1/2	2
D	mm	60	70	70	85	100	100
	in.	2.36	2.76	2.76	3.35	3.94	3.94
H	mm	83.5	92.5	107	124	140	152
	in.	3.28	3.64	4.21	4.88	5.51	5.98
H	mm	91	102	120	140	158	174
	in.	3.60	4.00	4.70	5.50	6.20	6.90
L	mm	59	67	83	91	101	124
	in.	2.32	2.64	3.26	3.58	3.97	4.88
P	mm	15	19.1	25.4	32	38	50
	in.	0.59	0.75	1.00	1.26	1.50	2.00
R	mm	14.5	15.7	19	19	19.5	22
	in.	0.57	0.61	0.75	0.75	0.77	0.87
S	mm	27	33	40	50	56	68
	in.	1.06	1.30	1.57	2.00	2.20	2.67
Wt	g	330	475	755	1070	1540	2430
	lbs	0.73	1.05	1.66	2.36	3.40	5.35



RED-WHITE VALVE CORP.

20600 Regency Lane, Lake Forest, CA 92630

TEL: 949.859.1010 • FAX: 949.859.7200 • www.redwhitevalvecorp.com

(161013)