

**Feature**

- 300# WOG
- PP-RCT body
- Polyfusion ends
- DZR lead free brass chrome-plated ball
- DZR lead free brass stem
- Virgin PTFE seats
- Blow-Out proof stem
- NBR O-ring packing
- AB1953, NSF/ANSI 61 & 372 certified
- IAPMO Z1157
- NSF-14
- Green color



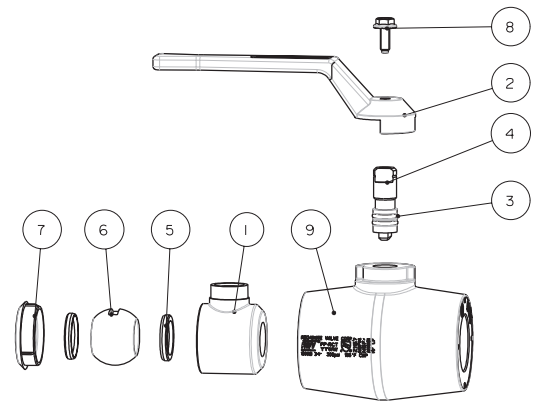
Meet BAA requirement

Extention stem and wing handle available

Max. Pressure	Max. Temperature
300 psi / 2068 kPa	185°F / 85°C

**Material**

Part	Material	Specification
1 Cartridge body	Polypropylene	PP-RCT
2 Lever Handle	Nylon	PA6-50G
3 O-Ring	NBR	NSF Approved
4 Stem	DZR Lead Free Brass	ASTM B927 C27453
5 Seat	PTFE	PTFE
6 Ball	DZR Lead Free Brass/Cr Plated	ASTM B927 C27453
7 Cartridge cap	Polypropylene	PP-RCT
Screw	Steel / Geomet® plated	Steel
Body	Polypropylene	PP-RCT



**Dimension**

Size	A		B		C		D		H		L		P		Wt. L		
in	OD	[in]	[mm]	[in]	[mm]	[in]	[mm]	[in]	[mm]	[in]	[mm]	[in]	[mm]	[in]	[mm]	[lb]	[g]
1/2"	20	2.66	68	0.76	19	0.57	14	1.81	46	2.36	60	4.02	102	0.59	15	0.30	136
3/4"	25	2.78	71	0.96	24	0.63	16	2.01	51	2.36	60	4.02	102	0.59	15	0.32	145
1"	32	3.13	80	1.23	31	0.71	18	2.28	58	2.48	63	4.02	102	0.79	20	0.46	209
1 1/4"	40	3.70	94	1.54	39	0.81	21	2.91	74	3.07	78	4.7	119	0.98	25	0.80	363
1 1/2"	50	4.29	109	1.94	49	0.93	24	3.35	85	3.27	83	4.7	119	1.26	32	1.14	517
2"	63	5.12	130	2.45	62	1.08	27	4.13	105	4.06	103	5.75	146	1.57	40	2.06	934
2 1/2"	75	5.95	151	2.94	75	1.22	31	5.00	127	4.33	110	5.75	146	1.97	50	3.10	1,406
3"	90	3.54	173	3.53	90	1.42	36	6.10	155	5.24	133	8.07	205	2.56	65	4.79	2,172

