

OPA-730CJP

OPA-730BNJP

Omnipro

OPA-730ORBJP

Single Handle Tub & Shower Trim Kit



FEATURES & BENEFITS

- Metal Lever Handle
- Metal Shower Arm And Shower Flange
- With Metal Slip On Tub Spout
- With Single Function Shower Head
- Spout: Minimum Flow Rate 2.4GPM(9.0L/Min)
At 20PSI
- Showerhead: Max Flow Rate 1.8GPM(6.8L/Min)
At 80PSI

OPA-730CJP
Chrome Finish

OPA-730BNJP
Brushed Nickel Finish

OPA-730ORBJP
Oil Rubbed Bronze Finish

Approvals:

Meets or Exceeds The Following:

- * ASME A112.18.1/CSA B125.1
- * IAPMO/cUPC
- * EPA WaterSense



TEL: 800-217-4603

Visit Our Web Site : www.omniprofaucets.com

Product Spec Sheet

□ **OPA-730CJP**

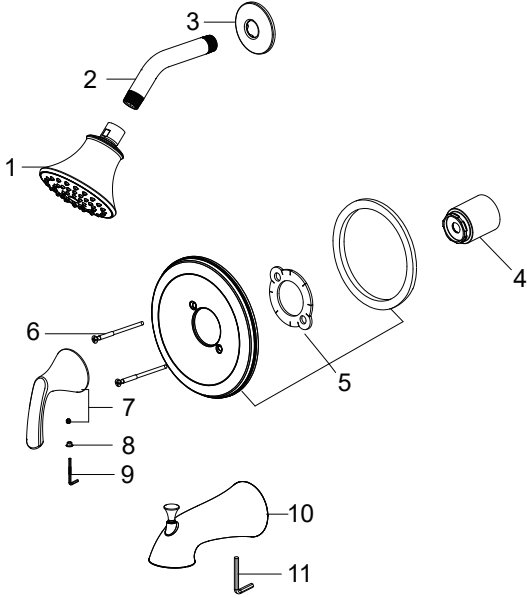
□ **OPA-730BNJP**

Omni**pro**

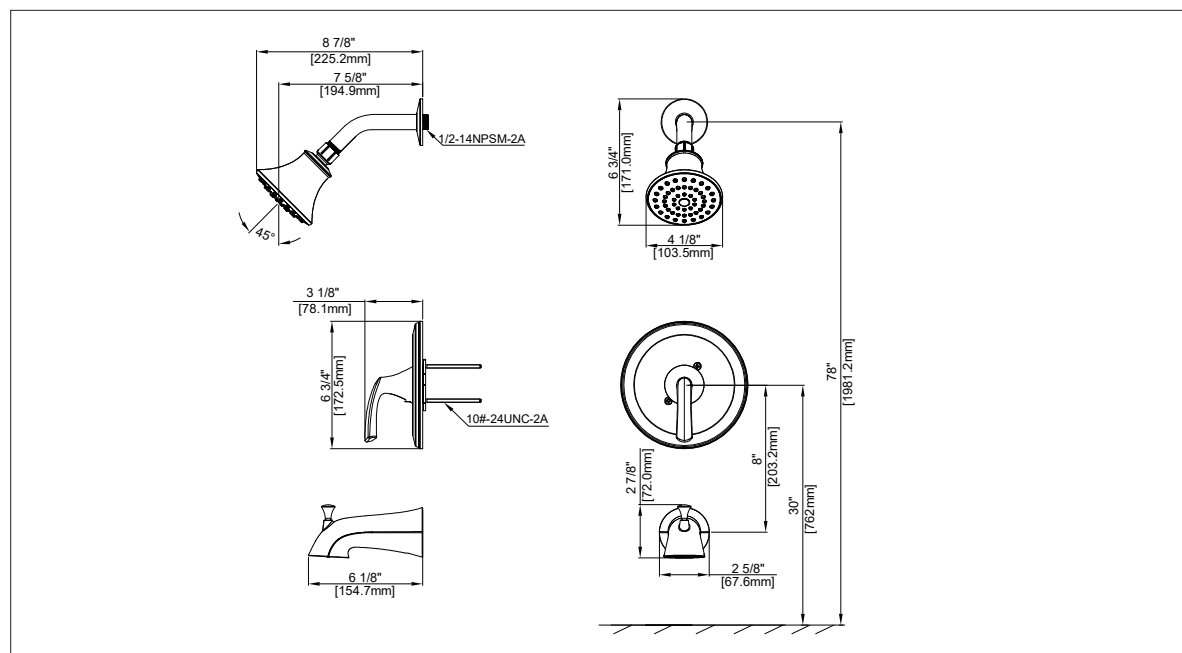
□ **OPA-730ORBJP**

Single Handle Tub & Shower Trim Kit

No.	Name	Part No.
1	Shower head / <i>Cabezal de la ducha</i>	RP38335*
2	Shower arm / <i>Brazo de la ducha</i>	RP38019*
3	Shower flange / <i>Brida de la ducha</i>	RP38046*
4	Sleeve / <i>Funda</i>	RP80624*
5	Escutcheon / <i>Placa protectora</i>	RP80610*
6	Escutcheon screw / <i>Tornillo de la placa protectora</i>	RP50197*
7	Handle / <i>Llave</i>	RP13541*
8	Index / <i>Índice</i>	RP10073
9	Hex Allen Wrench / <i>Hex Llave Allen</i>	RP70221
10	Spout / <i>Caño</i>	RP33080*
11	Hex Allen Wrench / <i>Hex Llave Allen</i>	RP70345



* Specify Finish
* Especificque el Acabado



Product Spec Sheet