

□ **OPA-480C**

□ **OPA-480BN**

Omnipro

□ **OPA-480ORB**

8" Two Handle Widespread Lavatory Faucet

Product Spec Sheet



FEATURES & BENEFITS

- This Product Contains Less Than 0.25% Weighted Average Lead Content On Wetted Surfaces
- Metal Lever Handle
- Ceramic Cartridge
- Metal Pop-up
- Max Flow Rate 1.2GPM(4.5L/Min) At 60PSI (ASME A112.18.1/A112.18.1)

OPA-480C
Chrome Finish

OPA-480BN
Brushed Nickel Finish

OPA-480ORB
Oil Rubbed Bronze Finish

Approvals:

Meets or Exceeds The Following:

- * ASME A112.18.1/CSA B125.1
- * NSF/ANSI 61
- * NSF/ANSI 372
- * IAPMO/cUPC
- * CA AB1953
- * EPA WaterSense
- * NSF/ANSI/CAN 61: $Q \leq 1$

TEL: 800-217-4603

Visit Our Web Site : www.omniprofaucets.com



□ **OPA-480C**

□ **OPA-480BN**

Omni**pro**

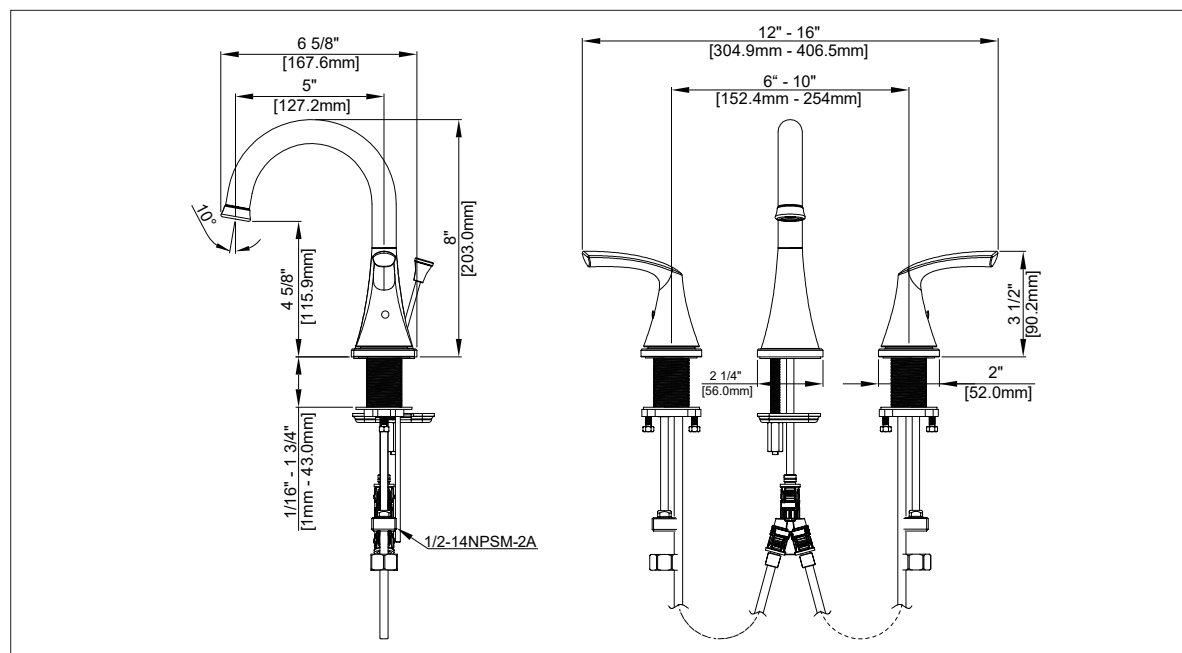
□ **OPA-480ORB**

8" Two Handle Widespread Lavatory Faucet

| No. | Name | Part No. |
|-----|--|----------|
| 1 | Handle / Llave | RP13539* |
| 2 | Index H/ Índice H | RP10004 |
| 3 | Index C/ Índice C | RP10005 |
| 4 | Flange/ Ribete | RP80306* |
| 5 | Bonnet/ Capuchón | RP70435 |
| 6 | Cartridge H/ Cartucho H | RP20067 |
| 7 | Cartridge C/ Cartucho C | RP20068 |
| 8 | Metal Washer/ Arandela metálica | RP64147 |
| 9 | Nut/ Tuerca | RP56059 |
| 10 | Screw/ Tornillo | RP50004 |
| 11 | Coupling Nut/ Tuerca de acoplamiento | RP56002 |
| 12 | Aerator/ Aireado | RP30212* |
| 13 | Washer/ Arandela | RP70228 |
| 14 | Nut/ Tuerca | RP56073 |
| 15 | Block/ Bloque | RP70421 |
| 16 | O-ring/ Aro tórico | RP60002 |
| 17 | Quick connecting assembly / Ensamblaje de conexión rápida | RP70595 |
| 18 | Lift rod & Lift Rod knob / Perilla de la varilla de extensión & Varilla de elevación | RP40151* |
| 19 | Pop-up Assembly Less Lift Rod / AEnsamble del Desagüe Automático Menos la Barra de Alzar | RP40001* |
| 20 | Hex Allen Wrench / Hex Llave Allen | RP70221 |

* Specify Finish

* Especifique el Acabado



Product Spec Sheet

TEL: 800-217-4603

Visit Our Web Site :

www.omniprofaucets.com