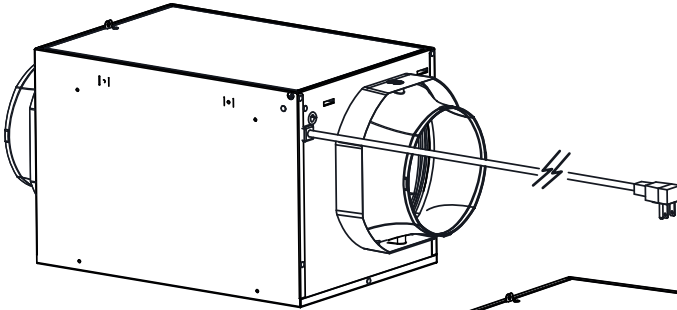
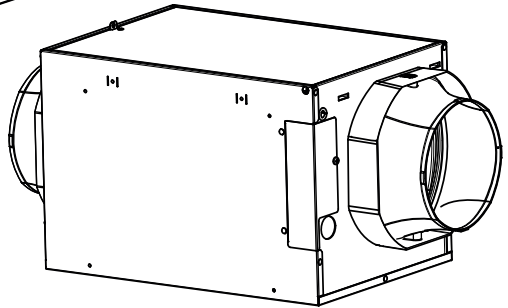


# BROAN®

## FRESH IN™ PREMIUM FIN-180P AND FIN-180P-HW INSTALLATION INSTRUCTIONS



**FIN-180P**  
**6-FT. POWER CORD**



**FIN-180P-HW**  
**HARDWIRED**

VB0260

REGISTER YOUR PRODUCT ONLINE AT: [www.broan-nutone.com/register](http://www.broan-nutone.com/register)

**⚠ RESIDENTIAL USE ONLY ⚠**

**READ AND SAVE THESE INSTRUCTIONS**



99046020H



Intertek



Please take note that this manual uses the following symbols to emphasize particular information:

---

**⚠WARNING**

---

***Identifies an instruction which, if not followed, might cause serious personal injuries including possibility of death.***

---

**CAUTION**

---

***Denotes an instruction which, if not followed, may severely damage the unit and/or its components.***

---

**💡 Indicates a supplementary information that may relate to optional parts or simply aim to facilitate a task.**

**⚠WARNING**

TO REDUCE THE RISK OF FIRE, ELECTRIC SHOCK, OR INJURY TO PERSON(S) OBSERVE THE FOLLOWING:

1. Use this unit only in the manner intended by the manufacturer. If you have questions, contact the manufacturer.
2. Before servicing or cleaning this unit, turn power off at service panel.
3. This unit is not designed to provide combustion and/or dilution air for fuel-burning appliances.
4. Do not use this unit with any solid-state speed control device other than the one specified in section 4.
5. FIN-180P MODEL ONLY: Do not operate any fan with a damaged cord or plug. Discard fan or contact your HVAC contractor, or the manufacturer.
6. FIN-180P MODEL ONLY: Do not run cord under carpeting. Do not cover cord with throw rugs, runners or similar coverings. Do not route cord under furniture or appliances. Arrange cord away from traffic area and where it will not be tripped over.
7. Installation work and electrical wiring must be done by qualified person(s) in accordance with all applicable codes and standards, including fire-rated construction.
8. When cutting or drilling into a wall or ceiling, do not damage electrical wiring and other hidden utilities.
9. ALL UNITS: This unit must be grounded. FIN-180P MODEL ONLY: The power supply cord has a 3-prong grounding plug for your personal safety. It must be plugged into a mating 3-prong grounding receptacle, grounded in accordance with the national electrical code and local codes and ordinances. Do not remove the ground prong. Do not use an extension cord.
10. When servicing, cleaning or performing installation of this unit, it is recommended to wear safety glasses and gloves.
11. When applicable local regulation comprises more restrictive installation and/or certification requirements, the aforementioned requirements prevail on those of this document and the installer agrees to conform to these at his own expenses.
12. The unit must be mounted at least 3.3 feet (1.0 meter) away from any accessible opening of the duct.

**CAUTION**

1. Please read specification label on product for further information and requirements.
2. Do not intake air into spaces within walls or ceiling or into attics, crawl spaces, or garage. Do not attempt to recover the exhaust air from a dryer or a range hood.
3. Intended for residential installation only in accordance with the requirements of NFPA 90B.
4. When leaving the house for a long period of time (more than two weeks), a responsible person should regularly check if the unit operates adequately.
5. At least once a year, the unit mechanical and electronic parts should be inspected by qualified service personnel.
6. Since the electronic control system of the unit uses a microprocessor, it may not operate correctly because of external noise or very short power failure. If this happens, unplug the unit's low voltage power source and wait approximately 10 seconds. Then, plug the low voltage in again.
7. Outdoor intake hood must be weather tight and comprise a bird screen.
8. Should you decide to dispose of this unit or of parts of it, do so in accordance with local laws and regulation.
9. Some areas are prone to a higher frequency of lightning-induced power surges. Using a surge protector device to protect units located in these areas is recommended.

# TABLE OF CONTENTS

<b>1. USER INFORMATION .....</b>	<b>4</b>
1.1 Optional Wall Control.....	4
1.2 User Servicing Instructions.....	4
1.3 Comfort Mode .....	4
<b>2. PLANNING.....</b>	<b>5</b>
2.1 Installation zones.....	5
2.2 Installation types .....	5
2.2.1 Stand Alone Installation.....	5
2.2.2 Installation with an AHU .....	5
<b>3. PREPARATION.....</b>	<b>6</b>
3.1 Mounting the Unit .....	8
3.1.1 Flush-to-Ceiling.....	8
3.1.2 Under Ceiling or Wall Mounted.....	9
3.1.3 Ceiling Hung .....	9
3.1.4 In the Attic .....	9
3.2 Connecting the Insulated Ducts to the Unit .....	10
3.3 Connect Power.....	10
3.3.1 FIN-180P.....	10
3.3.2 FIN-180P-HW.....	11
<b>4. HOW TO TEST THE UNIT .....</b>	<b>11</b>
<b>5. WIRING.....</b>	<b>12</b>
5.1 Wiring and Logic Diagrams .....	12
5.2 Connection to the AHU .....	13
5.3 Connection to the VT11W Optional Wall Control.....	13
<b>6. SERVICE PARTS.....</b>	<b>14</b>
<b>7. TROUBLESHOOT .....</b>	<b>15</b>
7.1 FIN-180P Troubleshoot.....	15
7.2 FIN-180P-HW Troubleshoot.....	16
7.3 All Units Troubleshoot.....	17
<b>8. WARRANTY.....</b>	<b>18</b>
<b>9. APPENDIX A.....</b>	<b>19</b>
<b>10. APPENDIX B.....</b>	<b>20</b>

# 1. USER INFORMATION

---

## 1.1 OPTIONAL WALL CONTROL

This unit can be connected to the VT11W wall control.

- Upon startup, the wall control LED will light up during the boot sequence, and remain ON as the unit starts to operate after the boot sequence. Press the push button to turn the unit OFF; the wall control LED will also turn OFF.
- When it is time to perform the filter maintenance, the wall control LED will blink slowly (2 seconds ON, 2 seconds OFF). After the filter maintenance has been performed, press and hold the push button for 5 seconds to reset the filter maintenance reminder.
- Refer to your installer for any other blinking pattern.

## 1.2 USER SERVICING INSTRUCTIONS

- The metal filter included with this unit should be cleaned every 6 months using water and a mild soap. To remove the filter(s), open the door, release the filter retaining clip and pull filter(s) out. Allow the filter to dry completely before putting it back in the unit; when reinserting it in the unit, make sure that it is standing straight.
- Inspect the outdoor air intake at least once a year.
- During the first year of operation, it is recommended to inspect your unit at a higher frequency, especially if you live near a highway or in an area where there is a lot of construction work, generating lots of dust. Your filter(s) may need more frequent cleaning or replacement in these types of environments.
- Replace the optional MERV filter at least once a year; do not attempt to clean and reuse the optional MERV filter.
- These recommendations may change according to the environmental conditions in your area.

## 1.3 COMFORT MODE

Should the air inside your house become too humid, or if such conditions want to be prevented, the operation mode of your Supply Fan can be changed from a Code-Compliant one (modes 1 to 3) to a Comfort Mode (modes A to E). Refer to the map in Appendix A to make the right choice.

When making such change, make sure to only change the Mode and to leave the Run time % as it was set by your installer. If in doubt, refer to your HVAC contractor.

Selected mode	Climatic Zones*
1 - Ashrae 2016	Zones 1-4
2 - Ashrae 2010 (factory setting)	Zones 1-4
3 - IRC / IMC 2012-2015	Zones 1-4
A - Comfort mode Hot / Humid #1	Zones 2A and 1
B - Comfort mode Hot / Humid #2	Zones 1 and 2A
C - Comfort mode Hot / Dry	Zone 2B
D - Comfort mode Mixed / Humid	Zones 3A, 4A, 3C and 4C
E - Comfort mode Mixed / Dry	Zones 3B and 4B

\*As defined by the Department of Energy. Refer to the map in Appendix A.

## 2. PLANNING

### 2.1 INSTALLATION ZONES

Both FIN-180P and FIN-180P-HW units can be installed in climatic zones 1 to 4 as defined by the Department of Energy (refer to Appendix A for the map), whether as a stand alone unit or connected to the ducting of an AHU. Installation in any other climatic zone may cause damage to the house.

### 2.2 INSTALLATION TYPES

---

#### CAUTION

---

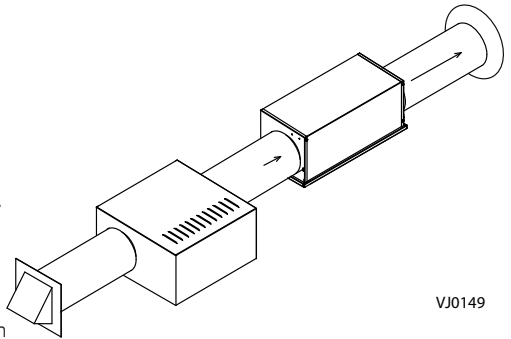
**Always use insulated ducting of a minimum R-4 insulation factor.**

##### 2.2.1 STAND ALONE INSTALLATION

The installer shall ensure that, if necessary, an in-line heater sized according to required airflow and outside design heating temperature from Manual J or ASHRAE table is installed to avoid condensation on uninsulated duct distribution systems within the house or surfaces near the distribution register. The in-line heater shall have an integrated airflow sensor and an over temperature sensor to prevent heating in no-flow or low-flow conditions.

When deciding if a preheater is required and whether it should be installed BEFORE or AFTER the supply fan, consider the following:

- This supply fan's minimum operating temperature is 14 °F.
- The minimum distance between the preheater and the supply fan is 12 inches.
- The temperature distributed in the ducting should not be below 55 °F.

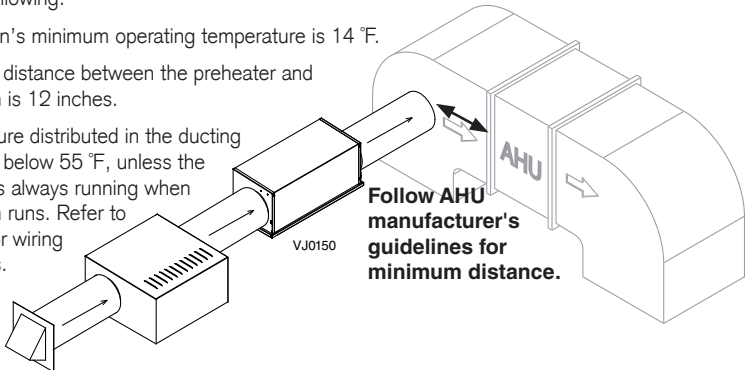


##### 2.2.2 INSTALLATION WITH AN AHU

The installer shall ensure that, if necessary, an in-line heater sized according to required airflow and outside design heating temperature from Manual J or ASHRAE table is installed to ensure that the air delivered to the AHU is never below the minimum temperature allowed by the manufacturer (generally 55 °F). The in-line heater shall have an integrated airflow sensor and an over temperature sensor to prevent heating in no-flow or low-flow conditions.

When deciding if a preheater is required and whether it should be installed BEFORE or AFTER the supply fan, consider the following:

- This supply fan's minimum operating temperature is 14 °F.
- The minimum distance between the preheater and the supply fan is 12 inches.
- The temperature distributed in the ducting should not be below 55 °F, unless the AHU blower is always running when the supply fan runs. Refer to section 4.2 for wiring configurations.



### 3. PREPARATION

#### CAUTION

***This unit has to be provided with a low voltage power source (AHU or other), refer to section 5.2 for wiring.***

- Remove the unit from the box and inspect for damage. Installation hardware is located in a plastic bag along with this guide, on top of the filler.
  - Put the unit down on a protected surface.
  - Open the unit's door and remove the filter to allow for more room to work in the electronic compartment.
- 💡 This unit reads temperature and relative humidity every hour and uses this data to choose the best time of the day to ventilate, according to the chosen mode's preset limits.
- Referring to the table below, choose **the mode** you want the unit to operate in and **note it down** in the space provided for that purpose on the unit's label.

Selected mode*	Climatic Zones**
1 - Ashrae 2016	Zones 1-4
2 - Ashrae 2010 (factory setting)	Zones 1-4
3 - IRC / IMC 2012-2015	Zones 1-4
A - Comfort mode Hot / Humid #1	Zones 2A and 1
B - Comfort mode Hot / Humid #2	Zones 1 and 2A
C - Comfort mode Hot / Dry	Zone 2B
D - Comfort mode Mixed / Humid	Zones 3A, 4A, 3C and 4C
E - Comfort mode Mixed / Dry	Zones 3B and 4B

\*Refer to the label on the inlet or to Appendix B for the full limits table.

\*\*As defined by the Department of Energy. Refer to map in Appendix A.

- Refer to your local building code to **determine the required airflow**.
- Refer to the tables below. Find out what speed and run time percentage the unit has to be set in to provide the required airflow, and **note down the chosen values** in the space provided for that purpose on the unit's label.

For example: If the required airflow is 90 CFM (circled below), the speed switch should be set to 180 CFM, and the Run time % button, to 50%.

**Run time % according to speed setting and required airflow**

Speed Setting	Required airflow (CFM)															
	30	35	40	45	50	55	60	65	70	75	80	85	90	95	100	105
130 CFM	25	30	30	35	40	40	45	50	55	60	60	65	70	75	80	80
180 CFM	20	20	20	25	30	30	35	35	40	40	45	50	50	55	55	60

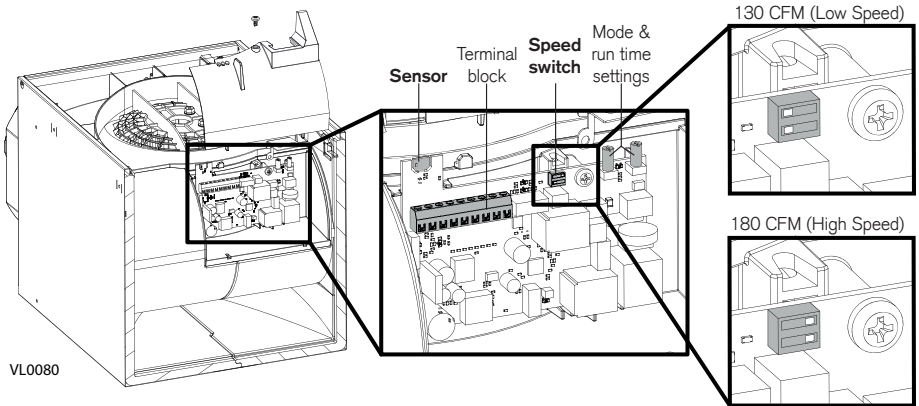
Run time % button value

Speed Setting	Required airflow (CFM)															
	110	115	120	125	130	135	140	145	150	155	160	165	170	175	180	
130 CFM	85	90	90	95	100	-	-	-	-	-	-	-	-	-	-	
180 CFM	60	65	70	70	70	75	80	80	85	85	70	90	95	95	100	

Run time % button value

**Grayed out values are the recommended settings and should be preferred.**

7. Remove the screw holding the electronic compartment cover, as well as the cover itself.
8. Set the **Speed Switch** to 130 CFM or 180 CFM, according to the settings chosen in step 6. The unit is factory set to 130 CFM.



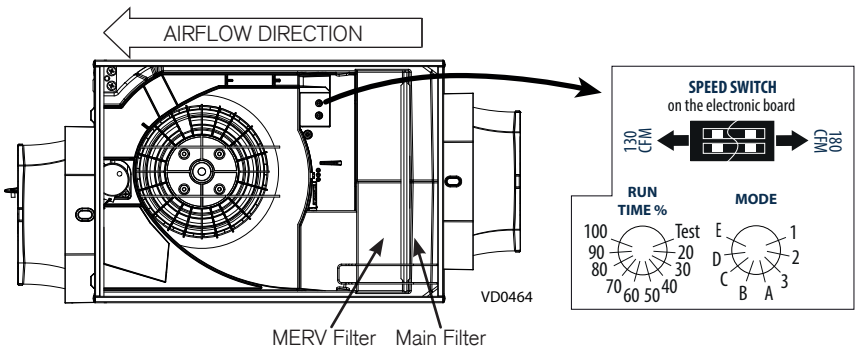
9. Using the terminal block located on the electronic board, perform the low voltage connection; refer to Section 4.2 for the wiring diagrams. Connection to a low voltage power source is mandatory.
  - Make sure that the polarity of the connections is respected.
  - Pay special attention to the sensor located above the terminal block and the potentiometer buttons on the electronic board; they are very fragile, do not damage them while performing the connections.
  - Run the low voltage wires along with the other wires all the way to the hole and grommet in the housing, where the low voltage wires should exit. Make sure that the wire seal foam is reinstalled.

⚠ If the unit is to be connected to a VT11W optional wall control, the low voltage wire should be connected to the terminal block now. Refer to Section 4.3 for the wiring diagram.

### CAUTION

***Make sure that the wire seal foam is put back in place.***

10. Reinstall the electronic compartment cover (make sure not to pinch wires), and set the Mode and Run time % buttons according to the settings previously chosen.

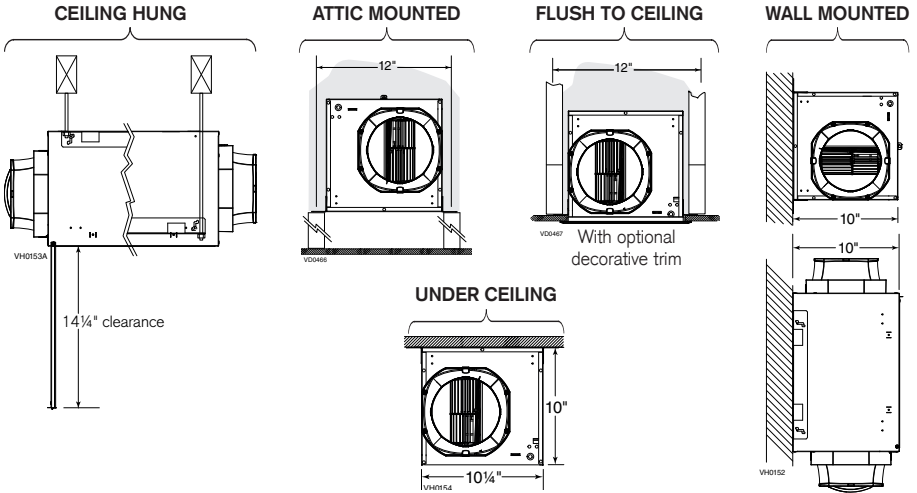


11. Reinstall the main filter in the unit.

⚠ An optional MERV filter may be installed now. The main filter should remain as a prefilter, and the MERV filter should be installed as indicated above.

### 3.1 MOUNTING THE UNIT

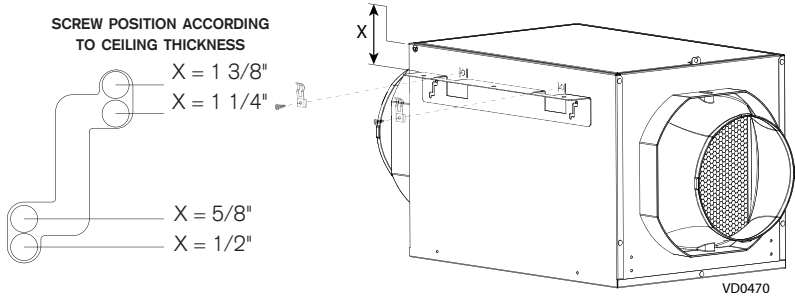
- ⚠ When choosing a location for this unit, keep in mind that maintenance will have to be performed by the end user on a regular basis. Choose an easily accessible location and plan for a 1 1/4-in. clearance for the door to open.
- ⚠ For a 16-in. or 24-in. cc joists installation, use the optional bracket FIN-S1624 (see instructions packed with bracket).



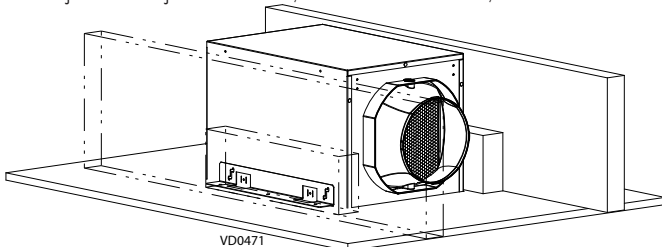
#### 3.1.1 FLUSH-TO-CEILING

- ⚠ If the finishing will be done using the optional decorative finishing trim (part no. FIN-R1015), the springs included in the optional kit should be installed before installing the brackets.

1. Using 4 screws no. 8-18 x 0.375 in., install the brackets on the unit following the diagram below to adapt to the thickness of the ceiling. **DO NOT USE OTHER SCREWS.**



2. Using 4 screws no. 10-12 x 0.625 in., install the unit between the joists. This unit is designed to fit between 12-in. cc joists. If the joists are closer, do not force the unit in, choose another installation method.



- ⚠ Prior to painting, clean the metal housing using solvent and the plastic decorative finishing trim using water.



### 3.1.2 UNDER CEILING OR WALL MOUNTED

1. Using 4 screws no. 8-18 x 0.375 in., install the brackets on the unit as illustrated in Figure A. DO NOT USE OTHER SCREWS.
2. Using 4 screws no. 10-12 x 0.625 in. or longer screws if necessary, secure the unit to the wall or ceiling, into the studs, joists or other solid material.

💡 When wall mounted, the unit can be positioned in any orientation to suit your need.

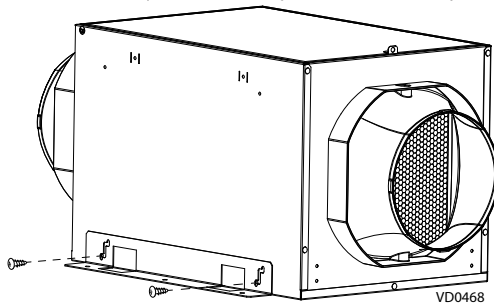
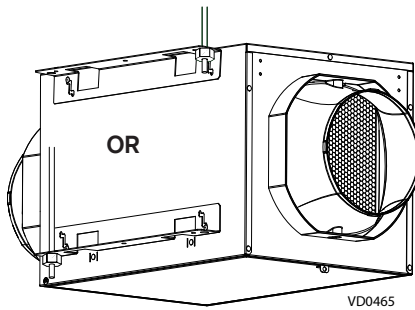


Figure A: Bracket installation

### 3.1.3 CEILING HUNG

The brackets have been designed to allow that the unit be hung using threaded rods.

1. Using 4 screws no. 8-18 x 0.375 in., install the brackets in one of both ways illustrated below. DO NOT USE OTHER SCREWS. Use nuts to secure the unit.



### 3.1.4 IN THE ATTIC

---

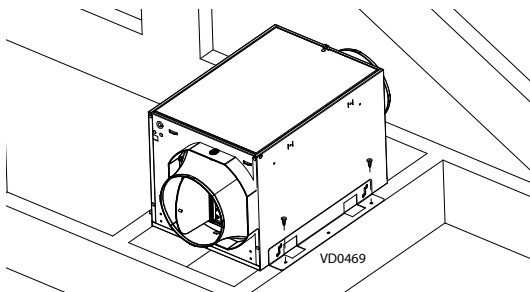
#### CAUTION

---

***Do not install in an attic where the temperature may exceed 160 °F.***

---

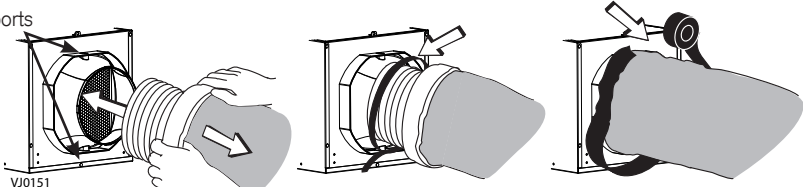
1. Using 4 screws no. 8-18 x 0.375 in., install the brackets on the unit as illustrated above in Figure A. DO NOT USE OTHER SCREWS.
2. Using 4 screws no. 10-12 x 0.625 in., secure the unit to the joists or cross framing.



## 3.2 CONNECTING THE INSULATED DUCTS TO THE UNIT

1. Slide the inner 6 in. round flexible duct over the port and tie it using a tie-wrap.
  2. Pull the insulation over the inner ring of the port without compressing it to minimize possible condensation buildup within the duct, as well as minimize building heat loss and gain.
  3. Use duct tape to seal the outer membrane of the insulated duct to the outer ring of the port to create an air-tight path and to minimize building heat loss and gain and reduce the potential for condensation.
- ⚠ Avoid blocking the test ports with the duct tape.

Test ports



### CAUTION

**Make sure to replace insulation around any openings made in the building envelope when installing unit or ducting. Seal insulation with tape or caulk to minimize building heat loss and gain and to reduce the potential for condensation.**

### ⚠ WARNING

**Make sure the outdoor intake hood is at least 12 inches above the ground and 6 feet away from any of the following: Dryer exhaust, high-efficiency furnace vent, central vacuum vent, gas meter exhaust, gas barbecue-grill, any exhaust from a combustion source, garbage bin and any other source of contamination.**

⚠ Make sure that the outdoor intake hood is easily accessible for annual maintenance. If located above the first floor, place it close to a window or balcony to allow ease of access.

**IMPORTANT** - The ducting from this fan to the outside of the building has a strong effect on the air flow, noise and energy use of the fan. Use the shortest, straightest duct routing possible for best performance, and avoid installing the fan with smaller ducts than recommended. Insulation around the ducts can reduce energy loss and inhibit mold growth. Fans installed with existing ducts may not achieve their rated airflow.

## 3.3 CONNECT POWER

### 3.3.1 FIN-180P

Plug the unit power cord into a mating 3-prong grounding receptacle.

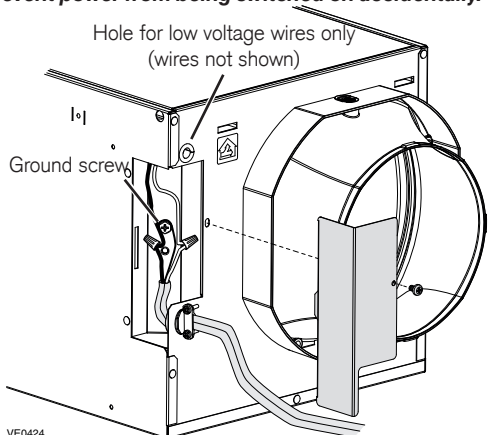
### 3.3.2 FIN-180P-HW

### ⚠ WARNING

**Risk of electric shock. Electrical wiring must be done by qualified personnel in accordance with all applicable codes and standards. Before connecting wires, switch power off at service panel and lock service disconnecting means to prevent power from being switched on accidentally.**

NOTE: The insulated duct and the low voltage wires not shown to simplify the illustration.

1. Detach the electrical compartment cover from the unit by removing its retaining screw.
2. Install the included wire clamp on the unit. Insert the house wiring cable through the wire clamp and tighten the wire clamp to secure the cable.
3. Using provided wire connectors, connect wires as follows: BLACK to BLACK, WHITE to WHITE and GREEN or BARE wire under ground screw. **DO NOT FORGET TO CONNECT THE GROUND.**
4. Put back in place the electrical compartment cover, taking care not to pinch wires. Restore power to the unit.

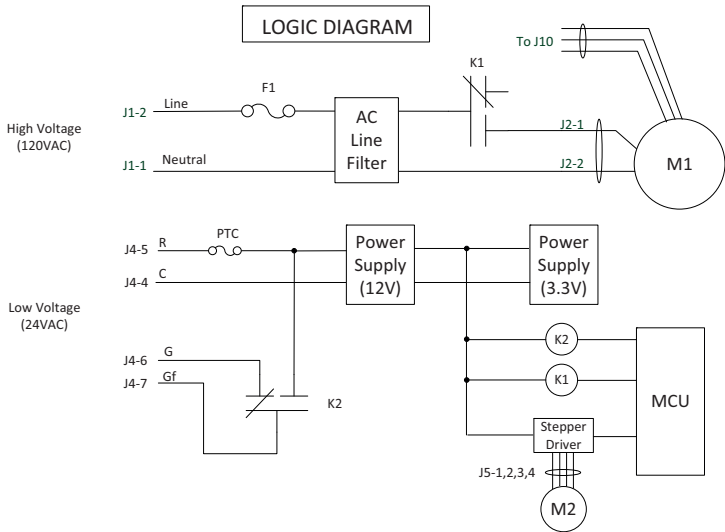


# 4. WIRING

## ⚠ WARNING

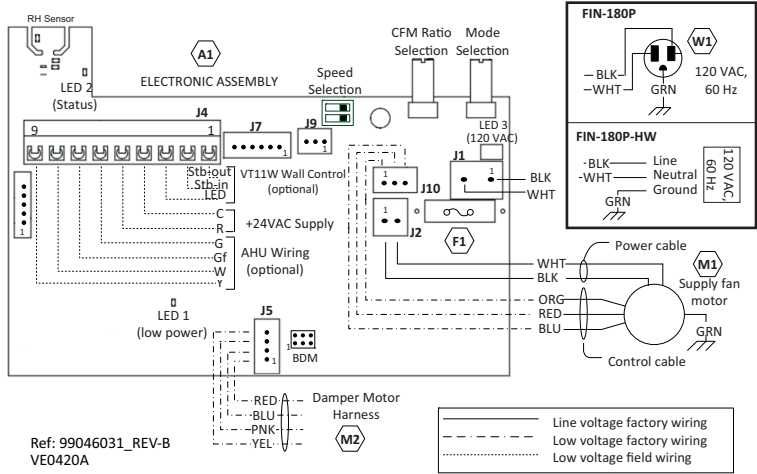
**Risk of electric shock. Electrical wiring must be done by qualified personnel in accordance with all applicable codes and standards. Before connecting wires, switch power off at service panel and lock service disconnecting means to prevent power from being switched on accidentally.**

### 4.1 WIRING AND LOGIC DIAGRAMS



### WIRING DIAGRAM

WIRING COLOR CODE			
BLK	BLACK	PNK	PINK
BLU	BLUE	RED	RED
GRN	GREEN	WHT	WHITE
ORG	ORANGE	YEL	YELLOW



## 4.2 CONNECTION TO THE AHU

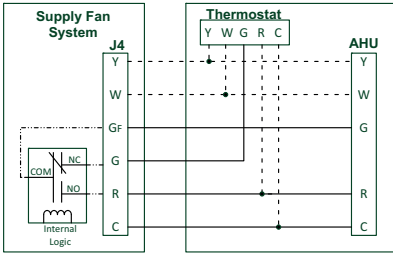
### ⚠ WARNING

**Risk of electric shock. Electrical wiring must be done by qualified personnel in accordance with all applicable codes and standards. Before connecting wires, switch power off at service panel and lock service disconnecting means to prevent power from being switched on accidentally.**

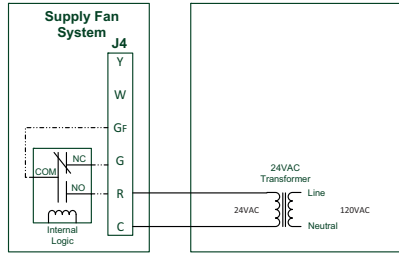
### CAUTION

**Control interface of AHU systems may vary. Please contact your AHU supplier for any installation involving alternate wiring electrical specifications.**

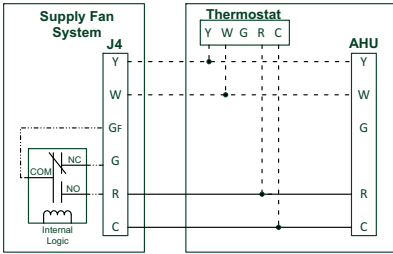
Start AHU blower when supply fan is running



No AHU connection, stand alone supply



AHU blower not activated when supply fan is running

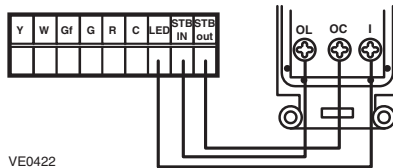


- Mandatory Installation Wiring
- ..... Supply Fan Internal Hard Connections
- - - - - Optional Installation Wiring for Synchronization

Synchronize the Supply Fan operation with the heating and cooling run-time to prevent unnecessary central fan operating time (refer to the dotted lines in the above diagram).

VE0484A

## 4.3 CONNECTION TO THE VT11W OPTIONAL WALL CONTROL



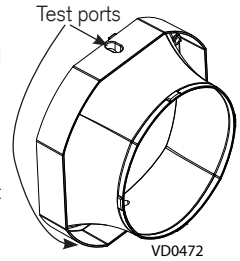
VE0422

## 5. HOW TO TEST THE UNIT

---

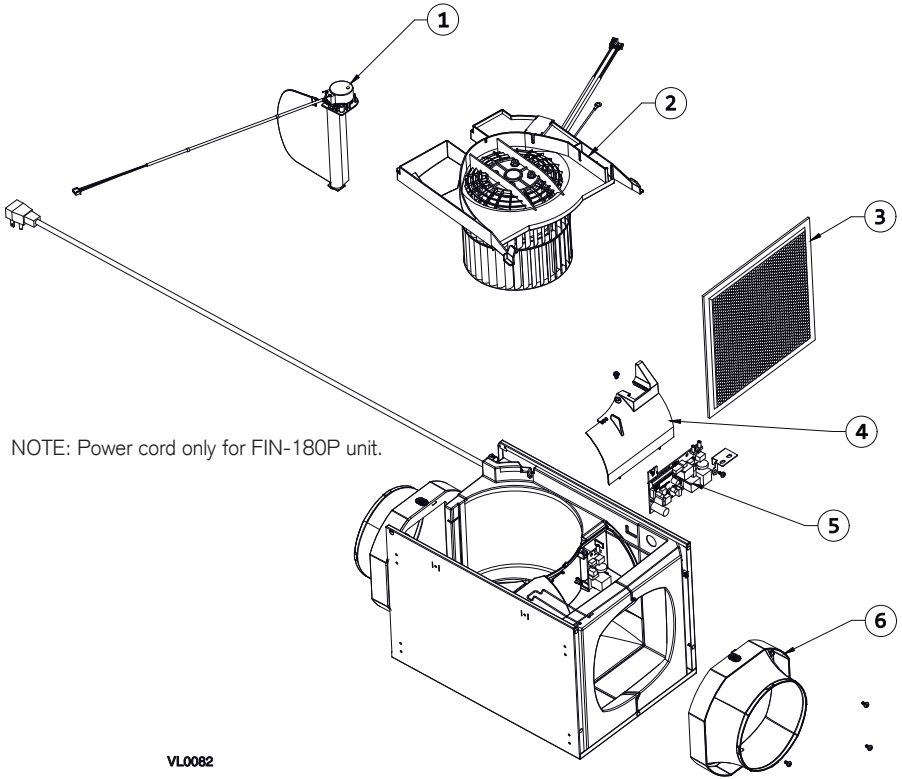
After the unit has been installed, the low voltage connection has been made, and the ducts and hoods have been installed, the airflow can be tested. To do so:

1. Open the unit's door and take note of the unit's Run time % setting.
2. If connected to the ducting of an AHU, turn the AHU OFF while measuring the airflow.
3. Turn the Run time % button in the "Test" position and close the door.
4. Wait until the booting sequence is done (at least 45 seconds).
5. Remove the test port cap located on the port on the intake side of the unit (closest to the filter).
6. Test the airflow using a Pitot tube. The distance between the test port and the center of the duct is 3.75 inches.
7. Put the cap back on the test port.
8. Set the Run time % button back to its previous setting.



**NOTE:** To force the damper closing, unplug the power cord or turn power off at service panel. The low voltage (24VAC) must remain connected to allow damper operation.

## 6. SERVICE PARTS



VL0082

Item no.	Part no.	Description
1	S97021043	Damper Assembly
2	S97021044	Motor Assembly
3	S97021045	Main Filter
4	S97021048	Electronic Cover
5	S97021047	Electronic Board
6	S97021041	6-in. Port
Not shown	FIN-S1624	Optional Bracket
Not shown	VT11W	Optional Wall Control
Not shown	FIN-R1015	Optional Decorative Trim
Not shown	S99010461	Optional MERV 8 Filter
Not shown	S99010462	Optional MERV13 Filter

### Replacement Parts and Repair

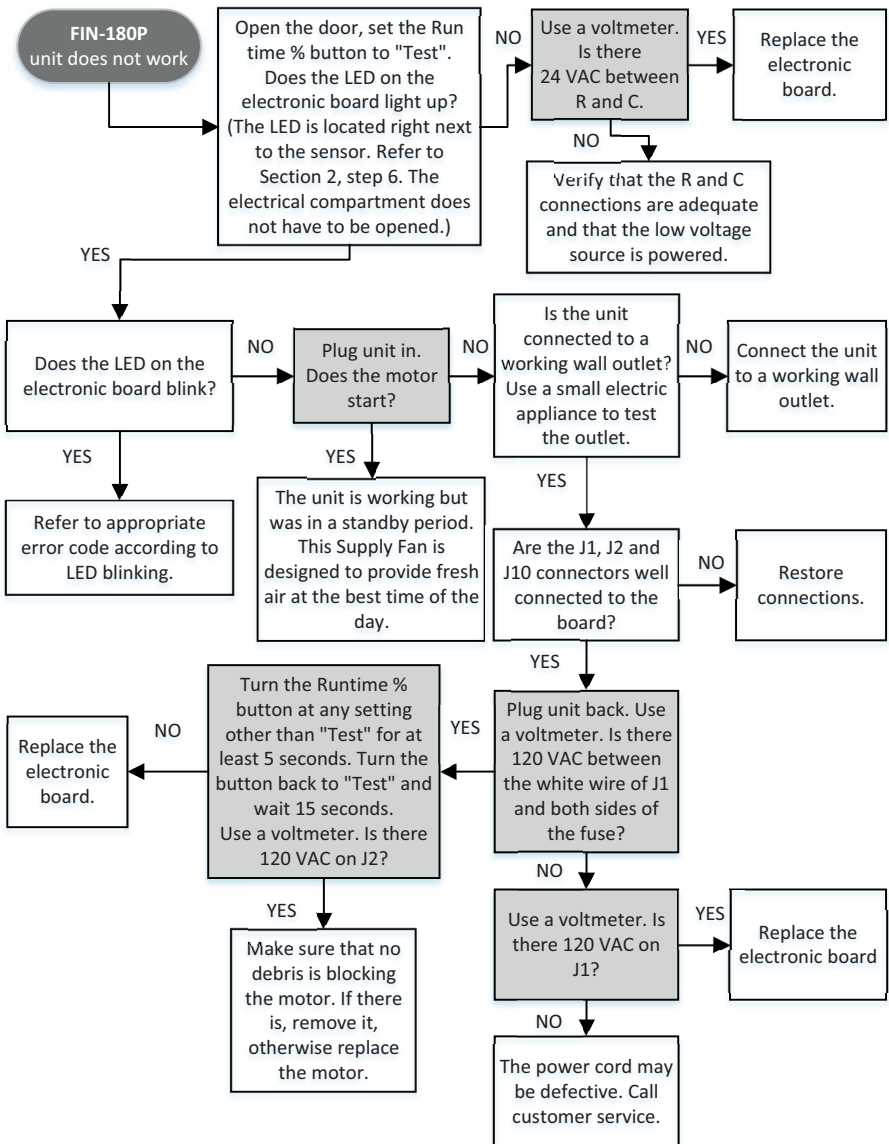
In order to ensure your ventilation unit remains in good working condition, you must use Broan-NuTone LLC genuine replacement parts only. The Broan-NuTone LLC genuine replacement parts are specially designed for each unit and are manufactured to comply with all the applicable certification standards and maintain a high standard of safety. Any third party replacement part used may cause serious damage and drastically reduce the performance level of your unit, which will result in premature failing. Also, Broan-NuTone LLC recommends to contact a Broan-NuTone LLC certified service depot for all replacement parts and repairs.

## 7. TROUBLESHOOT

### ⚠ WARNING

**Risk of electric shock. Before performing any maintenance or servicing, always disconnect the unit from its power source or turn power off at service panel. Some troubleshooting steps (boxes in light grey) require the unit to be powered while being manipulated; beware of live and moving parts at all times.**

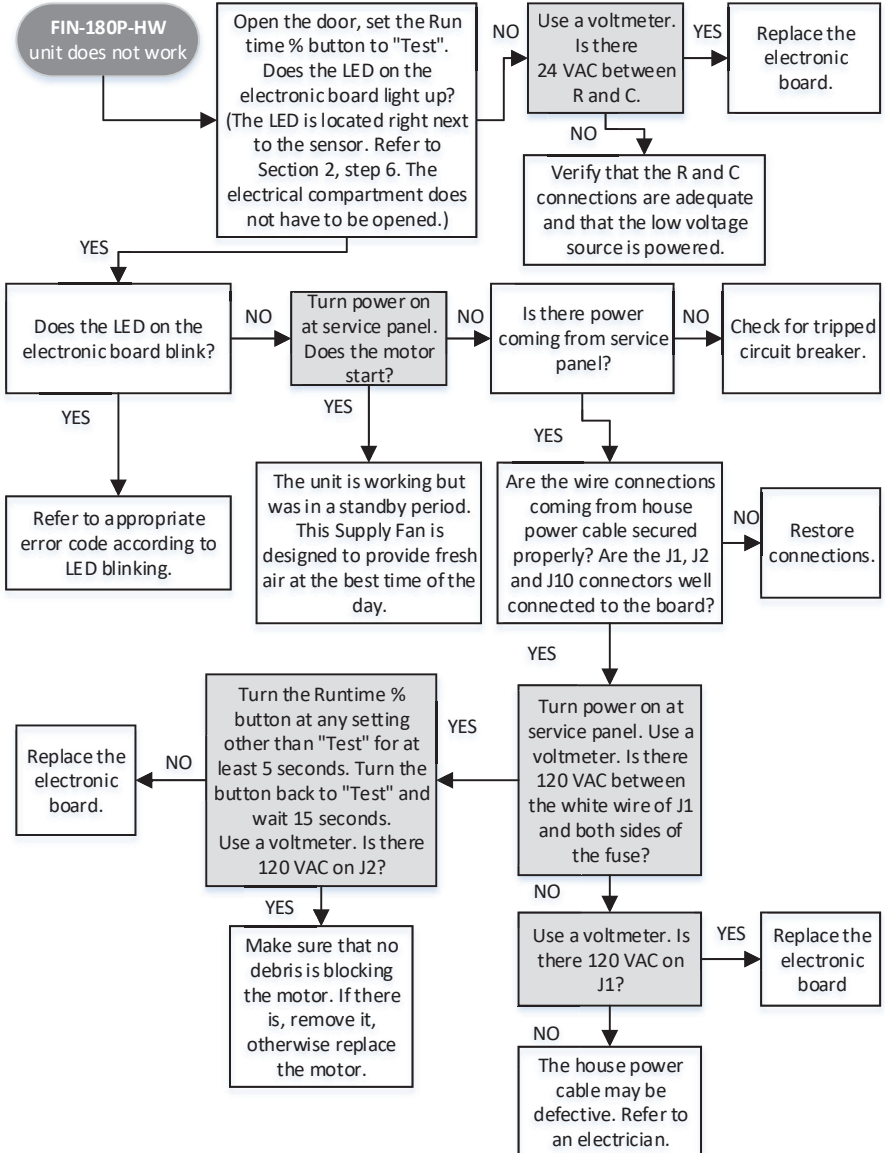
#### 7.1 FIN-180P TROUBLESHOOT



**⚠ WARNING**

**Risk of electric shock. Before performing any maintenance or servicing, always disconnect the unit from its power source or turn power off at service panel. Some troubleshooting steps (boxes in light grey) require the unit to be powered while being manipulated; beware of live and moving parts at all times.**

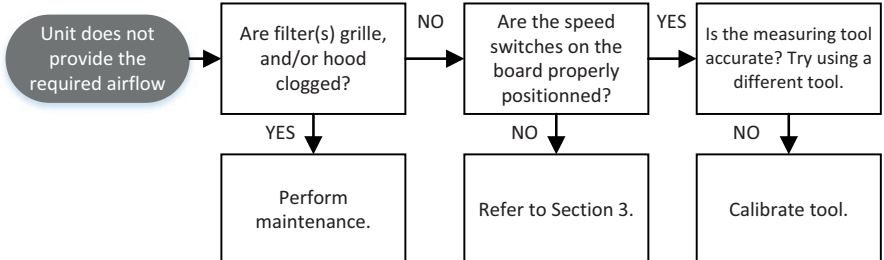
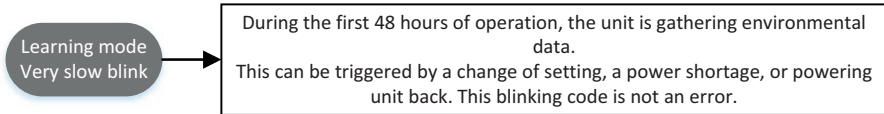
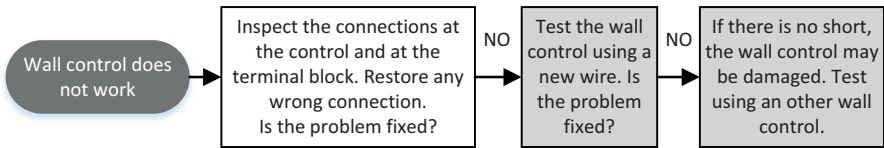
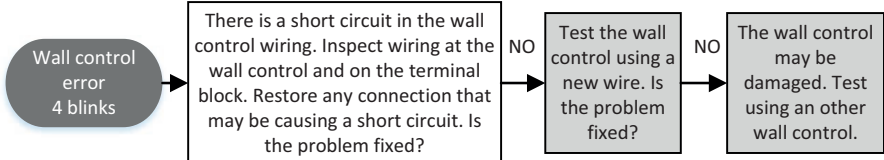
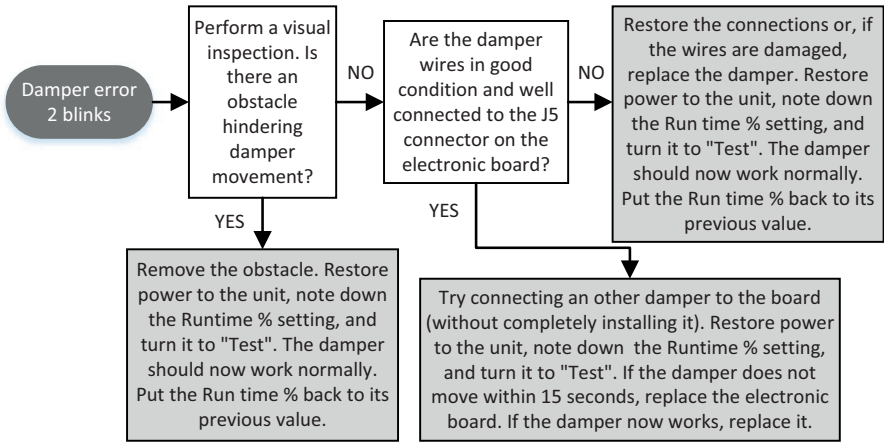
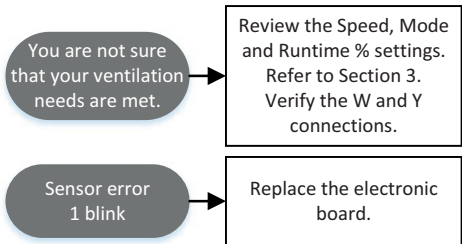
7.2 FIN-180P-HW TROUBLESHOOT





### 7.3 ALL UNITS TROUBLESHOOT

LED Blinking Codes	
Sensor Error	1 blink
Damper Error	2 blinks
Wall Control Error	4 blinks
Filter Maintenance	Slow blink (2 s ON, 2 s OFF)
Learning Mode	Very slow blink (1 s ON, 10 s OFF)



## 8. WARRANTY

---

**Warranty Period and Exclusions:** Broan-NuTone LLC (the "Company") warrants to the original consumer purchaser of its product ("you") that the product (the "Product") will be free from material defects in the Product or its workmanship for five (5) years, starting on the date you purchase the Product.

The limited warranty period for any replacement parts provided by the Company and for any Products repaired or replaced under this limited warranty shall be the remainder of the original warranty period.

This warranty does not cover fluorescent lamp starters, tubes, halogen and incandescent bulbs, fuses, filters, ducts, roof caps, wall caps and other accessories for ducting that may be purchased separately and installed with the Product. This warranty also does not cover (a) normal maintenance and service, (b) normal wear and tear, (c) any Products or parts which have been subject to misuse, abuse, abnormal usage, negligence, accident, improper or insufficient maintenance, storage or repair (other than repair by the Company), (d) damage caused by faulty installation, or installation or use contrary to the recommendations or instructions of the Company or its representatives, (e) any Product that has been moved from its original point of installation, (f) damage caused by environmental or natural elements, (g) damage in transit, (h) natural wear of finish, (i) Products in commercial or nonresidential use, (j) damage caused by fire, flood or other act of God, (k) consumable parts, (l) cosmetic damage, including but not limited to scratches or dents, or (m) Products with altered, defaced or removed serial numbers. This warranty covers only Products sold to original consumers in the United States and Canada by the Company or its U.S. and Canadian distributors authorized by the Company.

This warranty supersedes all prior warranties and, subject to applicable law, is not transferable from the original consumer purchaser.

**No Other Warranties:** To the maximum extent permitted by applicable law, this limited warranty contains the Company's sole obligation and your sole remedy for defective products. The foregoing warranties are exclusive and in lieu of any other warranties and conditions, express or implied. **THE COMPANY DISCLAIMS AND EXCLUDES ALL OTHER EXPRESS WARRANTIES AND CONDITIONS, AND DISCLAIMS AND EXCLUDES ALL WARRANTIES AND CONDITIONS IMPLIED BY LAW, INCLUDING WITHOUT LIMITATION THOSE OF MERCHANTABILITY AND FITNESS FOR A PARTICULAR PURPOSE.** To the extent that applicable law prohibits the exclusion of implied warranties or conditions, the duration of any applicable implied warranty or condition is limited to the period specified for the express warranty above. Some jurisdictions do not allow limitations on how long an implied warranty lasts, so the above limitation may not apply to you. Any oral or written description of the Product is for the sole purpose of identifying it and shall not be construed as an express warranty.

Whenever possible, each provision of this Limited Warranty shall be interpreted in such manner as to be effective and valid under applicable law, but if any provision is held to be prohibited or invalid, such provision shall be ineffective only to the extent of such prohibition or invalidity, without invalidating the remainder of such provision or the other remaining provisions of the Limited Warranty.

**Remedy:** During the limited warranty period as stated above, the Company will, at its option, provide replacement parts for, or repair or replace, without charge, any Product or part thereof, to the extent the Company finds it to be covered by and in breach of this limited warranty under normal use and service. The Company will ship the repaired or replaced Product or replacement parts to you in the United States or Canada at no charge. You are responsible for all costs for removal, reinstallation and shipping, insurance or other freight charges incurred in the shipment of the Product or part to the Company. If you must send the Product or part to the Company, as instructed by the Company, you must properly pack the Product or part—the Company is not responsible for damage in transit. The Company reserves the right to utilize reconditioned, refurbished, repaired or remanufactured Products or parts in the warranty repair or replacement process. Such Products and parts will be comparable in function and performance to an original Product or part and warranted for the remainder of the original warranty period.

The Company reserves the right, in its sole discretion, to refund the money actually paid by you for the Product in lieu of repair or replacement. If the Product or part is no longer available, replacement may be made with a similar product of equal or greater value, at the Company's sole discretion.

**Exclusion of Damages: THE COMPANY'S OBLIGATION TO PROVIDE REPLACEMENT PARTS, OR REPAIR, REPLACE OR REFUND, AT THE COMPANY'S OPTION, SHALL BE YOUR SOLE AND EXCLUSIVE REMEDY UNDER THIS LIMITED WARRANTY AND THE COMPANY'S SOLE AND EXCLUSIVE OBLIGATION. TO THE EXTENT PERMITTED BY THE APPLICABLE LAW, THE COMPANY SHALL NOT BE LIABLE FOR INCIDENTAL, INDIRECT, CONSEQUENTIAL OR SPECIAL DAMAGES ARISING OUT OF OR IN CONNECTION WITH THE PRODUCT, ITS USE OR PERFORMANCE.** Incidental damages include, but are not limited to, such damages as loss of time and loss of use. Consequential damages include, but are not limited to, the cost of repairing or replacing other property which is damaged if the Product does not work properly.

**TO THE EXTENT PERMITTED BY THE APPLICABLE LAW, THE COMPANY SHALL NOT BE LIABLE TO YOU, OR TO ANYONE CLAIMING UNDER YOU, FOR ANY OTHER OBLIGATIONS OR LIABILITIES, INCLUDING, BUT NOT LIMITED TO, OBLIGATIONS OR LIABILITIES ARISING OUT OF BREACH OF CONTRACT OR WARRANTY, NEGLIGENCE OR OTHER TORT OR ANY THEORY OF STRICT LIABILITY, WITH RESPECT TO THE PRODUCT OR THE COMPANY'S ACTS OR OMISSIONS OR OTHERWISE.**

Some jurisdictions do not allow the exclusion or limitation of incidental or consequential damages, so the above limitation or exclusion may not apply to you. This warranty gives you specific legal rights, and you may also have other rights, which vary from jurisdiction to jurisdiction. The disclaimers, exclusions, and limitations of liability under this warranty will not apply to the extent prohibited by applicable law.

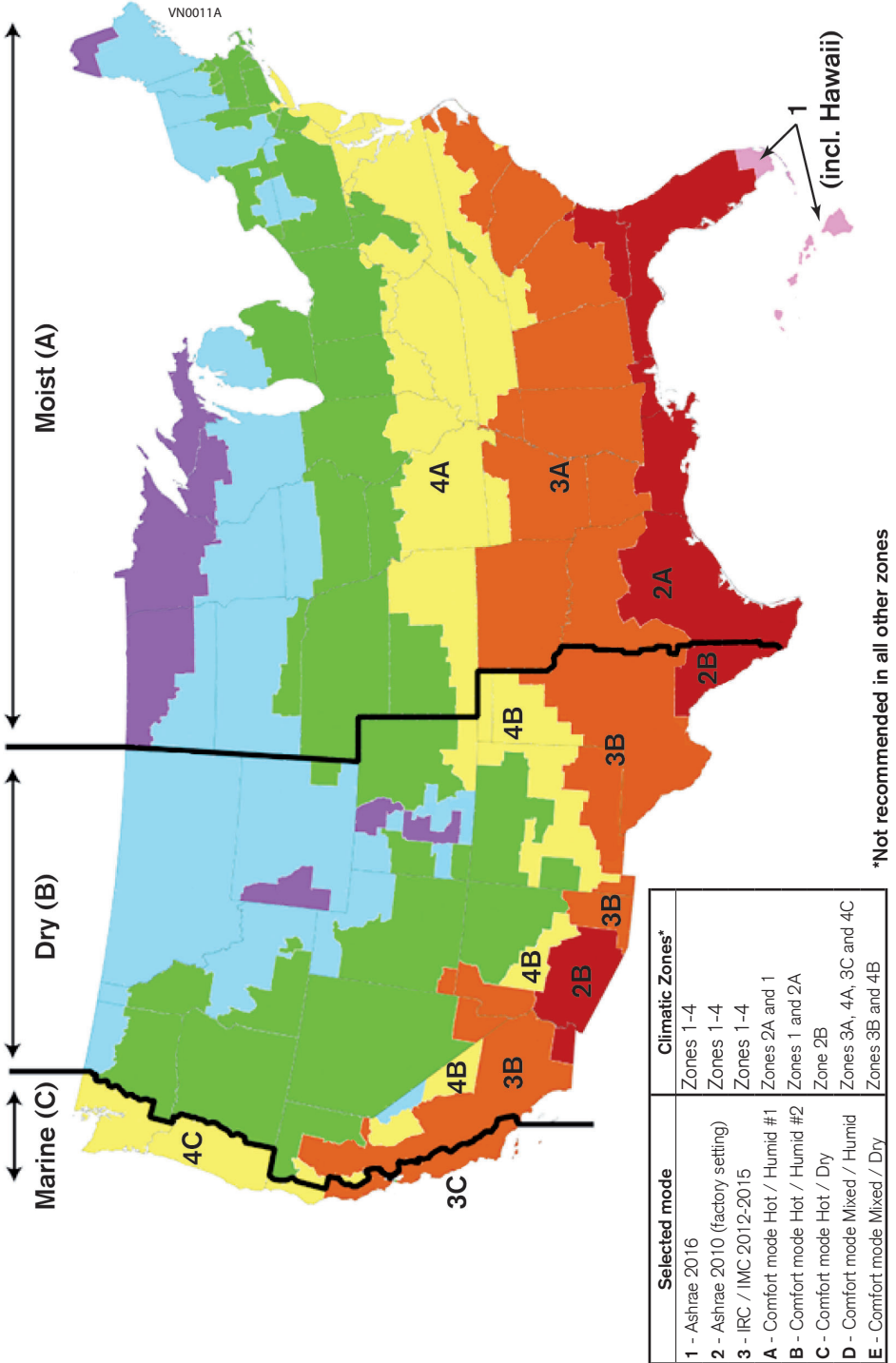
This warranty covers only replacement or repair of defective Products or parts thereof at the Company's main facility, or such other facility as Company may designate from time to time, and does not include the cost of field service travel and living expenses, which expenses shall be disclosed to and accepted by you in advance.

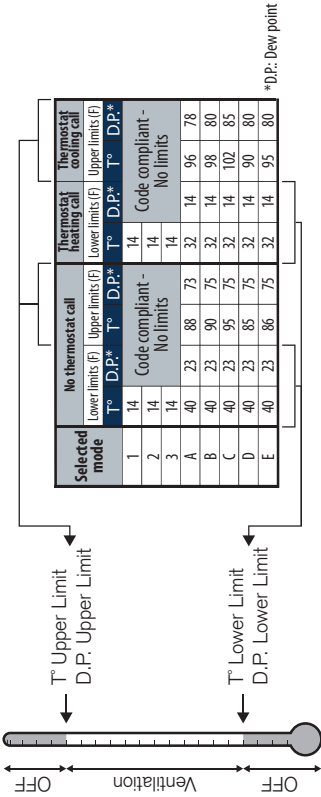
Any assistance the Company provides to or procures for you outside the terms, limitations or exclusions of this limited warranty will not constitute a waiver of such terms, limitations or exclusions, nor will such assistance extend or revive the warranty.

The Company will not reimburse you for any expenses incurred by you in repairing or replacing any defective Product, except for those incurred with the Company's prior written permission.

**How to Obtain Warranty Service:** To qualify for warranty service, you must (a) notify the Company at the address or telephone number stated below within seven (7) days of discovering the covered defect, (b) give the model number and part identification, and (c) describe the nature of any defect in the Product or part. At the time of requesting warranty service, you must present evidence of the original purchase date. If you cannot provide a copy of the original written limited warranty, then the terms of the Company's most current written limited warranty for your particular product will control. The most current limited written warranties for the Company's products can be found at [www.broan.com](http://www.broan.com).

# 9. APPENDIX A





\*D.P.: Dew point

**Code modes:**

- 1- ASHRAE 2016
- 2- ASHRAE 2010 (factory setting)
- 3- IRC /IMC 2012-2015

**Comfort modes (Climate zones):**

- A- Hot/ Humid #1 (ZA & 1)
- B- Hot/ Humid #2 (1 & 2A)
- C- Hot/ Dry (2B)
- D- Mixed/ Humid (3A, 4A, 3C & 4C)
- E- Mixed/ Dry (3B & 4B)

As defined by the Department of Energy. Refer to map in Appendix A.

**Limits Table**

Selected mode	No thermostat call		Thermostat heating call		Thermostat cooling call			
	Lower limits (F)	Upper limits (F)	Lower limits (F)	Upper limits (F)	Lower limits (F)	Upper limits (F)		
1	14	14	Code compliant - No limits	Code compliant - No limits	T°	D.P.*		
2	14	14	Code compliant - No limits	Code compliant - No limits	T°	D.P.*		
3	14	14	Code compliant - No limits	Code compliant - No limits	T°	D.P.*		
A	40	23	88	73	32	14	96	78
B	40	23	90	75	32	14	98	80
C	40	23	95	75	32	14	102	85
D	40	23	85	75	32	14	90	80
E	40	23	86	75	32	14	95	80

\*D.P.: Dew point

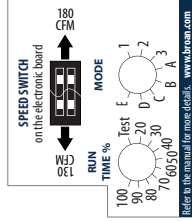
Refer to manual for Spanish.

**Settings**

Selected speed	130 or 180
Selected mode	
Selected %	

**Status LED CODE**

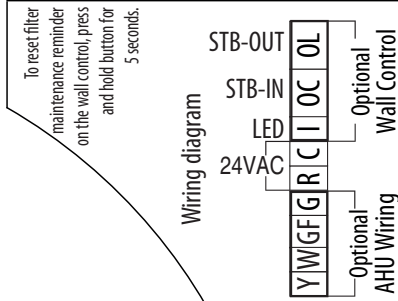
Sensor Error	1 blink	Wall ctrl Error	4 blinks
Damper Error	2 blinks	Filter Clean	2s ON / 2s OFF
Learning Mode	1s ON / 10s OFF		



Refer to the manual for more details. [www.boon.com](http://www.boon.com)

Fresh In Premium

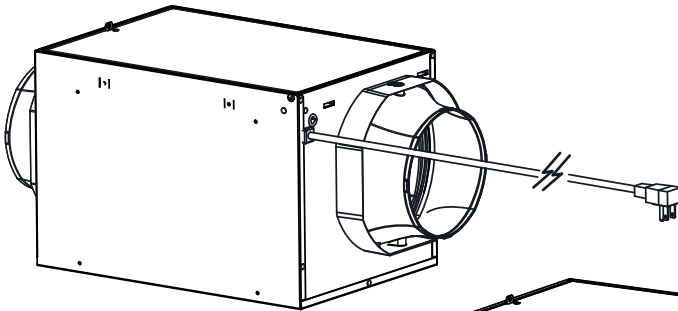
VE0412A



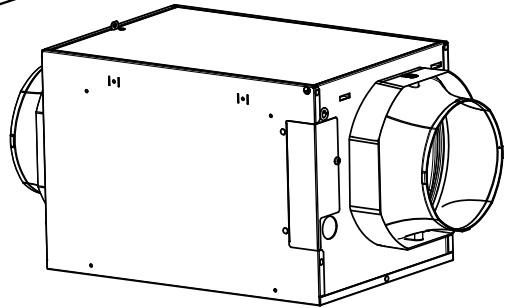
To reset filter maintenance reminder on the wall control, press and hold button for 5 seconds.

# BROAN®

## FRESH IN™ PREMIUM FIN-180P Y FIN-180P-HW INSTRUCCIONES DE INSTALACIÓN



**FIN-180P**  
**CABLE DE**  
**ALIMENTACIÓN DE 6 PIES**



**FIN-180P-HW**  
**CABLEADO**

VB0260

REGISTRE SU PRODUCTO EN LÍNEA EN: [www.broan-nutone.com/register](http://www.broan-nutone.com/register)

**⚠️ PARA USO RESIDENCIAL ÚNICAMENTE ⚠️**

**LEA Y GUARDE ESTAS INSTRUCCIONES**



99046020H



Intertek



Este manual utiliza los siguientes símbolos para hacer hincapié en determinada información:

---

### **⚠ ADVERTENCIA**

---

***Se refiere a una instrucción que, si no se sigue, puede provocar lesiones personales graves, incluso causar la muerte.***

---

### **⚠ PRECAUCIÓN**

---

***Denota una instrucción que, si no se sigue, puede dañar gravemente el aparato y/o sus componentes.***

---

- 💡 Indica una información complementaria que puede referirse a piezas opcionales o simplemente para facilitar una tarea.**

### **⚠ ADVERTENCIA**

PARA REDUCIR EL RIESGO DE INCENDIO, CHOQUE ELÉCTRICO O HERIDAS CORPORALES, SIGA LAS INDICACIONES SIGUIENTES:

1. Utilice este aparato sólo en la forma prevista por el fabricante. Si tiene preguntas, póngase en contacto con el fabricante.
2. Antes de realizar tareas de mantenimiento o de limpiar el aparato, apague la alimentación en el tablero de servicio.
3. Este aparato no ha sido pensado para proporcionar aire de combustión o de dilución para aparatos que queman combustible.
4. No use el aparato con un dispositivo de control de velocidad de semiconductores diferente del que se indica en la sección 4.
5. **MODELO FIN-180P SOLAMENTE:** No utilice un ventilador con un cable o enchufe dañado. Deseche el ventilador o póngase en contacto con su contratista de calefacción, ventilación y aire acondicionado o con el fabricante.
6. **MODELO FIN-180P SOLAMENTE:** No haga pasar el cable por debajo de una alfombra o moqueta. No cubra el cable con alfombrillas, tapetes u otros recubrimientos similares. No pase el cable por debajo de muebles o electrodomésticos. Haga pasar el cable lejos de las zonas de circulación y donde nadie pueda tropezarse con él.
7. Los trabajos de instalación han de ser realizados por personas cualificadas, de conformidad con todos los códigos y normas aplicables, incluyendo los relativos a la construcción contra incendios.
8. Al cortar o taladrar en una pared o en el techo, procure no dañar el cableado eléctrico ni otras instalaciones ocultas.
9. **TODOS LOS APARATOS:** Este aparato debe conectarse a tierra. **MODELO FIN-180P SOLAMENTE:** El cable de alimentación lleva un enchufe con toma de tierra de 3 patillas para su seguridad personal. Debe enchufarse en una toma de corriente para tres patillas, conectada a tierra de acuerdo con el código eléctrico nacional y los códigos y ordenanzas locales. No retire la patilla de la toma de tierra. No utilice el aparato con un cable prolongador.
10. Durante el mantenimiento, limpieza e instalación de este aparato se aconseja llevar lentes y guantes de seguridad.
11. Cuando la reglamentación local aplicable sea más restrictiva en materia de instalación o certificación, dicha reglamentación prevalecerá sobre las exigencias de este manual y el instalador acepta atenerse a dicha reglamentación y asumir los gastos correspondientes.
12. El aparato debe montarse al menos a 3,3 pies (1 metro) de distancia de cualquier abertura accesible del conducto.

### **PRECAUCIÓN**

1. Para mayor información sobre otras exigencias, lea la etiqueta de especificaciones que viene en el aparato.
2. No introduzca el aire en espacios situados entre paredes, en el techo o en un desván, en sótanos pequeños ni en cocheras. No intente recuperar el aire de salida de una secadora o de una campana ya que podría obstruirse el módulo de recuperación.
3. Diseñado para instalaciones residenciales únicamente, de conformidad con los requisitos de la norma NFPA 90B.
4. Al ausentarse de la vivienda durante un periodo largo (más de dos semanas), una persona responsable debería verificar regularmente si el aparato funciona correctamente.
5. Al menos una vez al año, personal de servicio cualificado debería examinar las piezas mecánicas y electrónicas del aparato.
6. Dado que el sistema de control electrónico del aparato utiliza un microprocesador, es posible que no funcione correctamente debido a los ruidos externos o a fallas de alimentación muy cortas. Si esto ocurre, desenchufe la fuente de alimentación de baja tensión del aparato y espere aproximadamente 10 segundos. A continuación, enchufe de nuevo la fuente de alimentación de baja tensión.
7. La boca de admisión de aire exterior ha de ser a prueba de intemperie y llevar una tela metálica contra los pájaros.
8. Si decide deshacerse de este aparato o de partes de él, hágalo de conformidad con las leyes y reglamentos locales.
9. Algunas zonas son propensas a una mayor frecuencia de las subidas de tensión inducidas por los rayos. Se aconseja usar un dispositivo protector contra las subidas de tensión para proteger los aparatos situados en esas zonas.

# ÍNDICE

<b>1. INFORMACIÓN DEL USUARIO .....</b>	<b>4</b>
1.1 Control mural opcional .....	4
1.2 Instrucciones de mantenimiento para el usuario .....	4
1.3 Modo confort .....	4
<b>2. PLANIFICACIÓN .....</b>	<b>5</b>
2.1 Zonas de instalación .....	5
2.2 Tipos de instalación .....	5
2.2.1 Instalación autónoma .....	5
2.2.2 Instalación con una AHU .....	5
<b>3. PREPARACIÓN .....</b>	<b>6</b>
3.1 Ubicación del aparato .....	8
3.1.1 Ubicación a ras del techo .....	8
3.1.2 Ubicación debajo del techo o en la pared .....	9
3.1.3 Colgado del techo .....	9
3.1.4 Ubicación en el desván .....	9
3.2 Conexión de los conductos aislados al aparato .....	10
3.3 Conecte la alimentación .....	10
3.3.1 FIN-180P .....	10
3.3.2 FIN-180P-HW .....	10
<b>4. CABLEADO .....</b>	<b>11</b>
4.1 Cableado y diagramas lógicos .....	11
4.2 Conexión a la AHU .....	12
4.3 Conexión al control mural opcional VT11W .....	12
<b>5. CÓMO PROBAR EL APARATO .....</b>	<b>13</b>
<b>6. PIEZAS DE RECAMBIO .....</b>	<b>14</b>
<b>7. SOLUCIÓN DE PROBLEMAS .....</b>	<b>15</b>
7.1 Solución de problemas para FIN-180P .....	15
7.2 Solución de problemas para FIN-180P-HW .....	16
7.3 Solución de problemas para todos los aparatos .....	17
<b>8. GARANTÍA .....</b>	<b>18</b>
<b>9. APÉNDICE A .....</b>	<b>19</b>
<b>10. APÉNDICE B .....</b>	<b>20</b>

# 1. INFORMACIÓN DEL USUARIO

---

## 1.1 CONTROL MURAL OPCIONAL

Este aparato puede conectarse a un control mural VT11W.

- Tras el inicio, el LED del control mural se encenderá durante la secuencia de arranque y permanecerá encendido cuando el aparato empiece a funcionar después de la secuencia de arranque. Presione el botón pulsador para apagar el aparato; el LED del control mural también se apagará.
- Cuando llegue el momento de realizar el mantenimiento del filtro, el LED del control mural parpadeará lentamente (2 segundos encendido, 2 segundos apagado). Una vez realizadas las tareas de mantenimiento, presione y mantenga presionado el botón pulsador durante 5 segundos para reiniciar el recordatorio de mantenimiento del filtro.
- Consulte a su instalador si se produce otro tipo de parpadeo.

## 1.2 INSTRUCCIONES DE MANTENIMIENTO PARA EL USUARIO

- El filtro metálico que viene con este aparato debe limpiarse cada 6 meses con agua y un jabón suave. Para retirar el o los filtros, abra la puerta, suelte el clip que sujeta el filtro y saque el filtro. Deje secar el filtro completamente antes de volver a colocarlo en el aparato; cuando se vuelva a colocar en el aparato, asegúrese de que esté derecho.
- Examine la admisión de aire exterior al menos una vez al año.
- Durante el primer año de funcionamiento se aconseja examinar el aparato con mayor frecuencia, especialmente si vive cerca de una autopista o en una zona donde hay muchas obras de construcción, que generan mucho polvo. En tales condiciones, puede que sea necesario limpiar o cambiar los filtros con mayor frecuencia.
- Sustituya los filtros opcionales MERV al menos una vez al año; no trate de limpiarlos y reutilizarlos.
- Estas recomendaciones pueden cambiar según las condiciones ambientales de su zona.

## 1.3 MODO CONFORT

Si el aire dentro de su casa es demasiado húmedo o si se quiere prevenir tales condiciones, se puede cambiar el modo de funcionamiento del ventilador de alimentación y pasar de un modo conforme con el código (modos 1 a 3) a un modo de confort (modos A a E). Consulte el mapa en el apéndice A para acertar en la selección.

Al realizar este cambio, asegúrese de que sólo cambia el modo y deje el % de tiempo de funcionamiento como lo configuró el instalador. En caso de duda, consulte a su contratista de climatización.

Modo seleccionado	Zonas climáticas*
1 - Ashrae 2016	Zonas 1-4
2 - Ashrae 2010 (configuración de fábrica)	Zonas 1-4
3 - IRC / IMC 2012-2015	Zonas 1-4
A - Modo confort caliente/húmedo #1	Zonas 2A y 1
B - Modo confort caliente/húmedo #2	Zonas 1 y 2A
C - Modo confort caliente/seco	Zona 2B
D - Modo confort mixto/húmedo	Zonas 3A, 4A, 3C y 4C
E - Modo confort mixto/seco	Zonas 3B y 4B

\*Según lo definido por el Departamento de Energía. Consulte el mapa del apéndice A.



## 2. PLANIFICACIÓN

### 2.1 ZONAS DE INSTALACIÓN

Los modelos FIN-180P y FIN-180P-HW pueden instalarse en las zonas climáticas 1 a 4, según lo definido por el Departamento de Energía (consulte el mapa del apéndice A), ya sea como aparato autónomo o conectado a los conductos de una unidad de acondicionamiento del aire (AHU). La instalación en cualquier otra zona climática puede causar daños en la casa.

### 2.2 TIPOS DE INSTALACIÓN

#### PRECAUCIÓN

**Utilice siempre conductos aislados con un factor de aislamiento mínimo R-4.**

##### 2.2.1 INSTALACIÓN AUTÓNOMA

El instalador deberá asegurarse de que, de ser necesario, se instale un calentador en línea de un tamaño acorde con la corriente de aire y con la temperatura de calentamiento del diseño exterior, según el Manual J o la tabla ASHRAE, para evitar la condensación en los sistemas de distribución con conductos no aislados dentro de la casa o en superficies cercanas al registro de distribución. El calentador en línea tendrá un sensor de la corriente de aire y un sensor de temperatura integrados para prevenir el calentamiento en ausencia o con poca corriente.

A la hora de decidir si se necesita un precalentador y si se debe instalar ANTES o DESPUÉS del ventilador de alimentación, tenga en cuenta los siguientes aspectos:

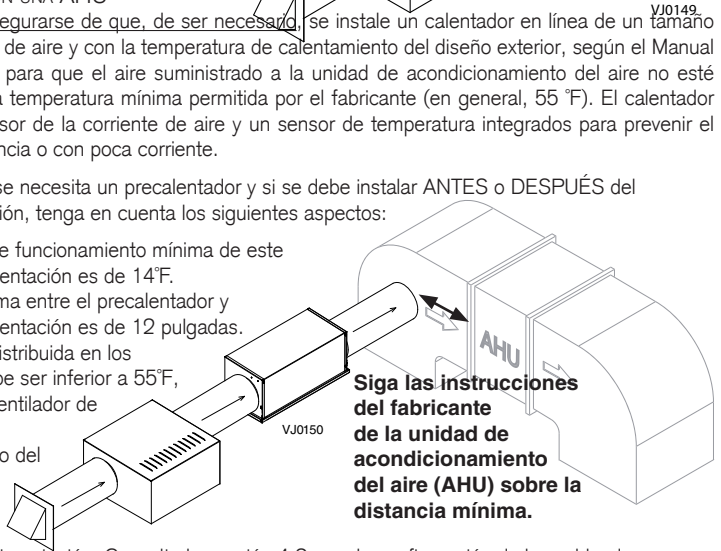
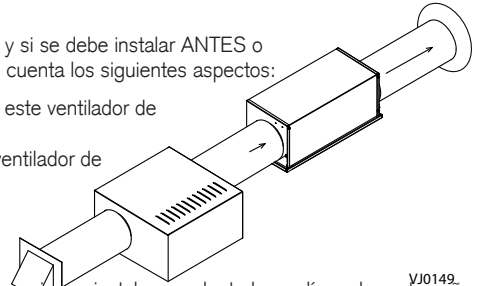
- La temperatura de funcionamiento mínima de este ventilador de alimentación es de 14°F.
- La distancia mínima entre el precalentador y ventilador de alimentación es de 12 pulgadas.
- La temperatura distribuida en los conductos no debe ser inferior a 55°F.

##### 2.2.2 INSTALACIÓN CON UNA AHU

El instalador deberá asegurarse de que, de ser necesario, se instale un calentador en línea de un tamaño acorde con la corriente de aire y con la temperatura de calentamiento del diseño exterior, según el Manual J o la tabla ASHRAE, para que el aire suministrado a la unidad de acondicionamiento del aire no esté nunca por debajo de la temperatura mínima permitida por el fabricante (en general, 55 °F). El calentador en línea tendrá un sensor de la corriente de aire y un sensor de temperatura integrados para prevenir el calentamiento en ausencia o con poca corriente.

A la hora de decidir si se necesita un precalentador y si se debe instalar ANTES o DESPUÉS del ventilador de alimentación, tenga en cuenta los siguientes aspectos:

- La temperatura de funcionamiento mínima de este ventilador de alimentación es de 14°F.
- La distancia mínima entre el precalentador y ventilador de alimentación es de 12 pulgadas.
- La temperatura distribuida en los conductos no debe ser inferior a 55°F, a menos que el ventilador de la unidad de acondicionamiento del aire esté siempre funcionando cuando funciona el ventilador de alimentación. Consulte la sección 4.2 para la configuración de los cableados.



### 3. PREPARACIÓN

#### PRECAUCIÓN

**Este aparato se ha de dotar de una fuente alimentación de baja tensión (AHU o otra); consúltese la sección 5.2 para el cableado.**

1. Saque el aparato de la caja y examínelo para ver si ha sufrido daños. Las piezas para la instalación se encuentran en una bolsa de plástico junto con esta guía, en la parte superior del relleno.
  2. Coloque la unidad sobre una mesa protegida.
  3. Abra la puerta del aparato y retire el filtro para disponer de más espacio para trabajar en el compartimento eléctrico.
- 💡 Este aparato lee la temperatura y la humedad relativa cada hora y utiliza estos datos para elegir el mejor momento del día para ventilar, según los límites preestablecidos en el modo elegido.
4. Consulte la tabla siguiente. Elija el modo en que desee que funcione el aparato y **anótelo** en el espacio previsto para ello en la etiqueta del aparato.

Modo seleccionado*	Zonas climáticas**
1 - Ashrae 2016	Zonas 1-4
2 - Ashrae 2010 (configuración de fábrica)	Zonas 1-4
3 - IRC / IMC 2012-2015	Zonas 1-4
A - Modo confort caliente/húmedo #1	Zonas 2A y 1
B - Modo confort caliente/húmedo #2	Zonas 1 y 2A
C - Modo confort caliente/seco	Zona 2B
D - Modo confort mixto/húmedo	Zonas 3A, 4A, 3C y 4C
E - Modo confort mixto/seco	Zonas 3B y 4B

\*Para la tabla completa de límites, consulte la etiqueta en la entrada o en el apéndice B.

\*\*Según lo definido por el Departamento de Energía. Consulte el mapa del apéndice A.

5. Consulte el código de construcción local para **determinar la corriente de aire necesaria**.
6. Consulte las tablas siguientes. Encuentre la velocidad y el porcentaje de tiempo de funcionamiento en los que se ha de configurar el aparato para que proporcione la corriente de aire necesaria y **anote los valores** elegidos en el espacio previsto para ello en la etiqueta del aparato.

Por ejemplo: Si la corriente de aire necesaria es de 90 pi<sup>3</sup>/min (90 CFM, rodeado con un círculo abajo), el interruptor de velocidad debe establecerse en 180 pi<sup>3</sup>/min (180 CFM), y el botón del porcentaje de tiempo de funcionamiento en 50 %.

#### % de tiempo de funcionamiento según la configuración de la velocidad y la corriente de aire necesaria

Velocidad (pi <sup>3</sup> /min)	Corriente de aire necesaria (pi <sup>3</sup> /min)															
	30	35	40	45	50	55	60	65	70	75	80	85	90	95	100	105
130	25	30	30	35	40	40	45	50	55	60	60	65	70	75	80	80
180	20	20	20	25	30	30	35	35	40	40	45	50	50	55	55	60

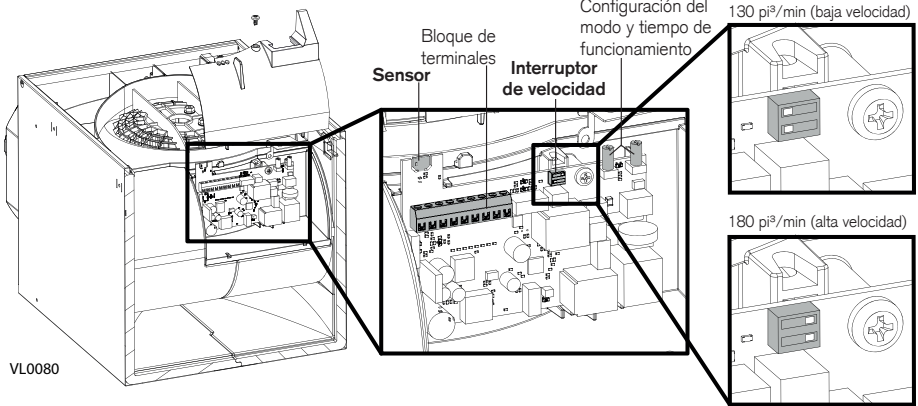
Valor del botón de % de tiempo de funcionamiento

Velocidad (pi <sup>3</sup> /min)	Corriente de aire necesaria (pi <sup>3</sup> /min)														
	110	115	120	125	130	135	140	145	150	155	160	165	170	175	180
130	85	90	90	95	100	-	-	-	-	-	-	-	-	-	-
180	60	65	70	70	70	75	80	80	85	85	70	90	95	95	100

Valor del botón de % de tiempo de funcionamiento

Los valores en gris son los parámetros recomendados y deberían ser los valores preferidos.

7. Retire el tornillo que sujeta la tapa del compartimento electrónico así como la tapa.
8. Establezca el **interruptor de velocidad** en 130 pi<sup>3</sup>/min o 180 pi<sup>3</sup>/min, según la configuración elegida en la etapa 6. El aparato ha sido configurado en fábrica en 130 pi<sup>3</sup>/min.



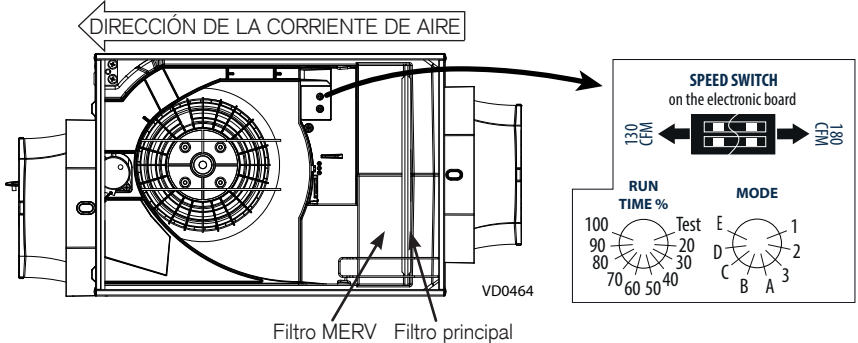
9. Utilice el bloque de terminales situado en la tarjeta electrónica para realizar la conexión de baja tensión; consulte la sección 4.2 para los diagramas de cableado. Es obligatorio conectar el aparato a una fuente de alimentación de baja tensión.
  - Asegúrese de respetar la polaridad de las conexiones.
  - Preste especial atención al sensor situado encima del bloque de terminales y a los botones del potenciómetro en la tarjeta electrónica; son muy frágiles: procure no dañarlos al realizar las conexiones.
  - Pase los hilos de baja tensión junto con los otros hilos hasta el agujero y el ojete en la carcasa, donde los hilos de baja tensión deberían salir. Asegúrese de volver a instalar la espuma de sellado de los hilos.

⚠ Si el aparato se conecta a un control mural opcional VT11W, el cable de baja tensión debería conectarse ahora al bloque de terminales. Consulte la sección 4.3 para el diagrama de cableados.

## PRECAUCIÓN

**Compruebe que ha vuelto a colocar en su sitio la espuma de sellado de los hilos.**

10. Vuelva a instalar la tapa del compartimento electrónico (asegúrese de no dejar pillados los cables) y configure los botones de modo y de % de tiempo de funcionamiento, según la configuración elegida anteriormente.

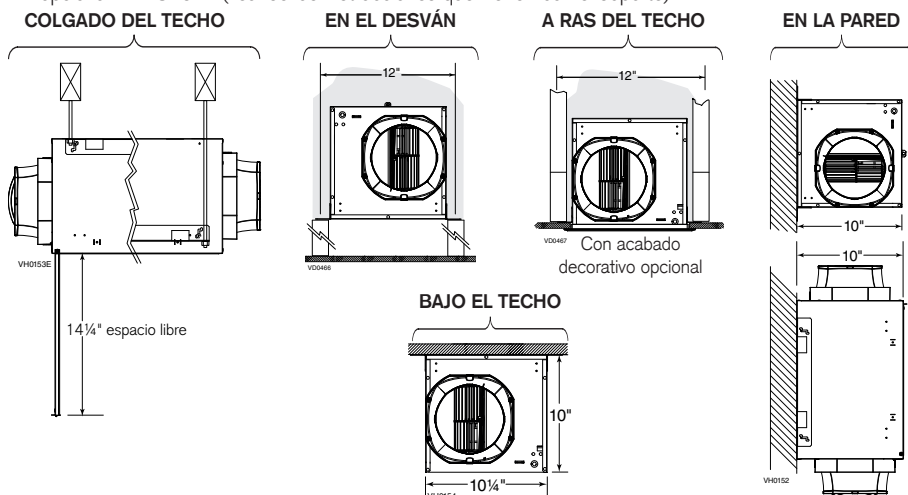


11. Vuelva a instalar el filtro principal en el aparato.

⚠ Ahora se puede instalar un filtro MERV opcional. El filtro principal debe permanecer como prefiltro y el filtro MERV debe instalarse como se indica arriba.

### 3.1 UBICACIÓN DEL APARATO

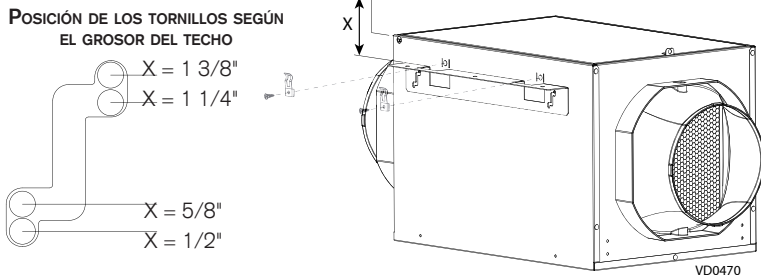
- ⚠ Al elegir un lugar para este aparato, tenga en cuenta que el usuario final habrá de ocuparse regularmente del mantenimiento. Elija un lugar al que se pueda acceder fácilmente y prevea un espacio libre de 14¼ pulgadas para que la puerta pueda abrir.
- ⚠ Para una instalación entre viguetas situadas a 16 o a 24 pulgadas de distancia, utilice el soporte opcional FIN-S1624 (véanse las instrucciones que vienen con el soporte).



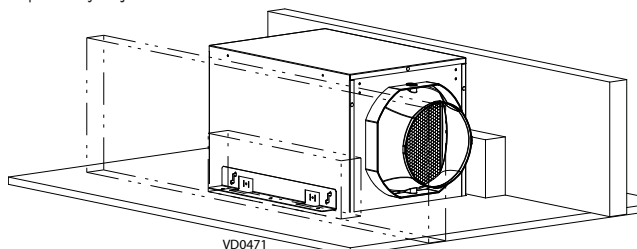
#### 3.1.1 UBICACIÓN A RAS DEL TECHO

- ⚠ Si el acabado se hace utilizando el acabado decorativo opcional (n.º de pieza FIN-R1015), los muelles incluidos en el kit opcional deberán instalarse antes que los soportes.

1. Instale los soportes en el aparato siguiendo el diagrama de abajo para adaptarse al grosor del techo; utilice para ello 4 tornillos n.º 8-18 x 0,375 pulg. **NO UTILISE OTROS TORNILLOS.**



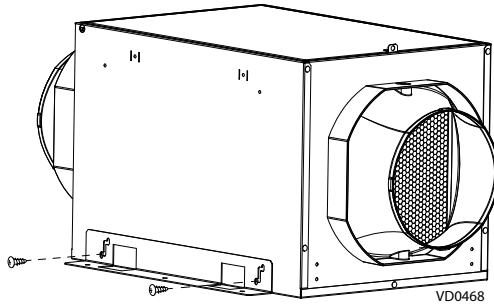
2. Instale el aparato entre las viguetas, utilizando para ello 4 tornillos n.º 10-12 x 0,625 pulg. Este aparato está diseñado para caber entre viguetas situadas a 12 pulgadas de distancia. Si las viguetas están más cerca, no fuerce el aparato y elija otro método de instalación.



- ⚠ Antes de pintar, limpie la carcasa metálica con un disolvente y el el acabado decorativo con agua.

### 3.1.2 UBICACIÓN DEBAJO DEL TECHO O EN LA PARED

1. Instale los soportes, como se muestra en la figura A, utilizando para ello 4 tornillos n.º 8-18 x 0,375 pulg. **NO UTILISE OTROS TORNILLOS.**
  2. Sujete el aparato a la pared o al techo (use los montantes, las viguetas u otro soporte sólido), utilizando para ello 4 tornillos n.º 10-12 x 0,625 pulg. u otros tornillos más largos, si es necesario.
- ! Cuando se instale en una pared, el aparato puede orientarse como se desee en función de sus necesidades.

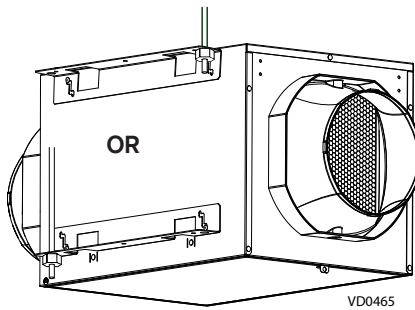


**Figura A : Instalación de los soportes**

### 3.1.3 COLGADO DEL TECHO

Los soportes han sido pensados para colgar el aparato mediante varillas roscadas.

1. Instale los soportes en el aparato de una de las dos formas que se ilustran abajo, utilizando para ello 4 tornillos n.º 8-18 x 0,375 pulg. **NO UTILISE OTROS TORNILLOS.** Utilice tuercas para sujetar el aparato.



### 3.1.4 UBICACIÓN EN EL DESVÁN

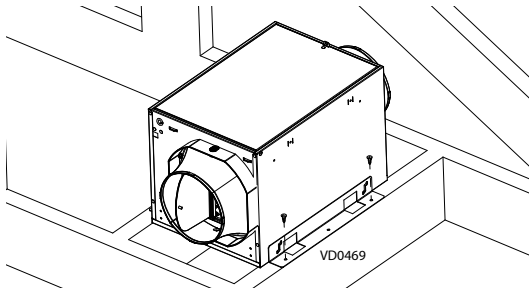
---

#### **PRECAUCIÓN**

---

***No instale el aparato en un desván donde la temperatura puede superar los 160°F.***

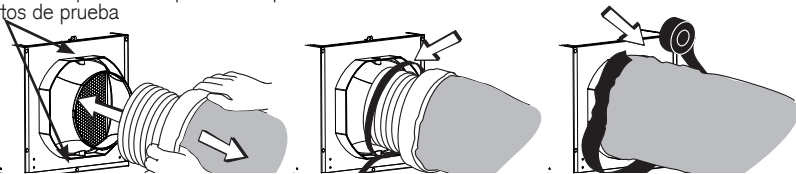
1. Instale los soportes en el aparato, como se muestra arriba en la figura A, utilizando para ello 4 tornillos n.º 8-18 x 0,375 pulg. **NO UTILISE OTROS TORNILLOS.**
2. Sujete el aparato a las viguetas o al armazón, utilizando para ello 4 tornillos n.º 10-12 x 0,625 pulg.



### 3.2 CONEXIÓN DE LOS CONDUCTOS AISLADOS AL APARATO

1. Deslice el conducto flexible redondo interior de 6 pulg. sobre el puerto y átelo con una tira de amarre.
2. Tire el aislamiento y colóquelo sobre el anillo interior del puerto sin comprimirlo para reducir la formación posible de condensación en el conducto y para reducir la pérdida y la ganancia de calor.
3. Utilice cinta adhesiva para sellar la membrana exterior del conducto aislado en el anillo exterior del puerto y así formar una trayectoria hermética. Eso reducirá la pérdida y la ganancia de calor y reducirá la posibilidad de condensación.

⚠ Evite el bloqueo de los puertos de prueba con la cinta adhesiva.  
Puertos de prueba



### PRECAUCIÓN

**Compruebe que el aislamiento esté reemplazado alrededor de cualquier abertura que se deba practicar para la instalación del aparato o del conducto. Sellar el aislamiento con cinta adhesiva o masilla para reducir la pérdida y la ganancia de calor del edificio y para reducir la posibilidad de condensación.**

### ⚠ ADVERTENCIA

**Compruebe que la boca de admisión de aire exterior esté al menos a 12 pulgadas por encima del suelo y a 6 pies de distancia de cualquiera de los siguientes elementos: Salida de aire de una secadora, abertura de caldera de alto rendimiento, abertura de aspirador central, abertura de contador de gas, parrilla o barbacoa de gas, cualquier abertura de una fuente de combustión, cubo de basura u otra fuente de contaminación.**

⚠ Asegúrese de que se pueda acceder fácilmente a la boca de admisión de aire exterior para el mantenimiento anual. Si se encuentra por encima de la primera planta, colóquela cerca de una ventana o balcón para facilitar el acceso.

**IMPORTANTE** - Los conductos desde este ventilador hacia el exterior del edificio tienen un gran efecto sobre el flujo de aire, el ruido y el uso de energía del ventilador. Utilice el tramo de conductos más corto y recto posible para obtener un desempeño óptimo y evite instalar el ventilador con conductos menores que los recomendados. El aislamiento alrededor de los conductos puede reducir la pérdida de energía e inhibir el desarrollo de moho. Los ventiladores instalados en conductos existentes podrían no obtener el flujo de aire nominal.

### CONECTE LA ALIMENTACIÓN

#### 3.2.1 FIN-180P

Conecte el cable de alimentación a una toma de corriente mural para tres patillas.

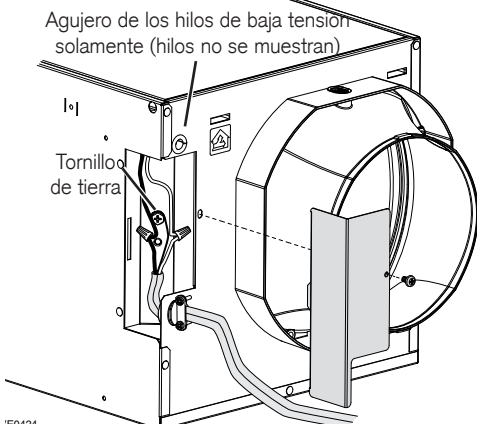
#### 3.2.2 FIN-180P-HW

### ⚠ ADVERTENCIA

**Riesgo de descarga eléctrica. El cableado eléctrico debe ser realizado por personal cualificado, de acuerdo con todos los códigos y normas aplicables. Antes de conectar los hilos, apague la alimentación en el tablero de servicio y bloquee los medios de desconexión para evitar que se conecte la corriente accidentalmente.**

NOTA: El conducto aislado y los hilos de baja tensión no se muestran para simplificar la ilustración.

1. Separe la cubierta del compartimento eléctrico del aparato retirando el tornillo de retención.
2. Instale en el aparato la abrazadera de cables. Inserte el cable de alimentación doméstica por la abrazadera de cables y apriete la abrazadera para sujetar el cable.
3. Utilice los conectores de cables para conectar los cables de la siguiente manera: El NEGRO con el NEGRO, el BLANCO con el BLANCO y el cable VERDE o PELADO bajo el tornillo de tierra VERDE. NO OLVIDE LA CONEXIÓN A TIERRA.
4. Vuelva a poner en su lugar la cubierta del compartimento eléctrico procurando no aplastar los cables. Restablezca la corriente en el tablero de servicio.

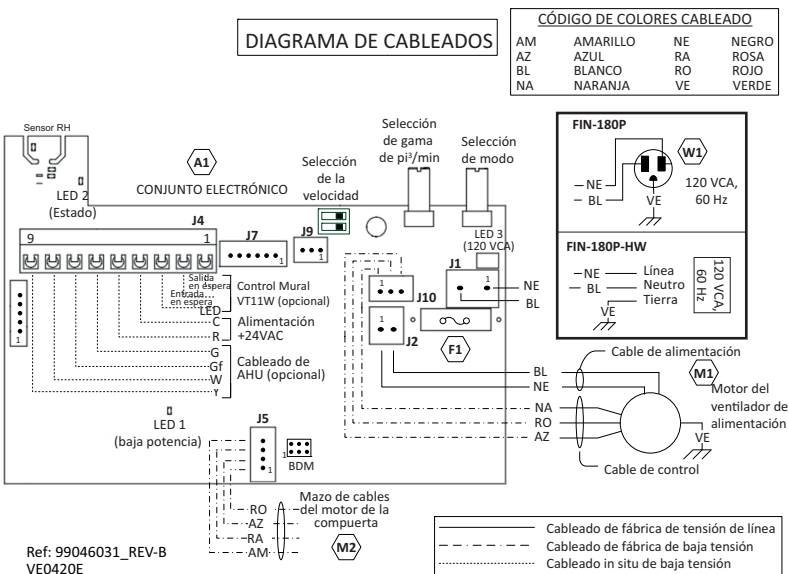
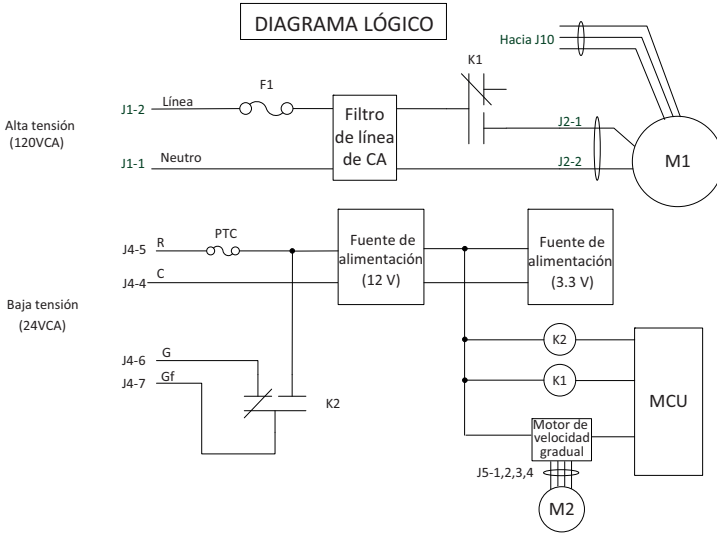


## 4. CABLEADO

### ⚠ ADVERTENCIA

**Riesgo de descarga eléctrica. El cableado eléctrico debe ser realizado por personal cualificado, de acuerdo con todos los códigos y normas aplicables. Antes de conectar los hilos, apague la alimentación en el tablero de servicio y bloquee los medios de desconexión para evitar que se conecte la corriente accidentalmente.**

#### 4.1 CABLEADO Y DIAGRAMAS LÓGICOS



## 4.2 CONEXIÓN A LA AHU

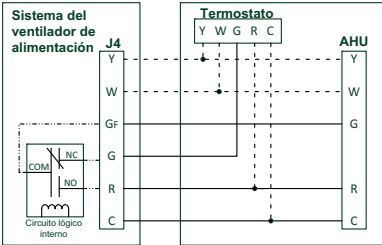
### ⚠ ADVERTENCIA

**Riesgo de descarga eléctrica. El cableado eléctrico debe ser realizado por personal cualificado, de acuerdo con todos los códigos y normas aplicables. Antes de conectar los hilos, apague la alimentación en el tablero de servicio y bloquee los medios de desconexión para evitar que se conecte la corriente accidentalmente.**

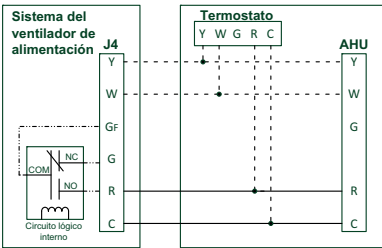
### PRECAUCIÓN

**La interfaz de control de los sistemas AHU puede variar. Póngase en contacto con su proveedor de la unidad de acondicionamiento del aire (AHU) para cualquier instalación con especificaciones eléctricas de cableado distintas.**

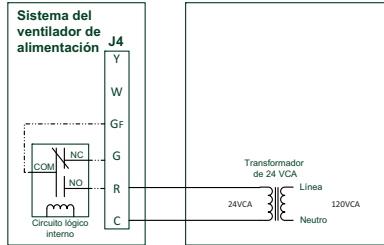
Ponga en marcha el ventilador impulsor de la unidad AHU cuando esté funcionando el ventilador de alimentación



Ventilador impulsor de la unidad AHU no activado cuando está en marcha el ventilador de alimentación



Sin conexión con la unidad AHU, alimentación autónoma

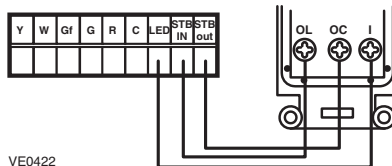


- Cableado de instalación obligatoria
- - - Conexiones internas alámbricas del ventilador de alimentación
- - - - Instalación facultativa del cableado para sincronización

Sincronice el funcionamiento del ventilador de alimentación del aparato AHU para prevenir un funcionamiento inútil del ventilador central (vease las líneas de puntos en el diagrama al lado).

VE0484E

## 4.3 CONEXIÓN AL CONTROL MURAL OPCIONAL VT11W



VE0422

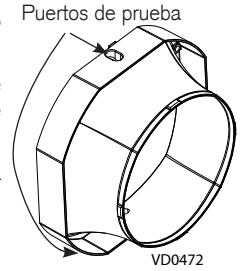


## 5. CÓMO PROBAR EL APARATO

---

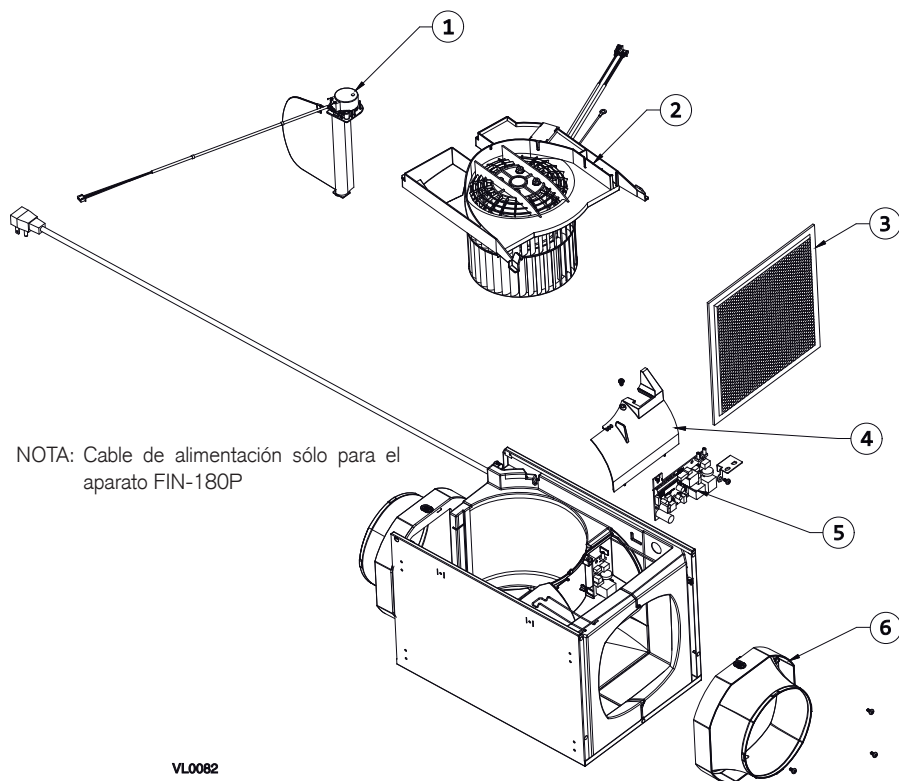
Una vez que se haya instalado el aparato, que se haya hecho la conexión de baja tensión, que se hayan instalado los conductos y las bocas, puede probarse la corriente de aire. Para hacerlo:

1. Abra la puerta del aparato y tome nota de la configuración del % de tiempo de funcionamiento del aparato.
2. Si se conecta a los conductos de una unidad AHU (unidad de acondicionamiento del aire), apague dicha unidad al medir la corriente de aire.
3. Gire el botón de % de tiempo de funcionamiento hasta colocarlo en la posición "Test" y cierre la puerta.
4. Espere a que haya terminado la secuencia de arranque (al menos 45 segundos).
5. Retire el tapón del puerto de prueba en el lado de la admisión de aire del aparato.
6. Pruebe la corriente de aire mediante un tubo Pitot. La distancia entre el puerto de prueba y el centro del conducto es de 3,75 pulgadas.
7. Vuelva a colocar el tapón en el puerto de prueba.
8. Vuelva a colocar el botón de % de tiempo de funcionamiento en su configuración anterior.



**NOTA:** Para forzar la clausura de la compuerta, desenchufe el cable de alimentación o apague la alimentación en el tablero de servicio. La baja tensión (24VCA) debe permanecer conectada para permitir el funcionamiento de la compuerta.

## 6. PIEZAS DE RECAMBIO



VL0082

N.º	N.º de pieza	Descripción
1	S97021043	Conjunto de la compuerta
2	S97021044	Conjunto del motor
3	S97021045	Filtro principal
4	S97021048	Tapa electrónica
5	S97021047	Tarjeta electrónica
6	S97021041	Puerto 6 pulg.
No se muestra	FIN-S1624	Soporte opcional
No se muestra	VT11W	Control mural opcional
No se muestra	FIN-R1015	Acabado decorativo opcional
No se muestra	S99010461	Filtro opcional MERV 8
No se muestra	S99010462	Filtro opcional MERV13

### Repuestos y reparaciones

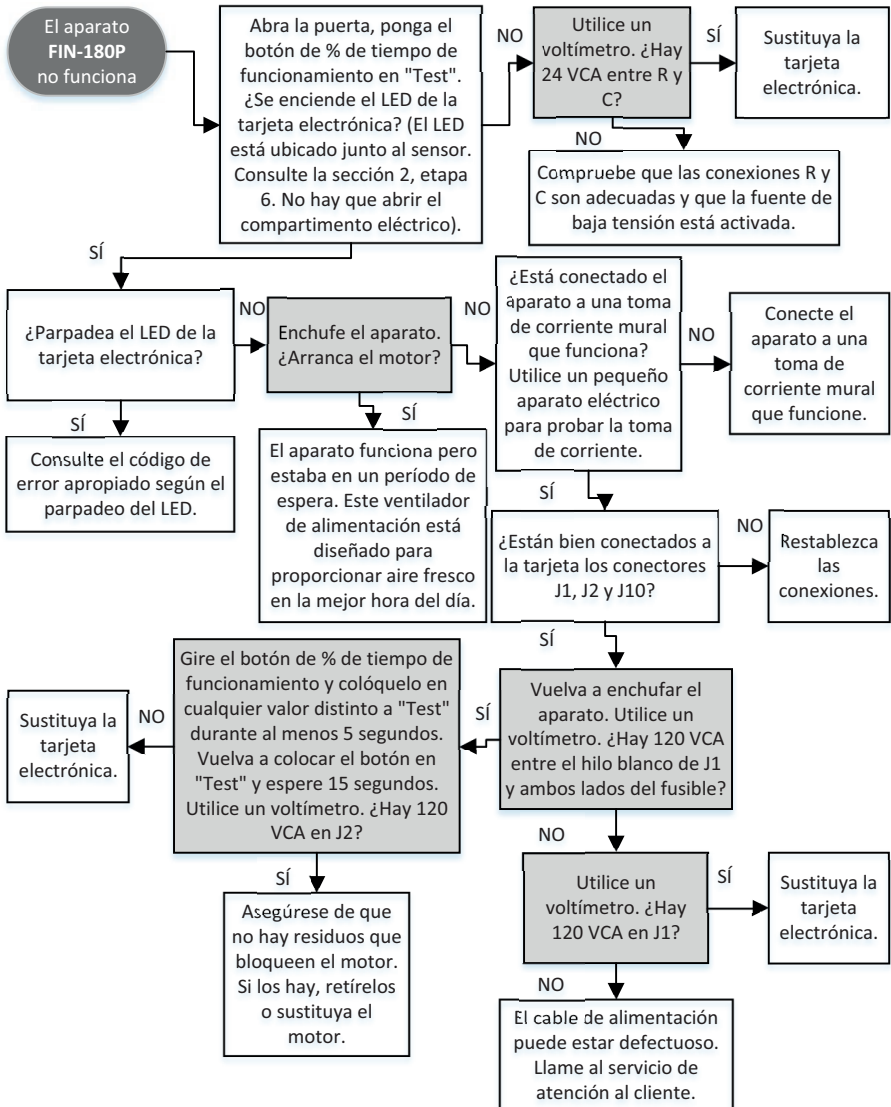
Para que el aparato de ventilación esté en buenas condiciones, sólo debe utilizar repuestos Broan-NuTone LLC genuinos. Los repuestos Broan-NuTone LLC genuinos han sido diseñados especialmente para cada aparato, han sido fabricados de conformidad con todas las normas de certificación aplicables y ofrecen un alto nivel de seguridad. El uso de repuestos diferentes puede provocar daños graves y reducir drásticamente el nivel de rendimiento del aparato, lo cual podría causar una avería prematura. Asimismo, Broan-NuTone LLC recomienda ponerse en contacto con un almacén de servicio certificado de Broan-NuTone LLC para todos los repuestos y reparaciones.

## 7. SOLUCIÓN DE PROBLEMAS

### ⚠ ADVERTENCIA

**Riesgo de descarga eléctrica. Antes de cualquier trabajo de reparación o mantenimiento, desconecte siempre el aparato de su fuente de alimentación o corte la corriente en el tablero eléctrico. Algunas etapas de la solución de problemas (recuadros en gris claro) requieren que el aparato esté encendido mientras se manipula; tenga cuidado con las piezas activas y móviles en todo momento.**

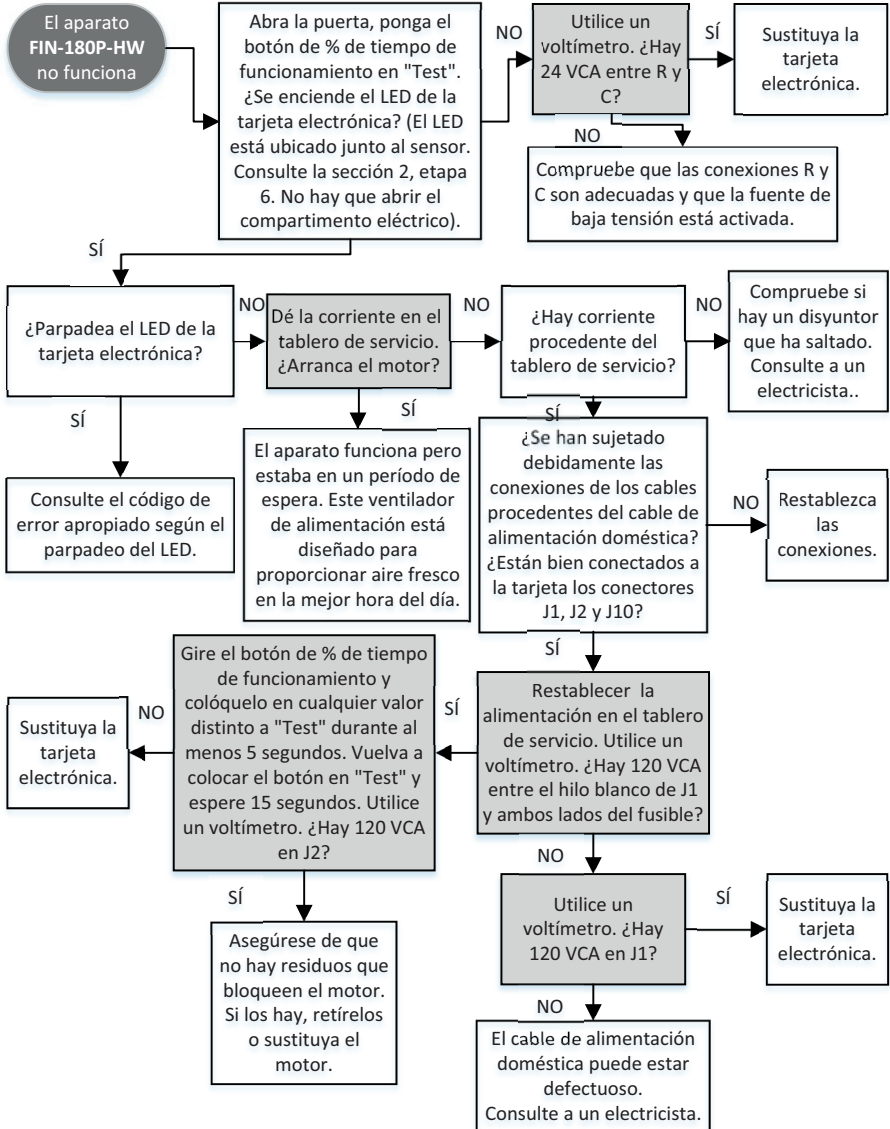
#### 7.1 SOLUCIÓN DE PROBLEMAS PARA FIN-180P



## ⚠ ADVERTENCIA

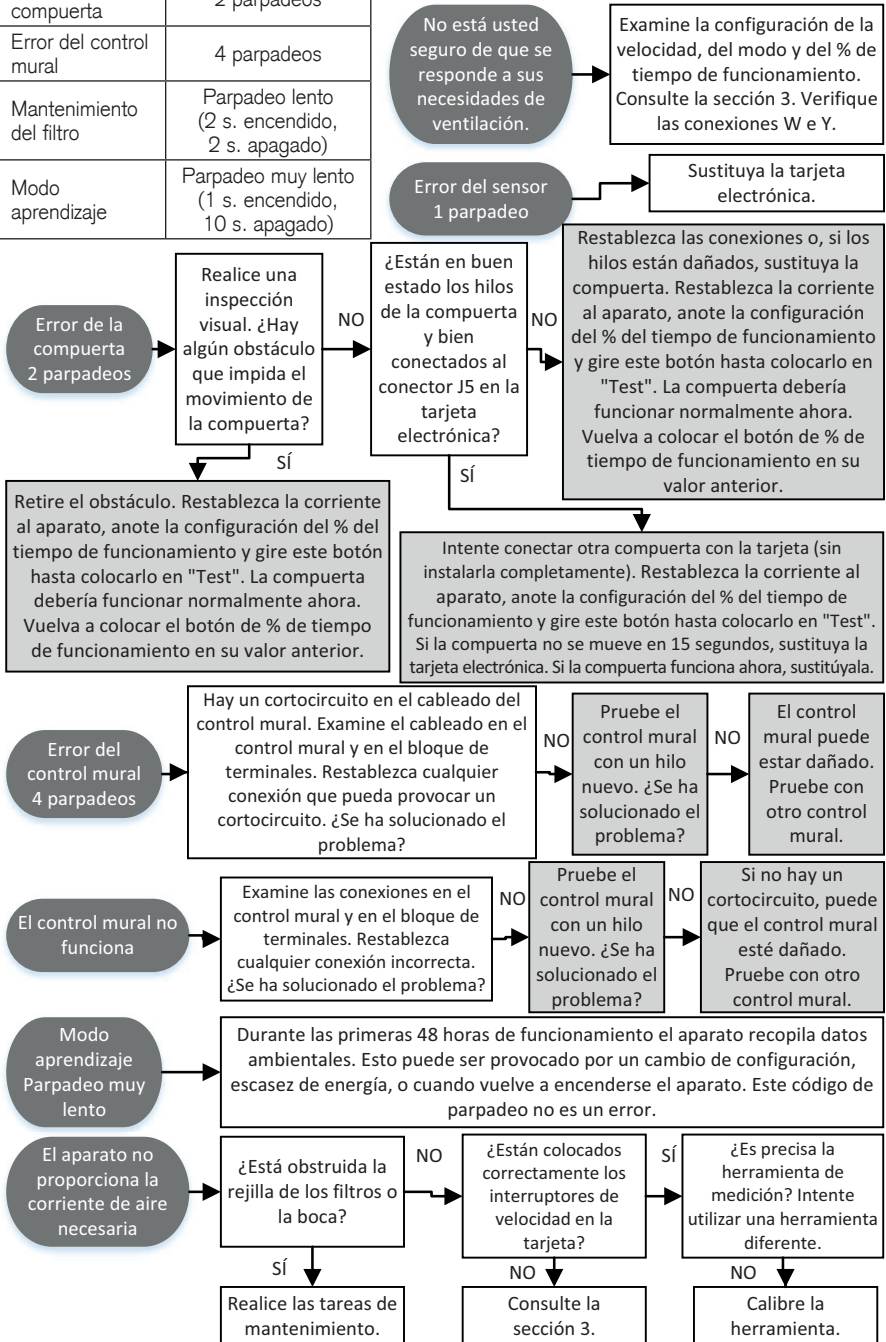
**Riesgo de descarga eléctrica. Antes de cualquier trabajo de reparación o mantenimiento, desconecte siempre el aparato de su fuente de alimentación o corte la corriente en el tablero eléctrico. Algunas etapas de la solución de problemas (recuadros en gris claro) requieren que el aparato esté encendido mientras se manipula; tenga cuidado con las piezas activas y móviles en todo momento.**

### 7.2 SOLUCIÓN DE PROBLEMAS PARA FIN-180P-HW



### 7.3 SOLUCIÓN DE PROBLEMAS PARA TODOS LOS APARATOS

Códigos de parpadeo del LED	
Error del sensor	1 parpadeo
Error de la compuerta	2 parpadeos
Error del control mural	4 parpadeos
Mantenimiento del filtro	Parpadeo lento (2 s. encendido, 2 s. apagado)
Modo aprendizaje	Parpadeo muy lento (1 s. encendido, 10 s. apagado)



## 8. GARANTÍA

**Periodo de garantía y exclusiones:** Broan-NuTone LLC (la «Empresa») garantiza al comprador original de sus productos («usted») que el producto (el «Producto») estará libre de defectos en los materiales o de mano de obra durante cinco (5) años a partir de la fecha de compra del Producto.

El periodo de garantía limitada de cualquier repuesto que proporcione la Empresa y de los Productos reparados o sustituidos en virtud de la presente garantía limitada será el periodo de garantía original restante.

Esta garantía no cubre los cebadores de lámparas fluorescentes, los tubos, las bombillas halógenas e incandescentes, los fusibles, los filtros, los conductos, los capuchones para tejado, los capuchones murales y otros accesorios para conductos que pueden adquirirse por separado e instalarse con el Producto. Esta garantía tampoco cubre: a) el mantenimiento y el servicio normales, b) el desgaste y las roturas normales, c) los Productos o piezas que han sido objeto de un uso indebido, abuso, uso anormal, negligencia, mantenimiento, almacenamiento o reparación inadecuados o insuficientes (aparte de las reparaciones hechas por la Empresa), d) los daños causados por una mala instalación o una instalación o uso contrario a las recomendaciones o instrucciones de la Empresa o de sus representantes, e) cualquier Producto que haya sido desplazado de su punto de instalación original, f) los daños causados por elementos naturales o ambientales, g) los daños durante el transporte, h) el desgaste natural del acabado, i) los Productos a los que se da un uso comercial o no residencial, j) los daños causados por incendios, inundaciones u otras causas de fuerza mayor, k) las piezas consumibles, l) los daños estéticos, incluyendo, entre otros, los rasguños o las abolladuras, o m) los Productos cuyo número de serie haya sido alterado, borrado o eliminado. Esta garantía cubre sólo los Productos vendidos por la Empresa o por los distribuidores estadounidenses o canadienses autorizados por la Empresa a los consumidores originales en los Estados Unidos y Canadá.

Esta garantía sustituye todas las garantías previas y, con arreglo a la legislación vigente, no es transferible por parte del comprador original.

**Ninguna otra garantía** Esta garantía limitada contiene, con la máxima amplitud permitida por la ley aplicable, la única obligación por parte de la Empresa y su único recurso en caso de productos defectuosos. Las anteriores garantías son exclusivas y sustituyen a cualquier otra garantía y condiciones, expresas o implícitas. **LA EMPRESA DECLINA Y EXCLUYE TODAS LAS DEMÁS GARANTÍAS Y CONDICIONES EXPRESAS Y DECLINA Y EXCLUYE TODAS LAS GARANTÍAS Y CONDICIONES IMPLÍCITAS POR LEY, INCLUYENDO, ENTRE OTRAS, LAS GARANTÍAS DE COMERCIABILIDAD E IDONEIDAD PARA UN PROPÓSITO PARTICULAR.** En la medida en que la ley aplicable prohíba la exclusión de garantías o condiciones implícitas, la duración de cualquier garantía o condición implícita aplicable se limita al periodo indicado anteriormente para la garantía expresa. Algunas jurisdicciones no permiten limitaciones en la duración de una garantía implícita, por lo que la limitación anterior puede que no se aplique a usted. Cualquier descripción oral o escrita del Producto tiene como único propósito su identificación y no deberá interpretarse como una garantía expresa.

Siempre que sea posible, cada una de las disposiciones de la presente garantía limitada se interpretará de manera que esté en vigor y sea válida en virtud de la ley aplicable, pero, si una disposición cualquiera fuera objeto de prohibición o invalidación, dicha disposición dejará de estar en vigor únicamente en la medida de dicha prohibición o invalidación, sin que ello afecte al resto de dicha provisión ni a las demás disposiciones de la garantía limitada.

**Recurso** Durante el periodo de garantía limitada como se indicó anteriormente, la Empresa puede, de manera discrecional, proporcionar piezas de repuesto o reparar o sustituir, sin cargo alguno, cualquier Producto o parte de él, en la medida en que la Empresa considere que el Producto está cubierto o no se atiene a lo indicado en esta garantía limitada, en condiciones de uso y servicio normales. La Empresa le enviará el Producto reparado, el Producto de sustitución o las piezas de repuesto en Estados Unidos o Canadá sin costo alguno. Usted es responsable de todos los costos de extracción, reinstalación, transporte, seguros u otros cargos de flete por el envío del Producto o de la pieza a la Empresa. Si debe enviar el Producto o la pieza a la Empresa, según lo indicado por la Empresa, debe empaquetar correctamente el Producto o la pieza y la Empresa no se hace responsable de los daños durante el transporte. La Empresa se reserva el derecho de utilizar Productos o piezas restaurados, reparados, reacondicionados o reconstruidos en el proceso de reparación o sustitución previsto en la garantía. Dichos Productos y piezas serán comparables en su funcionamiento y rendimiento a un Producto o pieza original y están garantizados por el resto del periodo de garantía original.

La Empresa se reserva el derecho, a su entera discreción, de reembolsar el dinero que usted pagó por el Producto en lugar de repararlo o sustituirlo. Si el Producto o la pieza ya no está disponible, podrá ser sustituido por un Producto similar de valor equivalente o superior, a entera discreción de la Empresa.

**Exclusión de daños LA OBLIGACIÓN DE LA EMPRESA DE PROPORCIONARLE PIEZAS DE REPUESTO, DE REPARAR O SUSTITUIR EL PRODUCTO O DE REEMBOLSARLE, A ENTERA DISCRECIÓN DE LA EMPRESA, SERÁ SU ÚNICO Y EXCLUSIVO RECURSO EN VIRTUD DE ESTA GARANTÍA LIMITADA Y LA ÚNICA Y EXCLUSIVA OBLIGACIÓN DE LA EMPRESA. EN LA MEDIDA QUE LO PERMITA LA LEY APLICABLE, LA EMPRESA NO SERÁ RESPONSABLE DE LOS DAÑOS INCIDENTALES, INDIRECTOS, CONSECUENTES O ESPECIALES QUE SURJAN O ESTÉN RELACIONADOS CON EL PRODUCTO, SU USO O RENDIMIENTO.** Los daños incidentales incluyen, entre otras cosas, la pérdida de tiempo y la pérdida del uso. Los daños consecuentes incluyen, entre otras cosas, el costo de la reparación o sustitución de otros bienes que resulten dañados si el Producto no funciona correctamente.

**EN LA MEDIDA EN QUE LO PERMITA LA LEY APLICABLE, LA EMPRESA NO SERÁ RESPONSABLE ANTE USTED NI ANTE NADIE EN NOMBRE DE USTED POR CUALESQUIERA OTRAS OBLIGACIONES O RESPONSABILIDADES, INCLUYENDO, ENTRE OTRAS, LAS OBLIGACIONES O RESPONSABILIDADES DERIVADAS DEL INCUMPLIMIENTO DE CONTRATO O GARANTÍA, LA NEGLIGENCIA U OTRO PERJUICIO O CUALQUIER TEORÍA DE RESPONSABILIDAD ESTRICTA, CON RESPECTO AL PRODUCTO O A LOS ACTOS U OMISSIONES DE LA EMPRESA O CUALQUIER OTRA OBLIGACIÓN O RESPONSABILIDAD.**

Algunas jurisdicciones no permiten la exclusión o limitación de los daños incidentales o consecuentes, por lo que la limitación o exclusión anterior puede que no se aplique a usted. Esta garantía le otorga derechos legales específicos y puede que usted disponga de otros derechos que varían según la jurisdicción. Los descargos de responsabilidad, exclusiones y limitaciones de responsabilidad en virtud de esta garantía no se aplicarán en la medida en que los prohíba la ley aplicable.

Esta garantía sólo cubre la sustitución o reparación de los Productos defectuosos o de las piezas defectuosas de dichos Productos en las instalaciones principales de la Empresa, o en cualquier otra instalación que la Empresa pueda designar ocasionalmente, y no incluye los gastos de viaje ni de manutención, gastos que deberán ser divulgados y aceptados por usted de antemano.

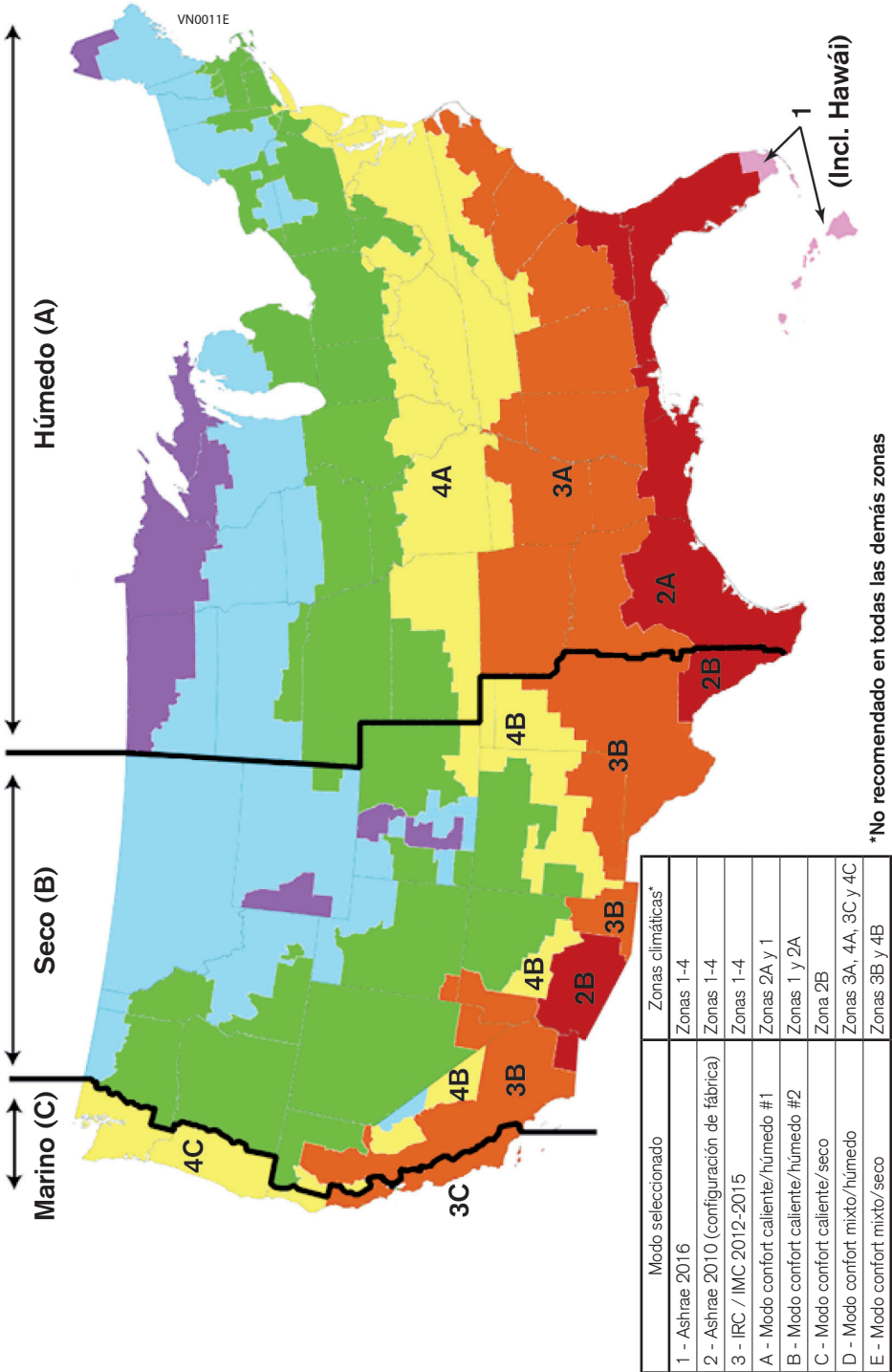
Cualquier asistencia que la Empresa le ofrezca o le facilite al margen de los términos, limitaciones o exclusiones de esta garantía limitada no constituirá una renuncia a tales términos, limitaciones o exclusiones, ni ampliará ni reactivará la garantía.

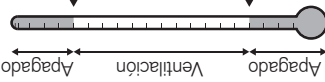
La Empresa no le reembolsará ningún gasto que usted haya tenido al reparar o sustituir un Producto defectuoso, excepto los gastos efectuados con el permiso previo y por escrito de la Empresa.

**Cómo obtener el servicio de garantía:** Para tener derecho a la garantía, debe usted: a) informar a la Empresa, a través de la dirección o teléfono que aparecen abajo, en un plazo de siete (7) días a partir del momento en que advierta el defecto cubierto; b) facilitar el número de modelo y el número de identificación de la pieza y c) describir el tipo de defecto en el Producto o pieza. En el momento de solicitar un servicio cubierto por la garantía, deberá presentar una prueba de la fecha de compra original. Si no puede presentar una copia de la garantía limitada escrita original, se aplicarán las condiciones de la garantía limitada escrita más reciente de la Empresa para su producto. La mayoría de las garantías limitadas escritas actuales para los productos de la Empresa se pueden encontrar en [www.broan.com](http://www.broan.com).

Broan-NuTone LLC, 926 West State Street, Hartford, WI 53027 800.558.1711

# 9. APÉNDICE A





Modo seleccionado	Sin señal del termostato		Señal de calefacción / refrigeración del termostato		Señal de calefacción / refrigeración del termostato	
	Lim. inf. (F)	Lim. sup. (F)	Lim. inf. (F)	Lim. sup. (F)	Lim. inf. (F)	Lim. sup. (F)
1	14	14	14	14	14	14
2	14	14	14	14	14	14
3	14	14	14	14	14	14
A	40	23	88	73	32	14
B	40	23	90	75	32	14
C	40	23	95	75	32	14
D	40	23	85	75	32	14
E	40	23	86	75	32	14

\*PR.: Punto rocío

**Modos de los códigos:**

- 1- ASHRAE 2016
- 2- ASHRAE 2010 (conf. de fábrica)
- 3- IRC / IMC 2012-2015

**Modos confort (Zonas climáticas):**

- A- Caliente/húmedo nº 1 (2A y 1)
- B- Caliente/húmedo nº 2 (1 y 2A)
- C- Caliente/seco (2B)
- D- Mixto/húmedo (3A, 4A, 3C y 4C)
- E- Mixto/seco (3B y 4B)

Según lo definido por el Departamento de Energía Consulte el mapa del apéndice A.

**Tabla de límites**

Modo seleccionado	Sin señal del termostato		Señal de calefacción / refrigeración del termostato		Señal de calefacción / refrigeración del termostato	
	Lim. inf. (F)	Lim. sup. (F)	Lim. inf. (F)	Lim. sup. (F)	Lim. inf. (F)	Lim. sup. (F)
1	14	14	14	14	14	14
2	14	14	14	14	14	14
3	14	14	14	14	14	14
A	40	23	88	73	32	14
B	40	23	90	75	32	14
C	40	23	95	75	32	14
D	40	23	85	75	32	14
E	40	23	86	75	32	14

\*PR.: Punto rocío

**Configuración**

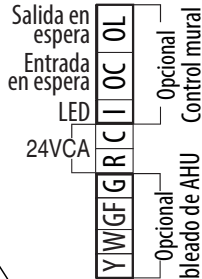
Velocidad seleccionada	130 o 180
Modo seleccionado	
% seleccionado	

**Código LED de estado**

Error del sensor	1 parpadeo	Error control mural	4 parpadeos
Error de la compuerta	2 parpadeos	Limpieza filtro	2 s. enc. / 2 s. apa.
		Modo aprendizaje	1 s. enc. / 10 s. apa.



Para restablecer el recordatorio de mantenimiento del filtro en el control mural, presione y mantenga presionado el botón durante 5 segundos.



Fresh In Premium

VE0412E