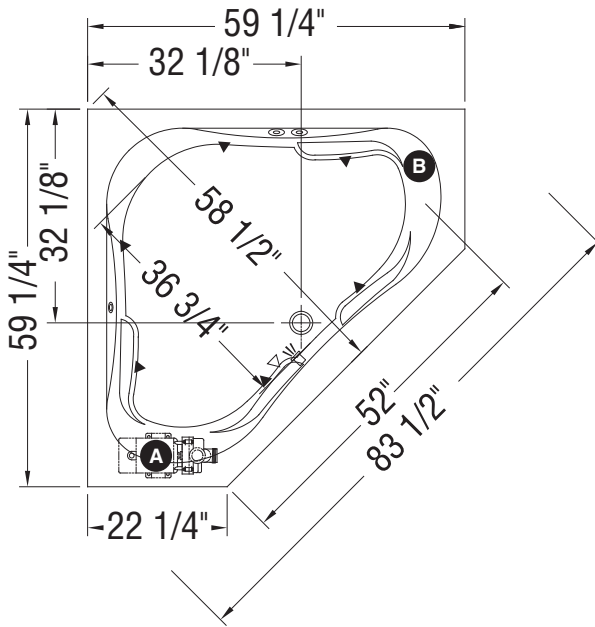
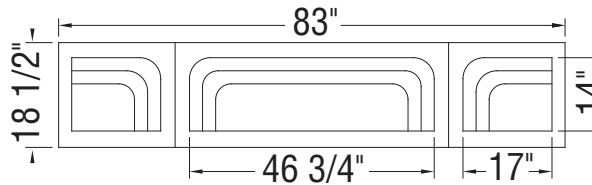
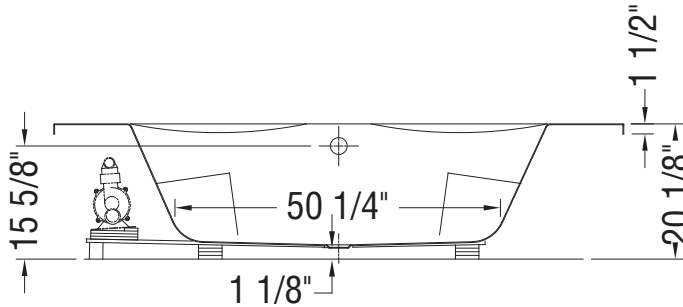
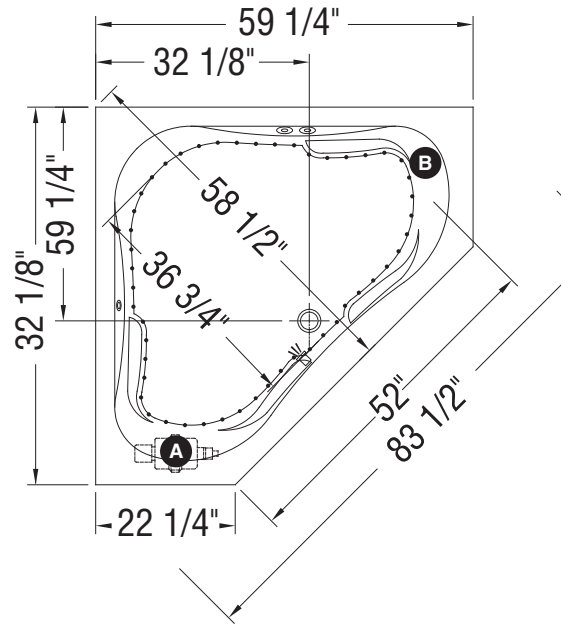


WHIRLPOOL SYSTEM



AIR SYSTEM



- (A) : Standard blower and/or pump location
- (B) : Optional blower and/or pump location
- (▲) : Indicates Whirlpool jets positioning
- (●) : Indicates airjets positioning
- (△) : Indicates suction positioning
- (⏏) : Indicates chromatherapy light positioning

All dimensions are approximate. Structure measurements must be verified against the unit to ensure proper fit.