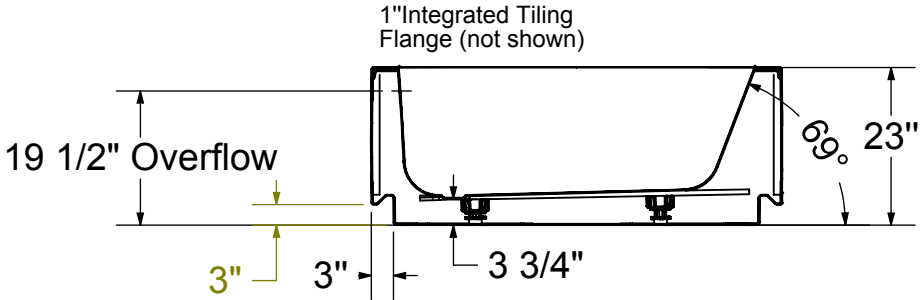
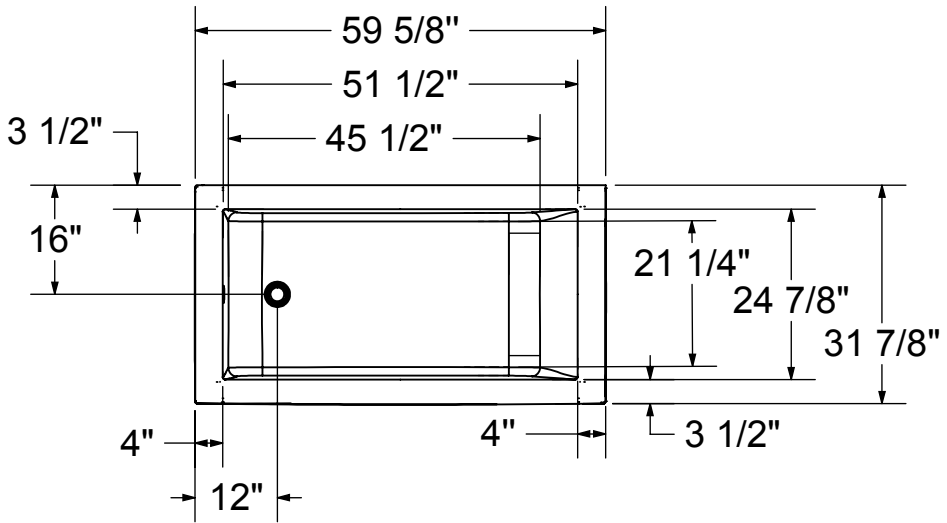


ModuIR BATHTUB: 60X32 WITHOUT ARMRESTS



This technical drawing is universal for all ModuIR bathtub configurations. (Left/Right Corner & Wall-mounted)

Integrated tiling flange: 1" height x 3/8" thick (not shown)  
Tiling flange position is determined by chosen configuration.

All dimensions are approximate. Structure measurements must be verified against the unit to ensure proper fit.