



MUSTEE
Preferred by the "Pros"

Wall-Mount, L-Shaped Fold-Down Leg Supported Seat Model 390.407 RH – 26" Long & 390.408 RH – 32" Long



Design features:

- White L-shaped cushion seat filled with high-resilience, high-density foam to maintain original shape.
- Smooth cushion edges without corded piping – eliminates discomfort for pressure-sensitive bathers.
- Fire and mildew resistant.
- When properly installed, wall-mount leg supported units can support up to 400 lbs.
- Rust-resistant stainless steel hardware.
- Easy to install and clean – cushion surface is stain resistant.

Code Accepted

CareGiver Fold Down wall-mount and leg supported shower seats meet or exceed performance requirements:

- American's with Disabilities Act (ADA)
- American National Standards Institute (ANSI) Specification: A117.16

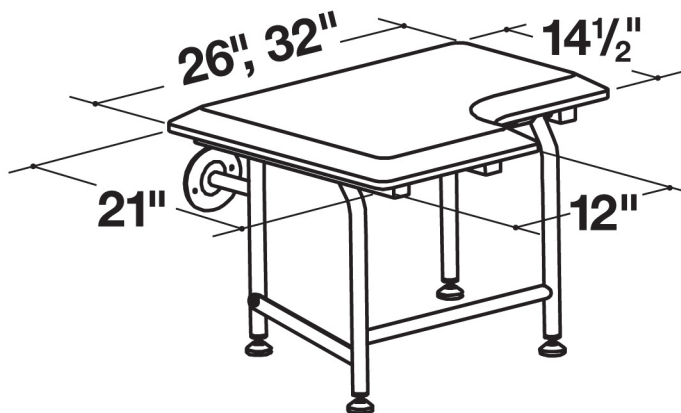
Specifications:

Model No.	Length	Style	Color	UPC
390.407	26"	RH	White	6 71031 00446 8
390.408	32"	RH	White	6 71031 00447 5

Model No.	Length	Width	Depth
390.407	26"	21"	14-1/2"
390.408	32"	21"	14-1/2"

RH= Right Hand

General: Furnish and install as shown on plans, L-Shaped Fold-down Wall Mounted RH Shower Seat mode: _____ (390.407, 390.408), _____" long, as provided by E.L. Mustee & Sons, Inc. Shower seat tubing shall be one-inch diameter, 19 gauge, type 304 stainless steel with #4 satin finish. Shall include a fold-down mechanism with four support legs. Mounting brackets shall be 12-gauge type 304 stainless steel. Padded vinyl cushion shall have 1-1/2" high density, Naugahyde. White cushion shall have no external piping. Shower seat unit shall comply with applicable building codes. Meets ANSI A117.1.



E.L. Mustee & Sons, Inc. • 5431 West 164th Street • Brook Park, OH 44142 • Phone: 216.267.3100 • Fax: 216.267.9997
E-mail: info@mustee.com • Web: www.mustee.com • Proudly made in the USA

Notice: Our continuous commitment to product improvement may result in changes to product specifications without notice. Patents pending. Made and Printed in U.S.A.