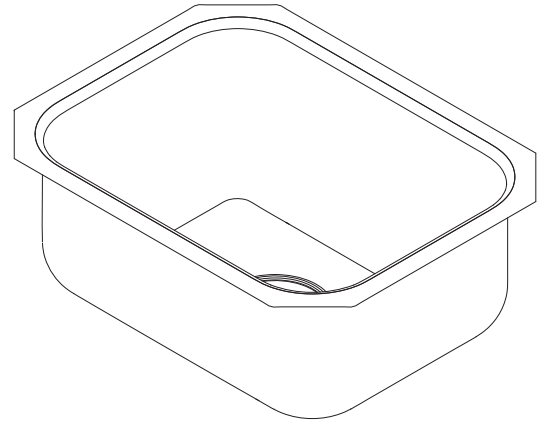


Model Number	Faucet Holes	Depth-Inches	Drain Placement
GS18440	N/A	8"	Center



### SINK DESCRIPTION

- 1800 Series single bowl undermount sink
- 18 gauge stainless steel, brushed finish
- Mounting brackets included, no other hardware included
- SoundSHIELD™ sound absorbing system

### WARRANTY

- Lifetime limited warranty to the original homeowner
- 10 year limited warranty when used in a Multi-family installation
- 5 year limited warranty when used in a Commercial installation
- Visit [www.moen.com/customer-support/warranty](http://www.moen.com/customer-support/warranty) for complete details and limitations

### SINK DIMENSIONS

- Overall: 16" x 20-1/2"
- Bowl: 13-1/2" x 18"
- Drain Size: 3-5/8"

### CUT OUT DIMENSIONS

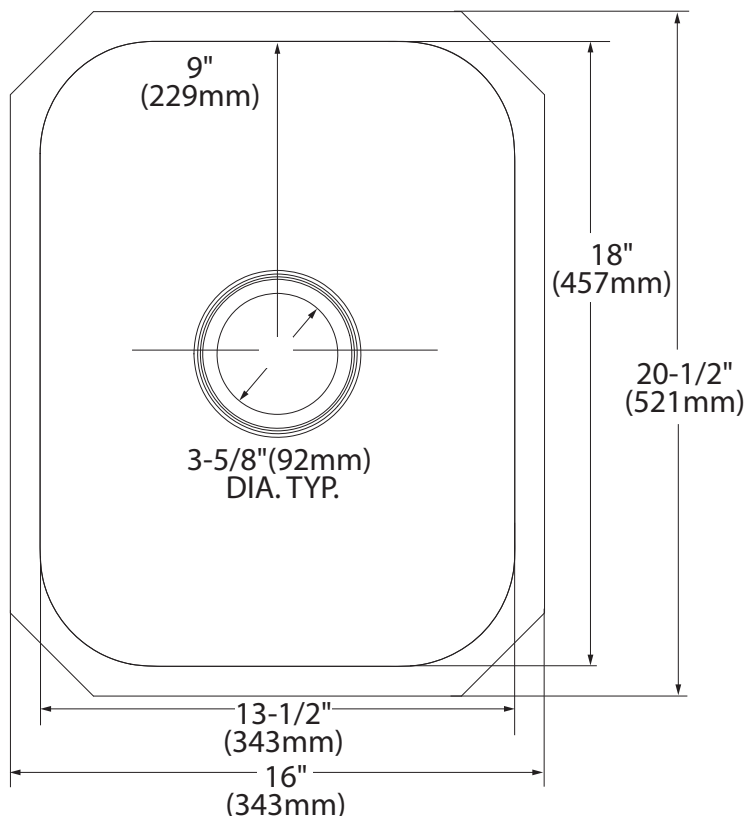
- Cut out template included

### STANDARDS

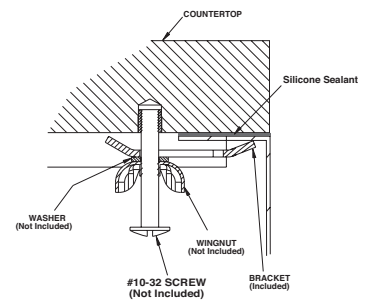
- Third party certified to meet ASME A112.19.3/CSA B45.4 and all applicable specifications referenced therein

### CRITICAL DIMENSIONS

(DO NOT SCALE)



### Installation Detail



MADE IN THE **USA**