

# Iso™ Technical Specification

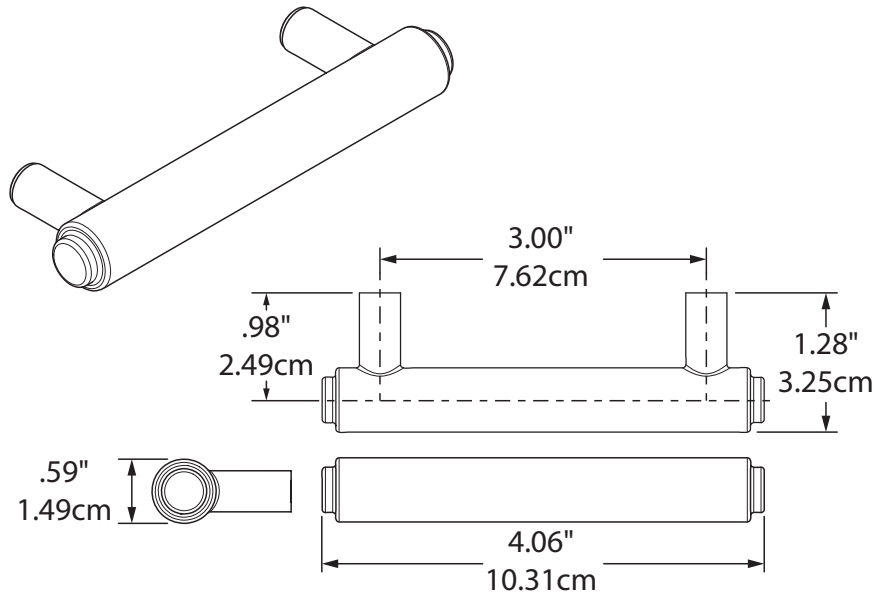
## Drawer Pull

# DN0707

### Stock Numbers:

- **DN0707BN – Cabinet Knob**  
Brushed Nickel Finish
- **DN0707CH – Cabinet Knob**  
Chrome Finish
- **DN0707BG – Cabinet Knob**  
Brushed Gold Finish
- **DN0707BL – Cabinet Knob**  
Matte Black Finish

### Dimensions:



### Materials:

Drawer Pulls are constructed of zinc.

### Installation Instructions:

1. Drawer Pulls will require two 3/16" holes.
2. The distance between holes is 3" on center.
3. Using a level, mark the location of the two holes.
4. Use a 3/16" drill bit to drill two holes.
5. Insert the screws into each hole.
6. Place a drawer pull over the screws.
7. Use a Phillips screwdriver to tighten screws.

### Cleaning Instructions:

To preserve the fine finish of this product, clean only with a soft damp cloth. Dry well. Do not use commercial or abrasive cleaners.

**Stock Number:** \_\_\_\_\_ **Drawer Pull**  
**By Moen Incorporated**

# MOEN®

25300 AL MOEN DRIVE • NORTH OLMSTED, OH 44070  
CORPORATE HEADQUARTERS: (800) 321-8809 • FAX: (800) 848-6636  
INTERNATIONAL: (440) 962-2000 • FAX: (440) 962-2726  
CUSTOMER SERVICE (USA): 800-882-0116 • FAX: (888) 379-2720  
WWW.MOEN.COM

© 2018 Moen Incorporated. Moen is a registered trademark and Iso is a trademark of Moen Incorporated. All rights reserved.