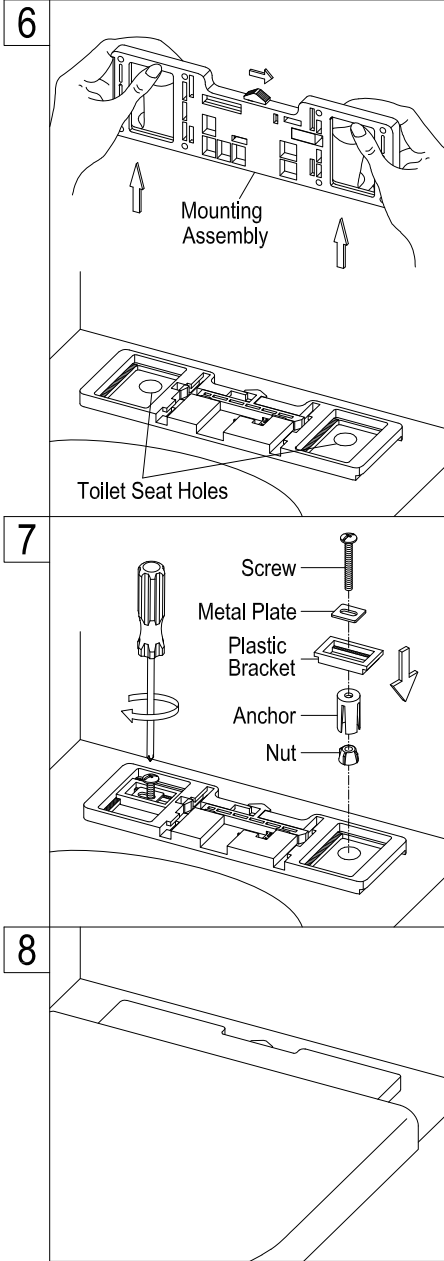


## Installation Toilet Seat Step :



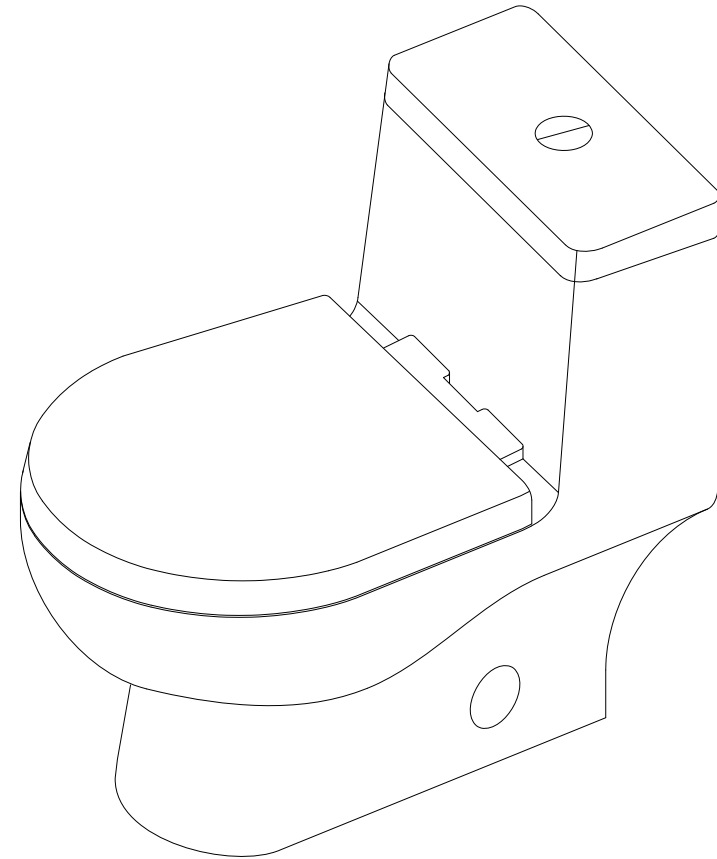
6. After removing the plastic wrapping, push the protruding tabs rightward while pulling upward on the mounting assembly, line up entire assembly with the toilet seat holes on top of the toilet.

7. Remove hardware package taped to the toilet seat cover, insert metal plate onto recessed cut-out on the plastic bracket attached, insert screw with plastic anchor attached into toilet seat hole on toilet and tighten using a phillips screwdriver.

8. Slide toilet cover evenly until it has fully covered the toilet seat assembly and test that it is fully locked by pulling on toilet seat cover, push to lock into place if necessary.

# KINGSTON

KITCHEN & BATH



[www.kingstonbrass.com](http://www.kingstonbrass.com)

TOLL-FREE CUSTOMER SERVICE: 1-877-2-KBRASS

TECHNICAL SUPPORT E-mail: [service@kingstonbrass.com](mailto:service@kingstonbrass.com)

12775 Reservoir Street, Chino, CA 91710

# KINGSTON

KITCHEN & BATH

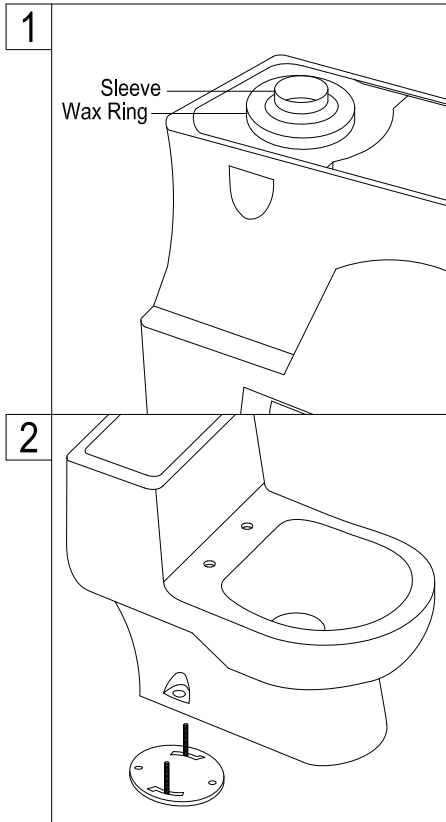
## INSTALLATION INSTRUCTIONS

### For Use Toilet

#### Remove Old Toilet :

1. Close water supply line to toilet
2. Flush toilet until most of the water is drained, with a rag soak up as much of the remaining water as possible.
3. Remove bolt caps and unthread nuts, remove toilet and T-Bolts cover opening with a rag to prevent debris or tools from falling inside the drain.
4. Scrape remnants of the old wax ring by scraping with a spatula.

#### Installation New Toilet Step :

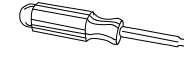


1. Set the bowl upside down on a soft surface Press the wax ring onto the toilet bottom outlet, remove the rag from the drain opening.
2. Carefully align the toilet with drain and lower making sure that T-Bolts protrude from holes of the bowl, apply firm and even pressure.

#### Need Tools:



Adjustable Wrench



Screwdriver



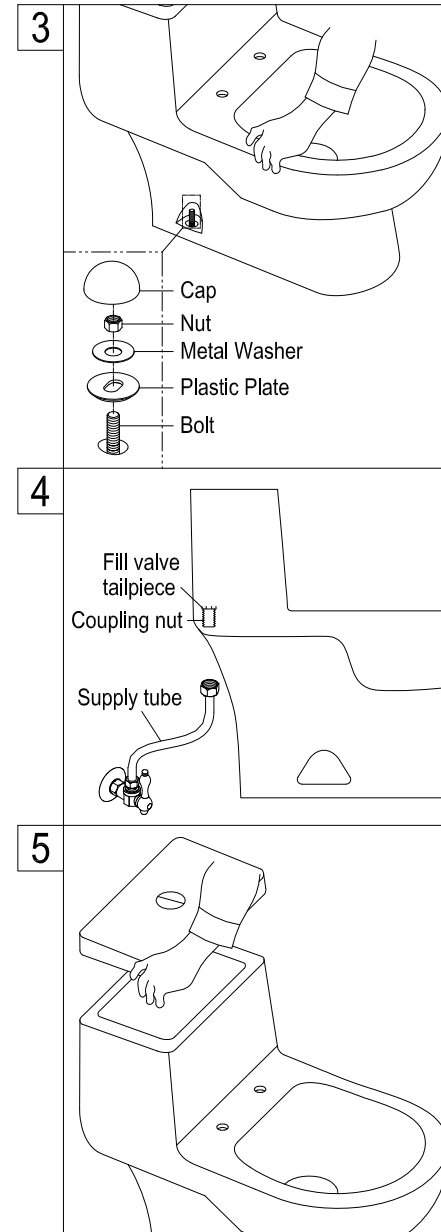
Teflon Tape



Plumber's Putty



Pencil



3. Insert bolt cap bases washers and nuts onto bolts.  
Tighten bolts, alternating from side to side, should be bolts impede the installation of the cap, cut excess bolt length and file the edges.  
Use the attached decorative covers to cover the side mounting holes on bowl.
4. Apply Teflon tape to toilet tank inlet and attach supply line.
5. Insert toilet flush button into the tank lid, from below, tighten the locknut, place toilet tank cover on top of toilet tank.