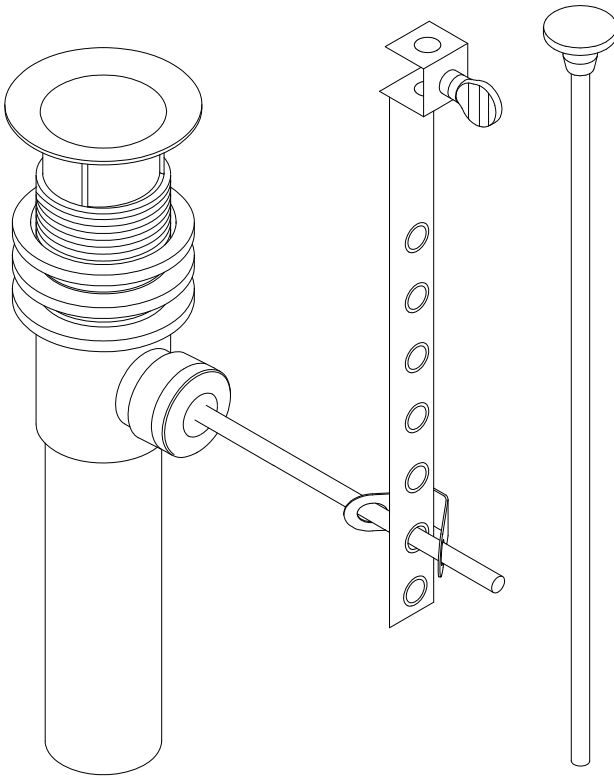


KINGSTON

KITCHEN & BATH



www.kingstonbrass.com

TOLL-FREE CUSTOMER SERVICE: 1-877-2-KBRASS

TECHNICAL SUPPORT E-mail: service@kingstonbrass.com

12775 Reservoir Street, Chino, CA 91710

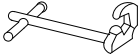
KINGSTON

KITCHEN & BATH

INSTALLATION INSTRUCTIONS

Brass Pop-Up

Need Tools:



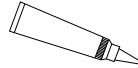
Basin Wrench



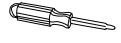
Adjustable Wrench



Teflon Tape



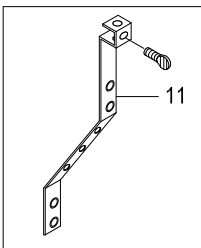
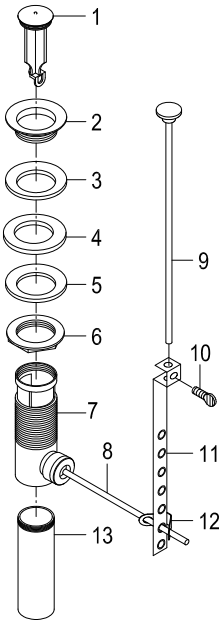
Silicone Sealant



Screwdriver

INSTALLATION:

1. Remove the flange (2), plug (1) and rubber washer (3) from the drain body (7).
2. Turn the locknut (6) downwardly to the lower position of drain body (7) and push plastic washer (5) and rubber gasket (4) down.
3. Insert drain body (7) upwardly with (4)/ (5)/ (6) parts and tailpiece (13) through the drain hole from the underside of sink. Position the side hole of drain body (7) toward the rear wall.
4. Insert rubber washer (3) back on the flange (2) then thread flange onto the top of the drain body (7), as an option you may use silicone based caulking instead of rubber washer (3) make sure to tighten securely as to prevent any water from leaking.
5. Move up rubber gasket (4), plastic washer (5) and tighten up the locknut (6) with a wrench until the rubber gasket (4) completely and tightly seal the drain hole beneath the sink.
6. Insert the plug (1) into the flange (2). Make sure its bottom hole is aligning with and the side with bottom hole is near the side hole of drain body (7).
7. Remove the nut from the side hole of drain body. Remove clip (12) and two plastic bushings from the ball rod (8).
8. Place one plastic bushing in the side hole with its concave surface facing out. Insert the short side of ball rod from the side hole and through the bottom hole of plug (1). Put the other plastic bushing and nut on the long side of ball rod. Make sure the concave surface of bushing facing to the ball. Tighten up the nut by hand.
9. Move the ball rod (8) up and down to test the plug can open and close smoothly.
10. Connect pop-up rod (9) and ball rod (8) with lift rod strap (11). Try and test the proper connection position and fix them by clip (12) and set screw (10) tightening.
11. Pull up the pop-up rod (9) to the close position of the plug (1), then turn on faucets to full fill water in the sink. Examine to make sure no water comes out from the drain body.
12. Push down the pop-up rod (9) to the open position of plug (1) to drain water. Examine to make sure no water leakage around the rubber gasket (4) or side hole of drain body. If leakage found, adjust the rubber gasket (4), re-tighten up the locknut (6) or the nut on side hole until no more leakage found.



PROBLEM

On my faucet drain, the horizontal rod on the drain does not reach the adjustment bar that comes down vertically, what can I do?

CORRECTIVE ACTION

Try bending the adjustment plate that comes down (11) from the pop-up rod, first move the plate as far down as possible then gently bend towards the drain at 45 degree angle, then another 45 degree angle bend down to facilitate the insertion of the horizontal pivot rod, in most cases this procedure will help you reach the horizontal pivot rod.