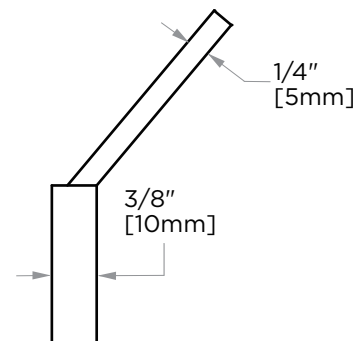
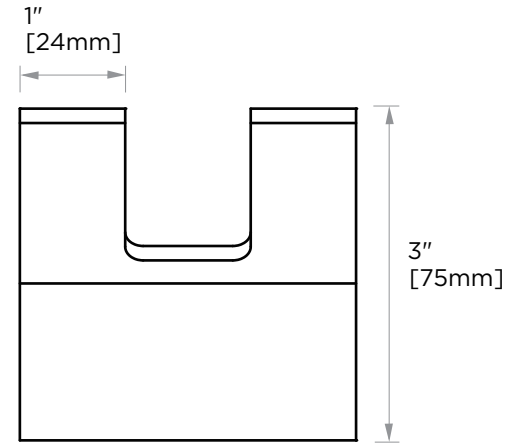
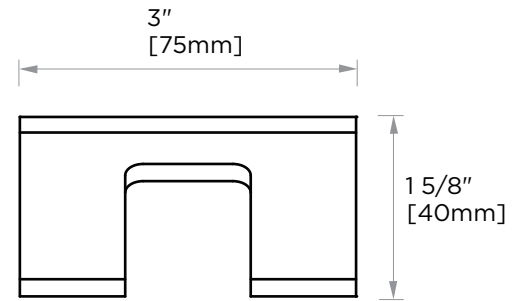
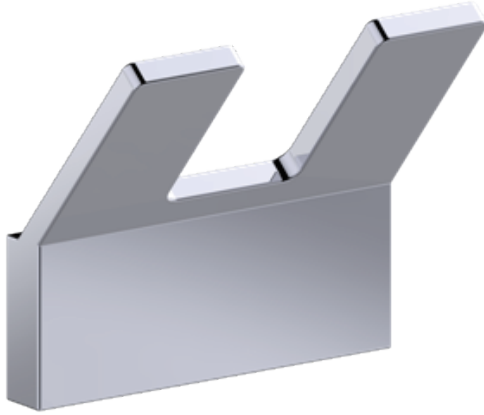


## COLOGNE COLLECTION

### DOUBLE COAT HOOK

255139-2



**PRODUCT NAME:** DOUBLE COAT HOOK

**PRODUCT CODE:** 255139-2

**MATERIAL:** All-brass construction

**KEY FEATURES:** Contemporary design with strong bold silhouette softened by the rounded corners and curved lines.

**STOCKED FINISHES:**

- Polished Chrome (99)
- Brushed Nickel (81)
- Polished Nickel (68)
- Matte Black (48)

**SPECIAL FINISHES AVAILABLE:** 26 options available. Please see our website for full list samples

**WARRANTY:**  
Lifetime Limited (Residential Use)  
One Year (Commercial Use)

NOTE: Dimensions and specifications are subject to change without notice.