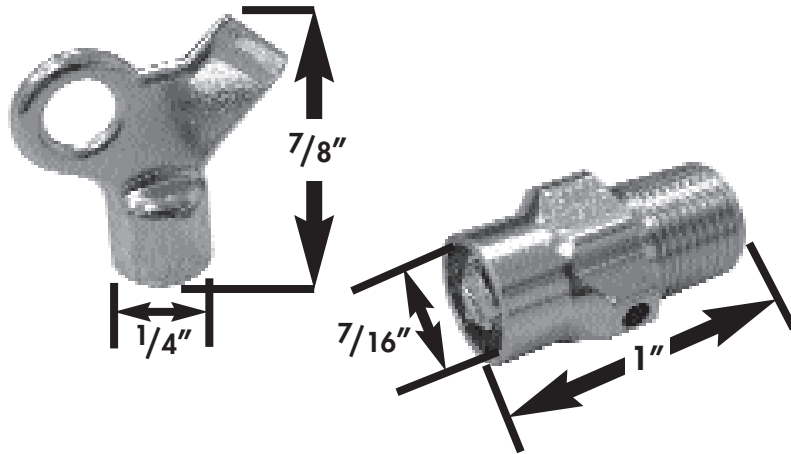


SPECIFICATION SUBMITTAL SHEET

j o n e s s t e p h e n s c o r p o r a t i o n

RADIATOR COIN KEY AIR VALVE AND KEY



| PART NO. | DESCRIPTION |
|----------------------------------|---------------------|
| <input type="checkbox"/> R20-001 | Vent valve with key |
| <input type="checkbox"/> R20-002 | Key only |
| <input type="checkbox"/> R20-003 | Valve only |

jones stephens corporation
3249 moody parkway • moody, alabama 35004
toll free phone: 1-800-355-6637 • toll free fax: 1-800-462-6991
www.plumbest.com