

Frescia Dark Grey Face Showerhead - 2.0 GPM

Model #: S138-2.0-



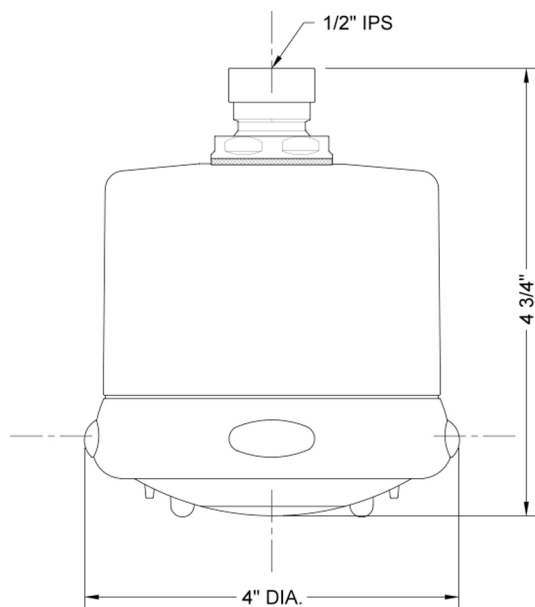
FEATURES:

- 4 function showerhead with 4" face
- 1/2" IPS adjustable brass ball joint to adjust angle of showerhead
- Rubber tabs on adjusting ring for easy grip, no slip adjustment of functions
- Ideal for use with 60° showerarms, 8041 & 8043
- Available flow rates: 2.5, 2.0, 1.75 & 1.5 GPM

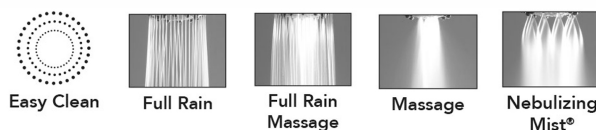
AVAILABLE FINISHES:

| | | |
|-------------------------|---------------------|-----------------------|
| Polished Chrome (PCH) | Satin Chrome (SC) | Bronze Umber (BU) |
| Satin Nickel (SN) | Pewter (PEW) | Caramel Bronze (CB) |
| Polished Nickel (PN) | Antique Brass (AB) | Antique Copper (ACU) |
| Oil-Rubbed Bronze (ORB) | Polished Brass (PB) | Polished Copper (PCU) |
| Vintage Bronze (VB) | Satin Brass (SB) | Rose Gold (RG) |
| Matte Black (MBK) | Satin Gold (SG) | Polished Gold (PG) |
| Black Nickel (BKN) | Satin Cooper (SCU) | |

SPECIFICATION DRAWING:



SPRAY PATTERNS:



COMPLIANCES:

CEC

Complies with: ASME A112.18.1-2012/CSA B125.1-12