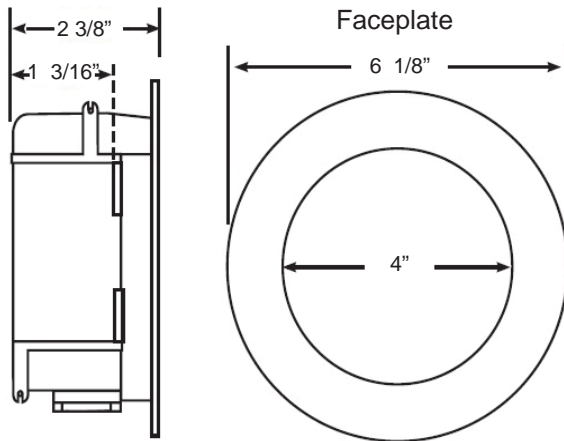
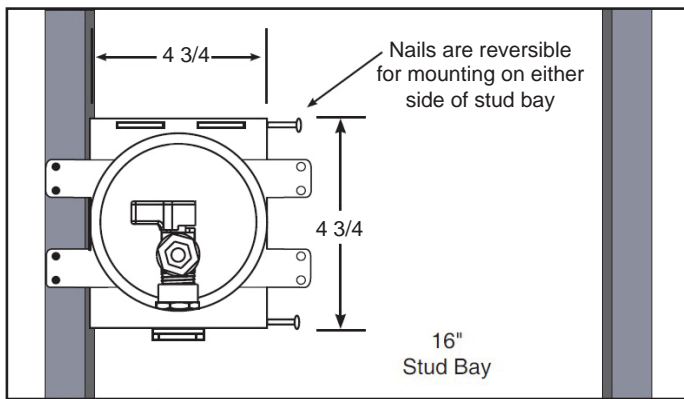


SPECIFICATION SUBMITTAL SHEET



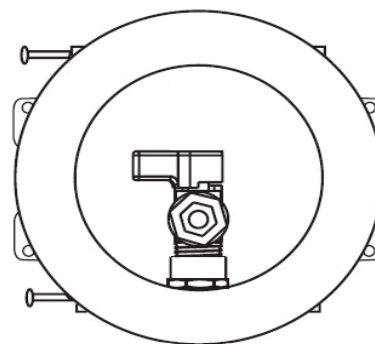
ROUND MINI ICE MAKER OUTLET BOXES with Preloaded Mounting Nails and Lead Free Valve



Specifications:

Furnish and install miniature round ice maker outlet box with preloaded mounting nails and lead free valve. Unit shall be Water-Tite product code as manufactured by IPS Corporation.

Note: Valve is for illustration purposes only.
Specific valve may vary.



Item #	Product Description	Model #	Quantity
87989	Mini Round 1/4 Turn Lead Free Valve - 1/2" Sweat Conx.	AB9200	10
87991	Mini Round 1/4 Turn Lead Free Valve - 1/2" Pex Conx.	AB9202	10
87993	Mini Round 1/4 Turn Lead Free Valve - 1/2" CPVC Conx.	AB9201	10
87995	Mini Round 1/4 Turn Lead Free Valve - 1/2" Wirsbo® Conx.	AB9211	10
Contractor Pack			
87990	Mini Round 1/4 Turn Lead Free Valve - 1/2" Sweat Conx. - Cont. Pack	AB9200CP	20
87992	Mini Round 1/4 Turn Lead Free Valve - 1/2" Pex Conx. - Cont. Pack	AB9202CP	20
87994	Mini Round 1/4 Turn Lead Free Valve - 1/2" CPVC Conx. - Cont. Pack	AB9201CP	20
87996	Mini Round 1/4 Turn Valve - 1/2" Wirsbo® Conx. - Cont. Pack	AB9211CP	20

