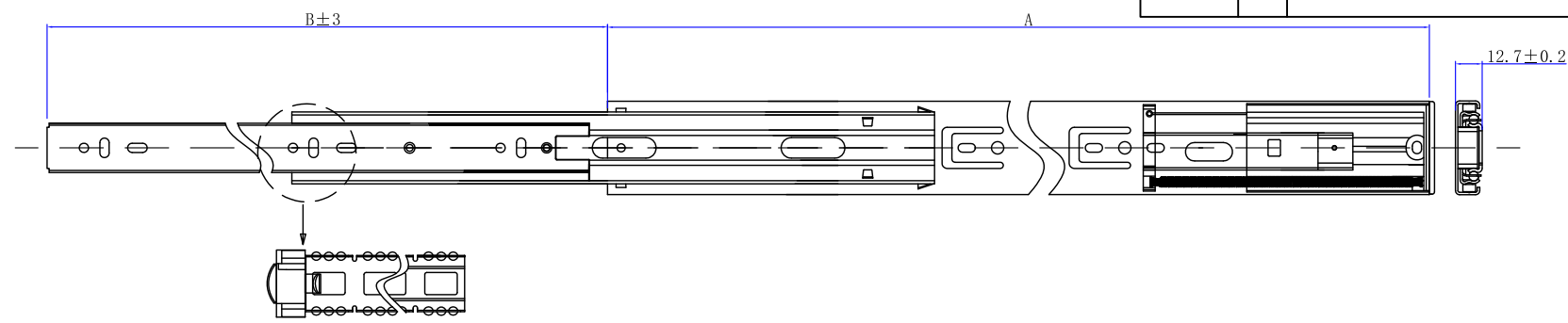


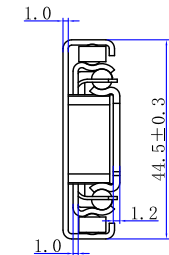
THE INFORMATION CONTAINED IN THIS DRAWING IS THE SOLE PROPERTY OF HARDWARE RESOURCES INC. ANY REPRODUCTION IN PART OR AS A WHOLE WITHOUT THE WRITTEN PREMISSION OF HARDWARE RESOURCES INC. IS PROHIBITED.

REVISIONS

ECO	REV	DESCRIPTION	DATE	APPROVED



28"	700	704	268	12	27N	20KG
26"	650	654	235	11	27N	20KG
24"	600	604	213	10	27N	20KG
22"	550	554	192	9	25N	25KG
20"	500	504	162	8	25N	25KG
18"	450	454	142	7	25N	28KG
16"	400	404	127	5	23N	25KG
14"	350	350	113	4	23N	20KG
12"	300	288	80	3	23N	18KG
Size	A	B	Ball Strip	Frame (PCS)	Tension (Each) $\pm 2N$	Load test 50000Times
DIM.	0~3mm	3~10mm	10~30mm	30~	MARK	REV.
Tolerance	$\pm 0.05mm$	$\pm 0.10mm$	$\pm 0.3mm$	$\pm 0.5mm$	DESCRIPTION	BY



UNLESS OTHERWISE SPECIFIED DIM ARE IN MILLIMETERS (mm)

GENERAL TOLERANCES	
0.00 - 14.99	± 0.10
15.00 - 39.99	± 0.20
40.00 - 74.99	± 0.30
75.00 - 99.99	± 0.45
100.00 - 199.99	± 0.70
200.00 - 299.99	± 1.00
300.00 -	± 1.10
ANGLE	± 1.0

THIRD ANGLE PROJECTION	
MATERIAL	FINISH
DRAWN BY	DATE
DESIGNED BY	DATE
APPROVED BY	DATE

hardware resources

TITLE: Full Extension Soft Close Ball Bearing Slide

DRAWING NUMBER: 303FUSFT

SIZE: A3

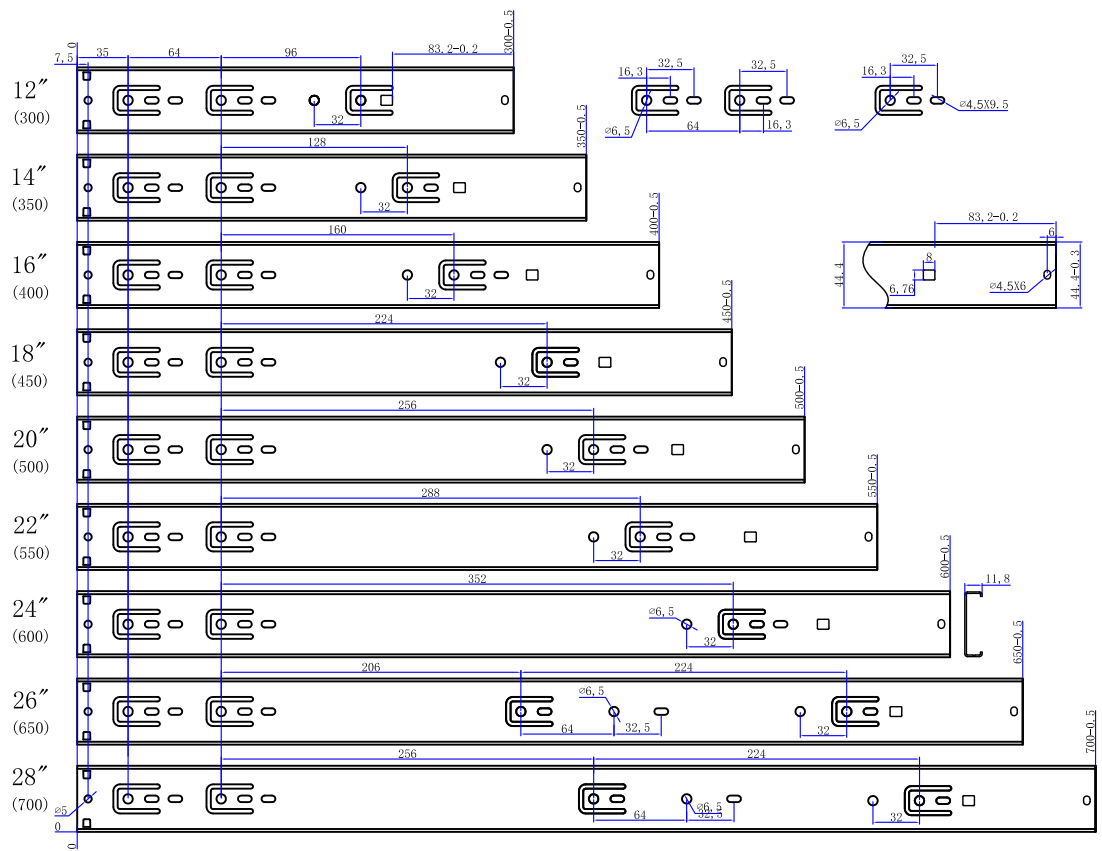
SCALE: 1:1

SHEET: 1 OF 3

THE INFORMATION CONTAINED IN THIS DRAWING IS THE SOLE PROPERTY OF HARDWARE RESOURCES INC. ANY REPRODUCTION IN PART OR AS A WHOLE WITHOUT THE WRITTEN PERMISSION OF HARDWARE RESOURCES INC. IS PROHIBITED.

R E V I S I O N S

ECO	REV	DESCRIPTION	DATE	APPROVED



DIM.	0 ~ 3mm	3 ~ 10mm	10 ~ 30mm	30 ~
Tolerance	$\pm 0.05\text{mm}$	$\pm 0.10\text{mm}$	$\pm 0.3\text{mm}$	$\pm 0.5\text{mm}$

UNLESS OTHERWISE SPECIFIED DIM ARE IN MILLIMETERS (mm)	
GENERAL TOLERANCES	
0.00 - 14.99	± 0.10
15.00 - 39.99	± 0.20
40.00 - 74.99	± 0.30
75.00 - 99.99	± 0.45
100.00 - 199.99	± 0.70
200.00 - 299.99	± 1.00
300.00 -	± 1.10
ANGLE	± 1.0

THIRD ANGLE PROJECTION	
MATERIAL	FINISH
DRAWN BY	DATE
<i>Peter Wen</i>	14-11-03
DESIGNED BY	DATE
APPROVED BY	DATE

hardware resources

TITLE

Full Extension Soft Close Ball Bearing Slide

DRAWING NUMBER: 303FUSFT

REV: proi_re vision

SIZE: A3

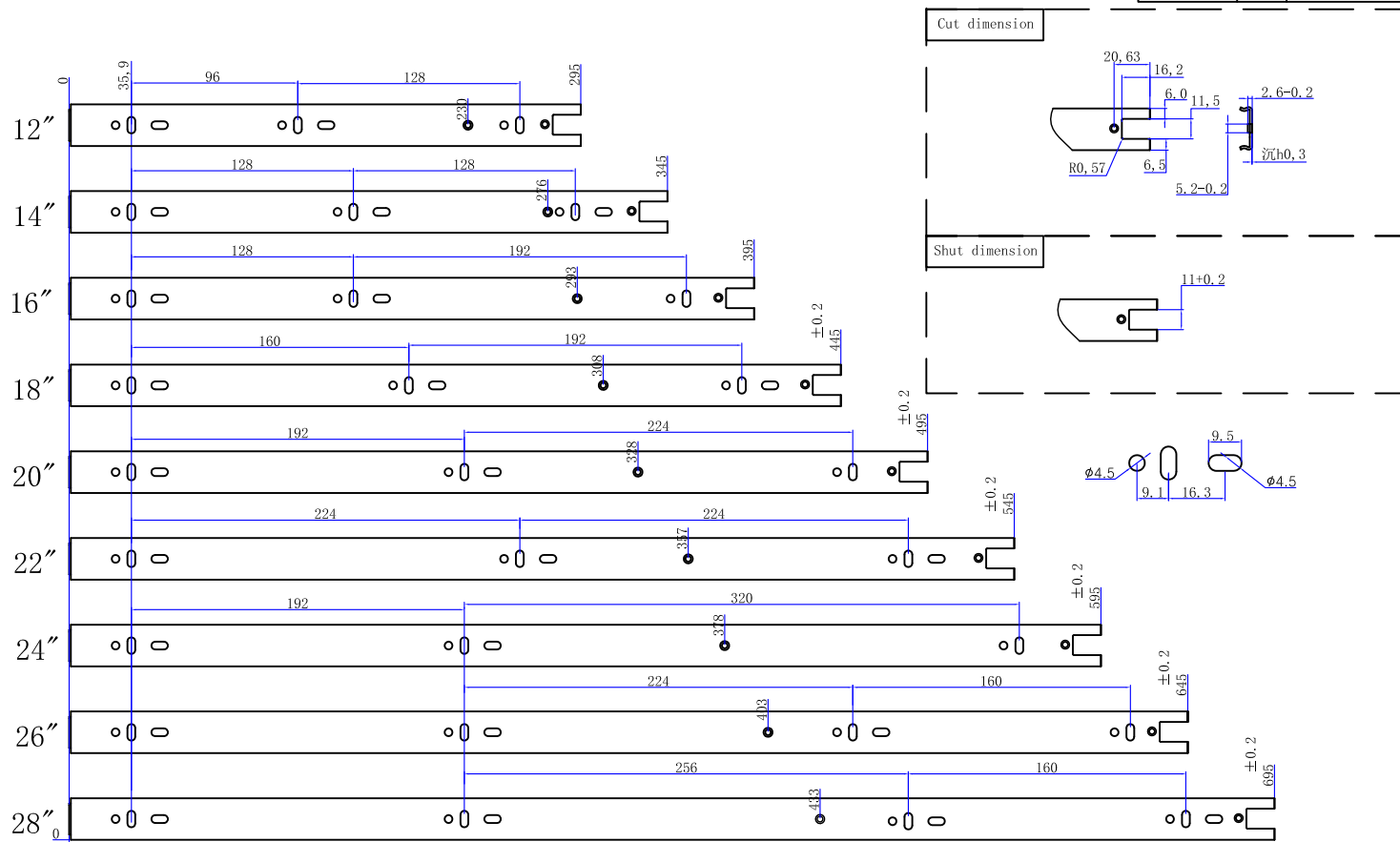
RELEASE LEVEL: 1:1

SHEET: 2 OF 3

THE INFORMATION CONTAINED IN THIS DRAWING IS THE SOLE PROPERTY OF HARDWARE RESOURCES INC. ANY REPRODUCTION IN PART OR AS A WHOLE WITHOUT THE WRITTEN PERMISSION OF HARDWARE RESOURCES INC. IS PROHIBITED.

REVISIONS

ECO	REV	DESCRIPTION	DATE	APPROVED



DIM.	0 ~ 3mm	3 ~ 10mm	10 ~ 30mm	30 ~
Tolerance	±0.05mm	±0.10mm	±0.3mm	±0.5mm

UNLESS OTHERWISE SPECIFIED DIM ARE IN MILLIMETERS (mm)

GENERAL TOLERANCES	
0.00 - 14.99	±0.10
15.00 - 39.99	±0.20
40.00 - 74.99	±0.30
75.00 - 99.99	±0.45
100.00 - 199.99	±0.70
200.00 - 299.99	±1.00
300.00 -	±1.10
ANGLE	±1.0

THIRD ANGLE PROJECTION	
MATERIAL	FINISH
DRAWN BY	DATE
Peter Wen	14-11-03
DESIGNED BY	DATE
APPROVED BY	DATE

hardware resources

TITLE

Full Extension Soft Close Ball Bearing Slide

DRAWING NUMBER: 303FUSFT

REV: proi_revision

SIZE: A3

RELEASE LEVEL: 1:1

SHEET: 3 OF 3