

Submitted Model No.: \_\_\_\_\_  
 Specific Features: \_\_\_\_\_



see what Delta can do™

## KITCHEN FAUCETS

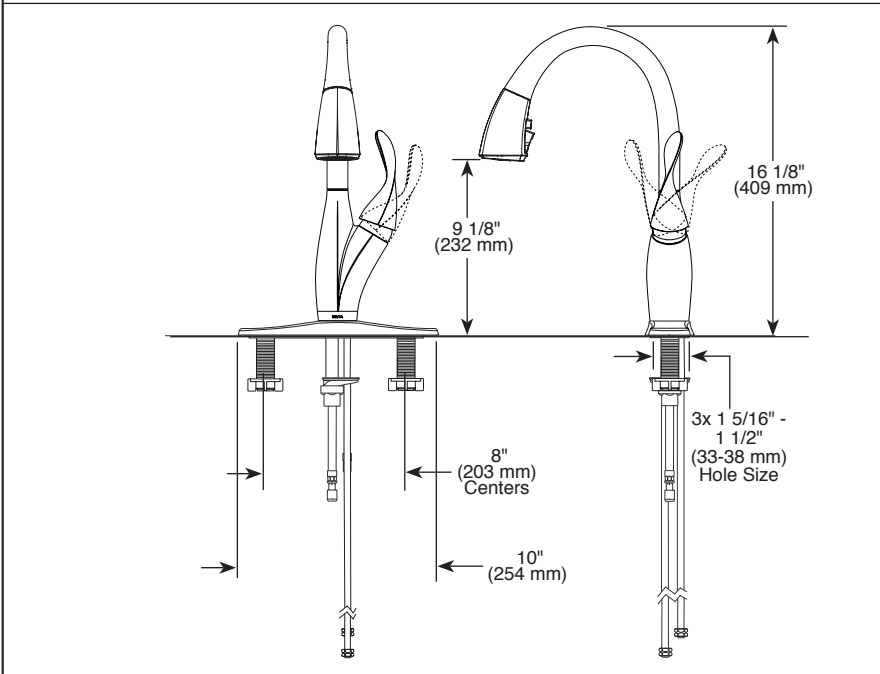
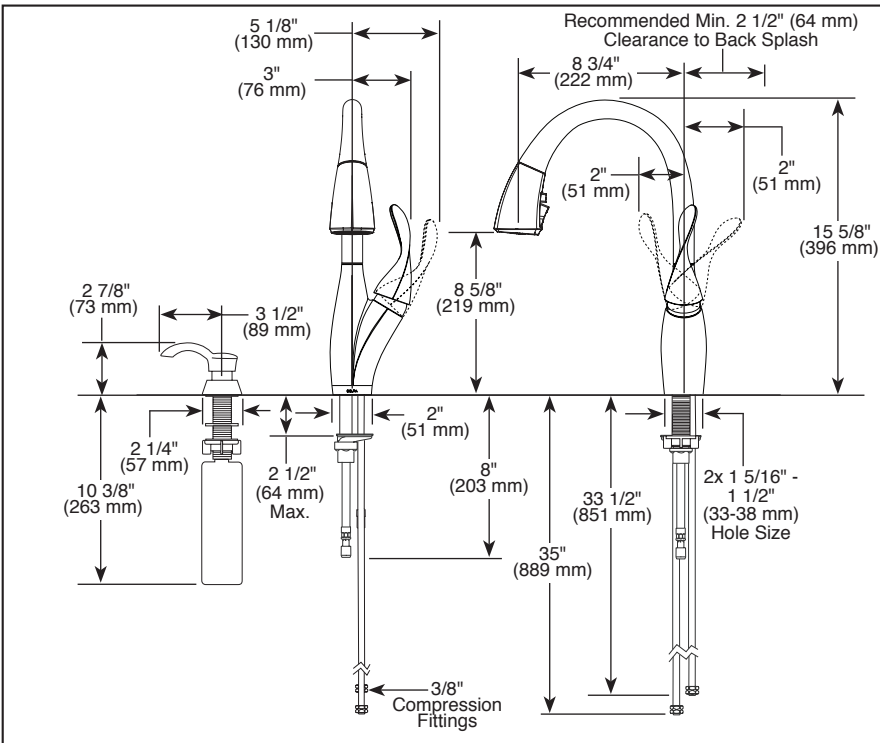
- Berkley® Pull-Down Collection
- Single Handle Deck Mount
- Soap Dispenser
- Integrated Supply Tubes

### FEATURES:

- DIAMOND Seal® Technology
- Touch-Clean® Sprayhead
- ShieldSpray™ Technology

### STANDARD SPECIFICATIONS:

- Max flow rate 1.8 gpm @ 60 psi, 6.8 L/min @ 414 kPa
- One, two, three or four hole mount (optional escutcheon, included)
- 3/8" O.D. straight, staggered PEX supply tubes
- Spout rotates 360°
- Diamond coated ceramic cartridge
- Quick connect hoses
- Red/Blue indicator markings
- Magnetic docking system secures sprayer to spout
- Integral double check valves in sprayer assembly
- Integral hose lead to aid installation
- Mounting wrench to assist in tightening mounting nut securely
- Hose travels inside mounting shank so it will not interfere with deck edges
- Keyed 10" (254 mm) escutcheon to help alignment and aid installation




▲ Designate proper finish suffix

### WARRANTY

- Parts and Finish - Lifetime limited warranty; or for commercial purchasers, 10 years for multi-family residential (apartments and condominiums) and 5 years for all other commercial uses, in each case from the date of purchase.
- Electronic Parts and Batteries (if applicable) - 5 years from the date of purchase; or for commercial purchasers, 1 year from the date of purchase. No warranty is provided on batteries.

### COMPLIES WITH:

- ASME A112.18.1 / CSA B125.1
- ASME A112.18.6
-  Indicates compliance to ICC/ANSI A117.1
- Verified compliant with .25% weighted average Pb content regulations.

Delta reserves the right (1) to make changes in specifications and materials, and (2) to change or discontinue models, both without notice or obligation. Dimensions are for reference only. See current full-line price book or [www.deltafaucet.com](http://www.deltafaucet.com) for finish options and product availability.