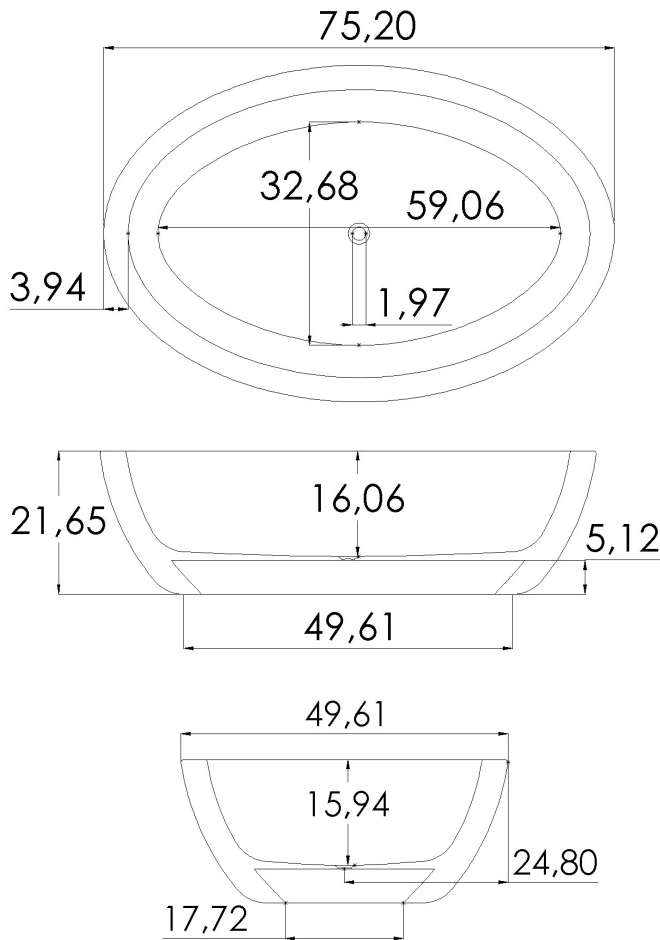


## SPECIFICATIONS

Matte Finish item# 10DW106

Gloss Finish item# 10DG106



TOP VIEW



FRONT VIEW



SIDE VIEW

### Recommended Tub Drain for Internal Overflow

Chrome finish [11CC500]

Matte White finish [11CW500]



### Suggested Basin

GRACELYN

15TW104



**Dimensions :** LWH 75" x 49" x 22"  
**Waste to floor :** 5"  
**Water Capacity :** 72 gallons  
**Edge / Rim width :** 4"  
**Waste diameter :** 2"  
**Weight :** 286 lbs

**Overflow :** Internal Overflow included  
**Max Water :** 15" to overflow  
**Material :** 100% DADOquartz  
**Color :** White  
**Finish :** Gloss or Matte  
**Warranty :** Lifetime