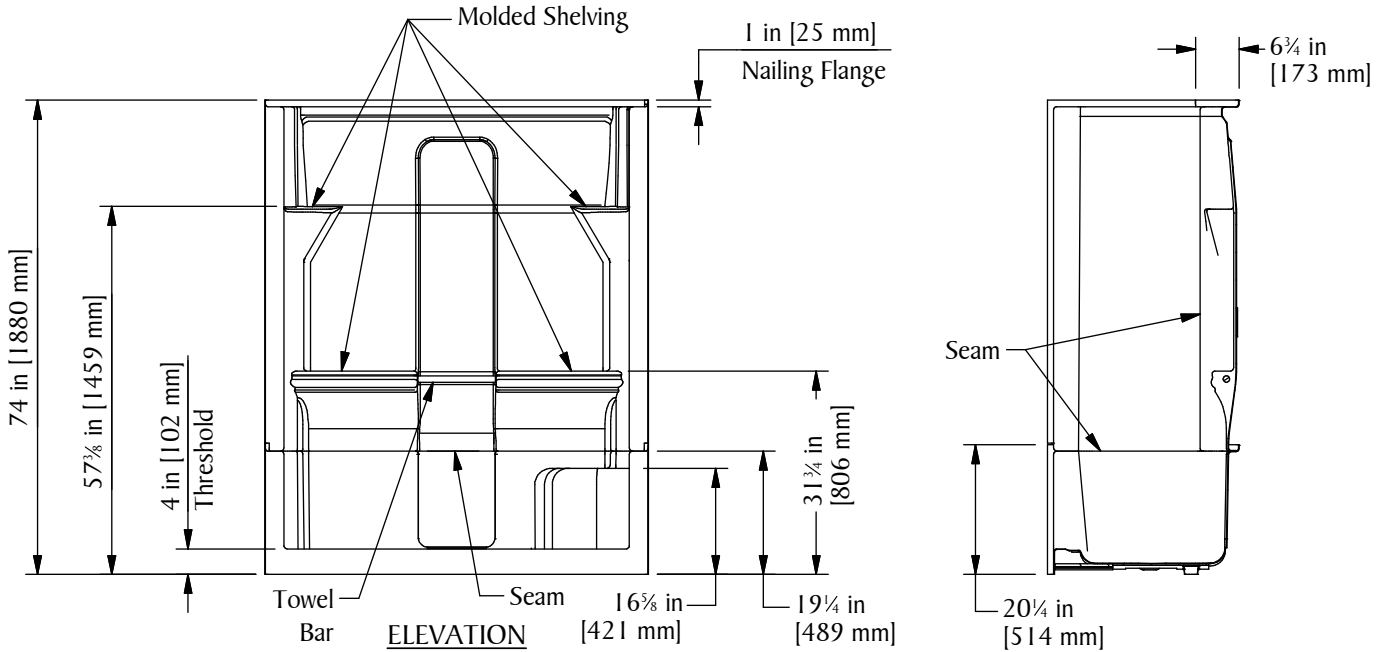
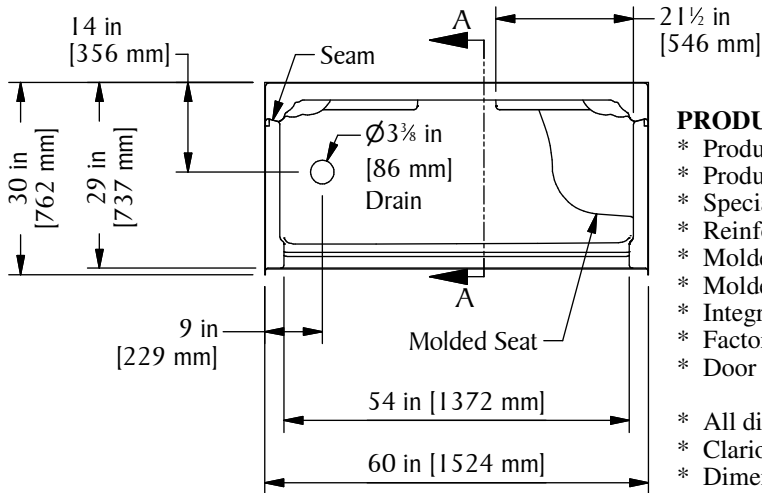


Quantum Series



SECTION A-A



PLAN

60" [1524mm] 4-Piece Shower  
w/ 4" [102mm] Threshold, Molded Shelving,  
& Molded Seat

Left Hand Version (4S40LT/S) Shown

4MS40LT/S or 4MS40RT/S

60" [1524mm] 4-Piece Shower w/ 4" [102mm] Threshold, Left or Right Hand Drain, Molded Shelving & Seat

**PRODUCT SPECIFICATIONS:**

- \* Product complies with NAHB, HUD UM-73A, and ANSI-Z124.1.2.
- \* Product has a Class B fire rating as determined by ASTM E-84 test method.
- \* Special installation instructions for this unit must be followed carefully.
- \* Reinforced & slip resistant floor.
- \* Molded shelving on back wall.
- \* Molded seat approx. 12"W x 16"D x 15"H (opposite of valve wall).
- \* Integral 1" [25mm] nailing flange.
- \* Factory Drilled 1" [25mm] acrylic towel bar
- \* Door Opening: W-53 3/4" [1365mm]  
H-68" [1727mm]
- \* All dimensions +/- 1/2" [12.8mm]
- \* Clarion Bathware reserves the right to change design and/or dimensions.
- \* Dimensions are the same for all other versions of this model.  
Which include 4S40LT/S or 4S40RT/S

**Clarion**  
BATHWARE  
44 Amsler Ave.  
Shippensburg, PA 16254

Phone: (814) 226-5374  
Toll Free: (800) 576-9228  
Fax: (814) 226-0730  
www.clarionbathware.com

Signatures For Approval:

Customer: \_\_\_\_\_  
Arch./Engr: \_\_\_\_\_

Date: \_\_\_\_\_

Quote #: \_\_\_\_\_  
Job Name: \_\_\_\_\_

DWG. #  
4MS40LTS or RTS  
-CUT

Dwg. By: NMH  
Date: 7/20/2018