

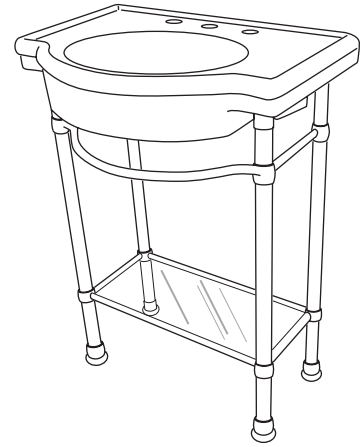
American Standard

ASSEMBLY & INSTALLATION INSTRUCTIONS

RETROSPECT® CONSOLE TABLE

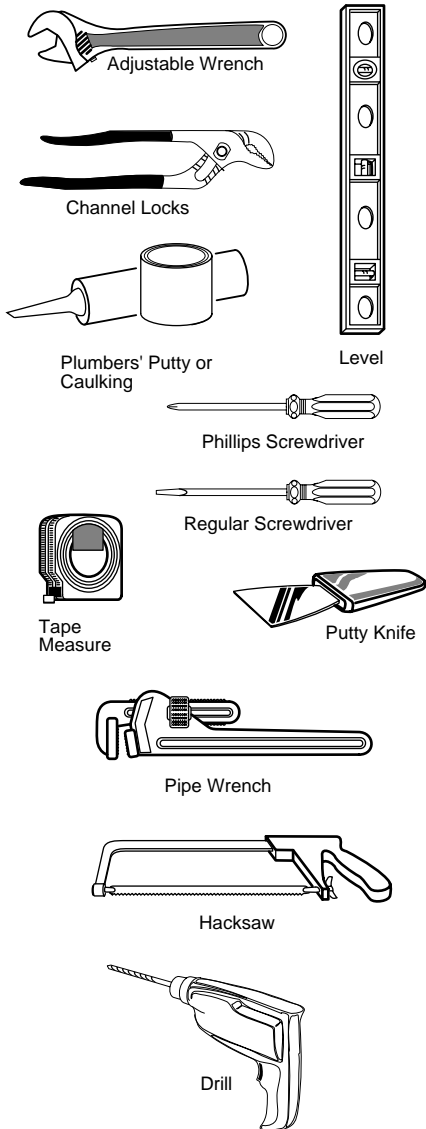
7812.002

7812.295



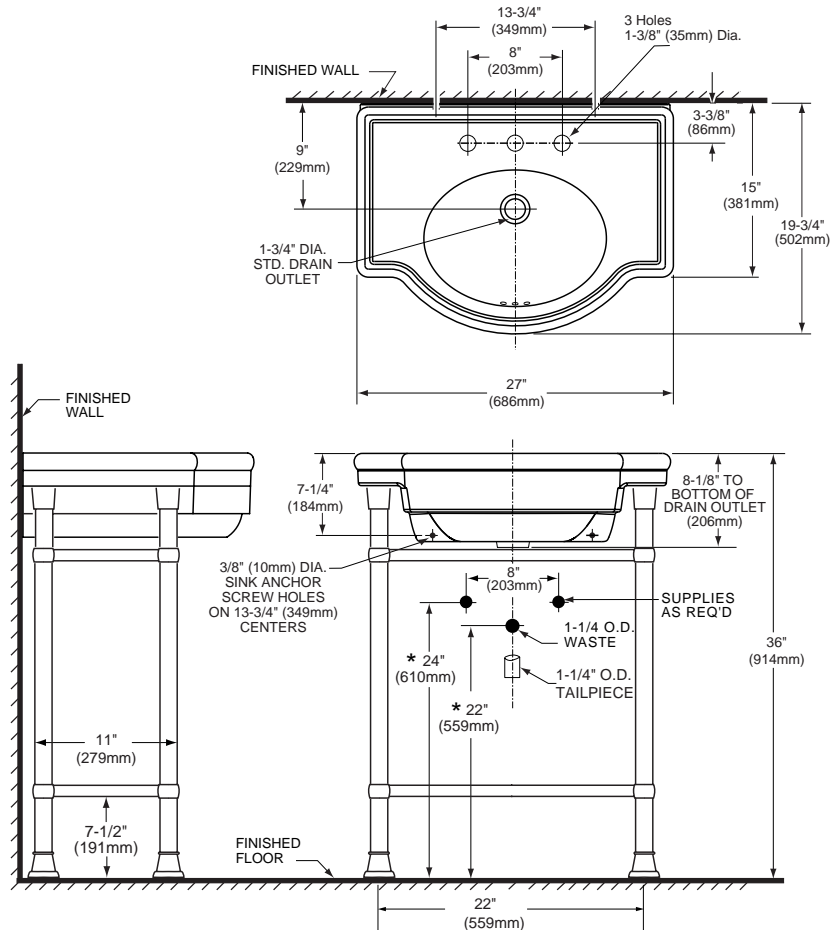
Thank you for selecting our products...products which have been the benchmarks of fine quality for over 100 years. To help insure that the installation process will proceed smoothly, please read these instructions carefully before you begin. Also, review the recommended tools and materials list; carefully unpack and examine your new plumbing fixture.

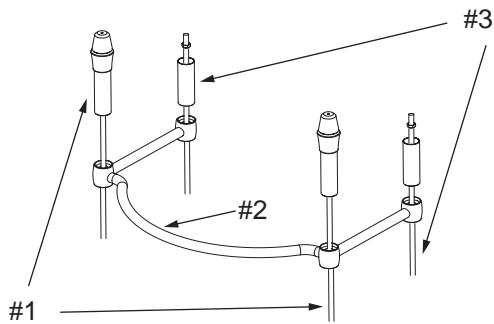
Recommended Tools & Materials



0282.008
8711.000.002
8711.000.295

RETROSPECT® CONSOLE PEDESTAL TOP
CONSOLE TABLE LEGS (Chrome)
CONSOLE TABLE LEGS (Satin)

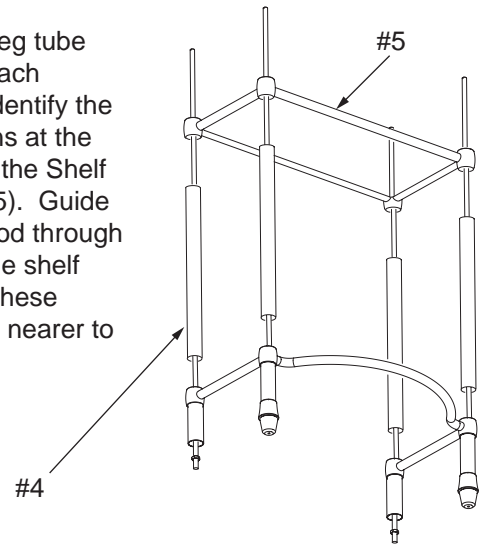
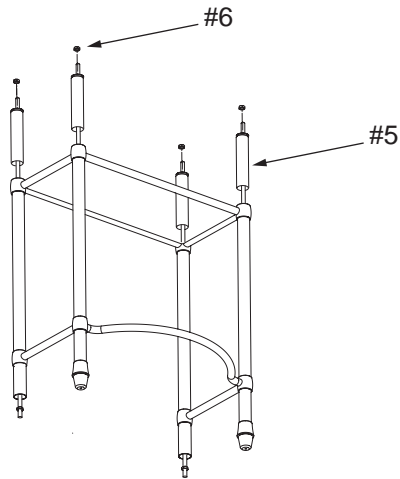


1

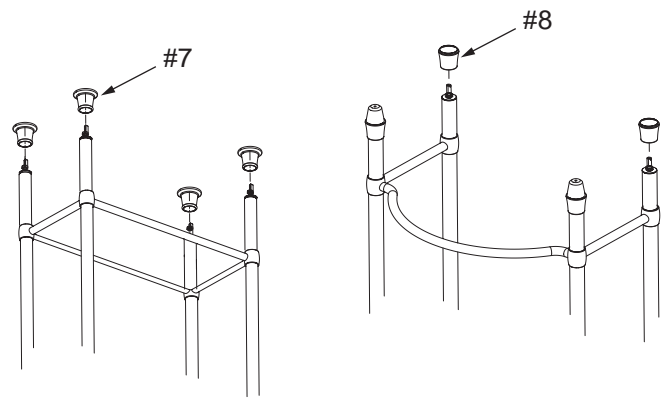
Run the two front leg sub-assemblies (Item #1) through the two front holes of the towel bar (Item #2). Do the same with the two rear leg assemblies (Item #3). Adjust the hex nut at the end of each rear leg such that 5/8" of thread is exposed. **Turn the unit upside down.**

2

Place a middle leg tube (Item #4) over each threaded rod. Identify the shelf support pins at the inner corners of the Shelf Support (Item #5). Guide each threaded rod through the corners of the shelf support so that these support pins are nearer to you.

**3**

Place a bottom leg tube (Item #5) over each threaded rod such that the closed end of each is nearer to you. Thread one hex nut from the kit (Item #6) onto each rod. Lay the unit down and tighten each of the four legs firmly. Maintain the 5/8" of exposed thread at the top end of the rear legs. Once again, set the unit upside down.

4

Thread one decorative foot (Item #7) onto the end of each rod until the leading end of the rod is recessed with the foot to a depth of 1/4". **Set the unit upright** and thread one leveling trumpet (Item #8) on the top of the rear legs.

Note: To prevent breakage, put the rectangular glass shelf in place only after the sink and console legs are completely assembled and the sink has been bolted to the wall.

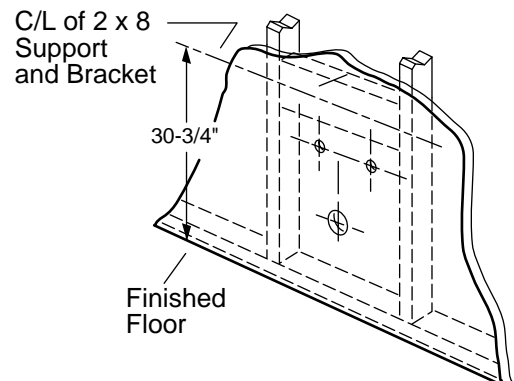
Upon completion of console assembly, follow installation procedure below.

SINK AND CONSOLE TABLE LEG INSTALLATION

1

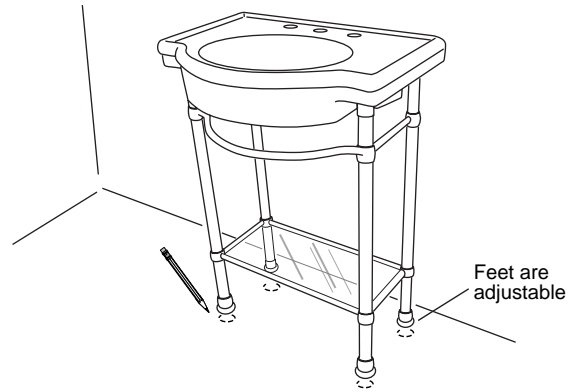
Note: If replacing an existing sink be certain to shut off water supply before removing old sink. If installing in a new bathroom follow rough-in diagram to locate rough supply, waste lines.

Provide suitable reinforcement behind finished wall for sink hanger screws. For an installed sink height of 36", center the reinforcement 29" above the floor.

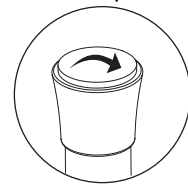


2

- 1) Move console table legs into approximate position near the wall.
- 2) Place sink on console, aligning the rubber grommets on the top of the front legs with the recesses in the underside of the front of the sink.
- 3) Place a level on the shelf support and use the four independently adjustable console feet to level the assembly both side-to-side and front-to-back.
- 4) Place the level on the sink and use the two independently adjustable trumpets on the tops of the rear legs to level the sink.
- 5) Move the assembly into contact with the wall.
- 6) With a pencil, mark through the center of the two mounting holes found on the back of the sink.
- 7) Move the assembly well clear of the wall.
- 8) Drill two pilot holes at the center marks using a 1/4" bit. Bore in 1" deep.
- 9) Thread the two 5/16" headless hanger screws into the pilot holes leaving 1-7/8" thread exposed in front of the wall.

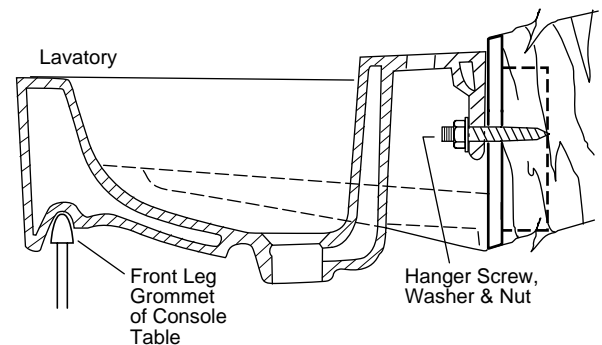


Rear Leg
Adjustment
Bumper

**3**

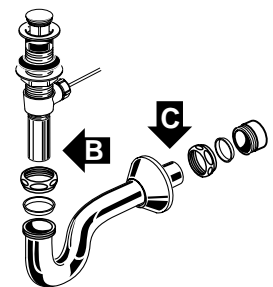
Following manufacturer's instructions, install faucet and drain assembly (not included) in sink. Be certain to apply a bead of sealing putty on the underside of the drain to ensure a watertight seal between the sink and the drain. Remove excess putty immediately after tightening drain.

Move the assembly back toward the wall, guiding the sink over the two headless hanger screws. Place washers over studs and firmly hand-tighten nuts onto each.

**4**

Connect the trap to drain assembly hand tight to check alignment. It may be necessary to cut off part of the tailpiece (area "B") or part of the horizontal leg of the trap (area "C").

Connect hot and cold supplies lines between the fitting valve and the supply shut-off valves. Tighten trap joints for watertight assembly. Apply a bead of caulk around the back edge of the sink where it contacts the wall. Insert the rectangular glass shelf onto the shelf support. Remove protective film from glass shelf.



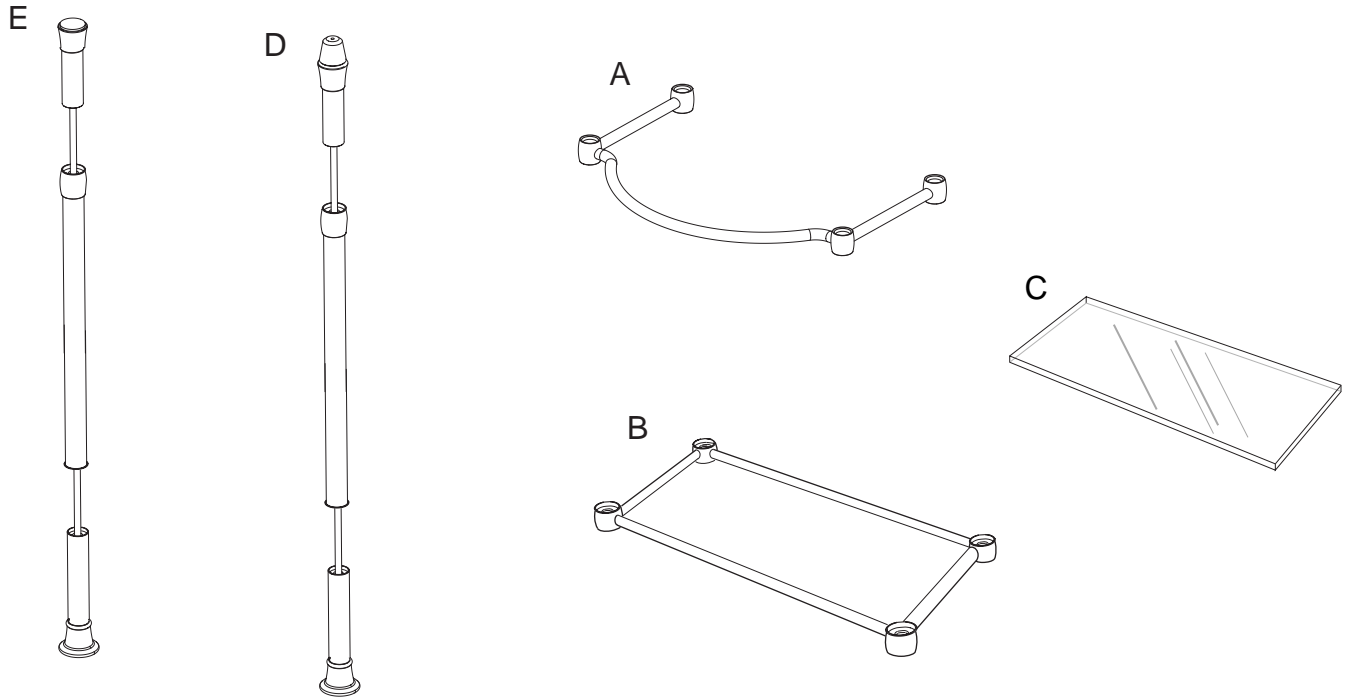
8711 CONSOLE TABLE LEGS COMPONENTS LIST

Note: "XXX" represents color or trim finish options. Specify when ordering.

ITEM #	PART NO.	PACKED QTY.	DESCRIPTION
A	738728-XXX0A	1	Towel Bar
B	738729-XXX0A	1	Shelf Support
C	738730-0070A	1	Glass Shelf
D	738744-XXX0A	1	Front Leg Assembly
E	738743-XXX0A	1	Rear Leg Assembly
F	738879-0070A	2	Front Leg Grommet Kit
G	738739-0070A	4	Hex Nut Kit #238

For chrome, replace "XXX" with 002 when ordering.

For satin, replace "XXX" with 295 when ordering.



CONSOLE CARE INSTRUCTIONS: Rinse the product clean with clear water. Dry with a soft cotton flannel cloth.

DO NOT: Clean with soaps, acid, polish, abrasives, harsh cleaners, or a cloth with coarse surface.

AMERICAN STANDARD ONE-YEAR LIMITED WARRANTY

If inspection of this American Standard plumbing product, within one year after its initial purchase, confirms that it is defective in materials or workmanship, American Standard will repair or, at its option, exchange the product for a similar model.

This warranty **does not apply** to local building code compliance. Since local building codes vary considerably, the purchaser of this product should check with a local building or plumbing contractor to insure local code compliance before installation.

This warranty **shall be void** if the product has been moved from its initial place of installation; if it has been subjected to faulty maintenance, abuse, misuse, accident or other damage; if it was not installed in accordance with American Standard's instructions; or if it has been modified in a manner inconsistent with the product as shipped by American Standard.

American Standard's option to repair or exchange the product under this warranty does not cover any labor or other costs of removal or installation, **nor shall American Standard be responsible for any other incidental or consequential damages attributable to a product defect or to the repair or exchange of a defective product, all of which are expressly excluded from this warranty.** (Some states or provinces do not allow the exclusion or limitation of implied warranties, so this exclusion may not apply to you.)

This warranty gives you specific legal rights. You may have other statutory rights that vary from state to state or from province to province, in which case this warranty does not affect such statutory rights.

For service under this warranty, it is suggested that a claim be made through the contractor or dealer from or through whom the product was purchased, or that a service request (including a description of the product model and of the defect) be sent to the following address:

In the United States:
 American Standard Inc.
 P.O. Box 6820
 Piscataway, New Jersey 08855
 Attention: Director of Consumer Affairs

For residents of the United States, warranty information may also be obtained by calling the following toll free number: (800) 442-1902
www.AmericanStandard-US.com

In Canada:
 American Standard
 2480 Stanfield Rd.
 Mississauga, Ontario
 Canada L4Y 1S2
 Toll Free: (800) 387-0369
www.AmericanStandard.ca

In Mexico:
 Customer Service Manager
 Ideal Standard, S.A. de C.V.
 Via Morelos #330
 Col. Santa Clara
 Ecatepec 55540 Edo. Mexico
www.AmericanStandard.com.mx