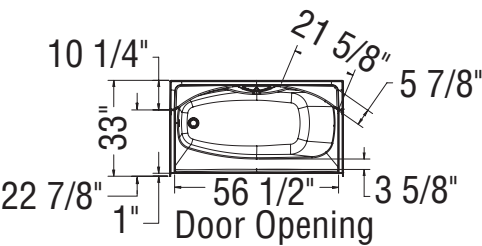
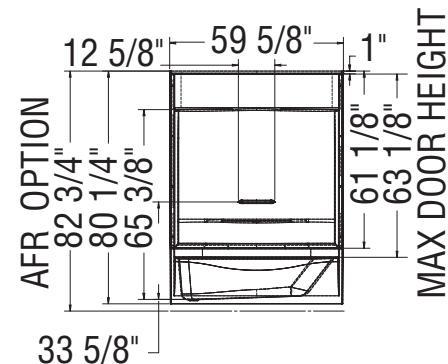


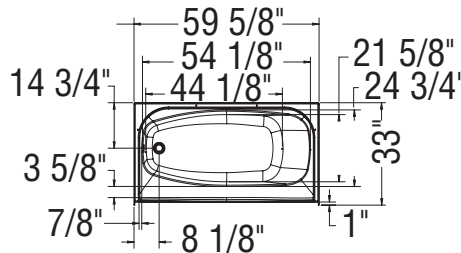
STANDARD



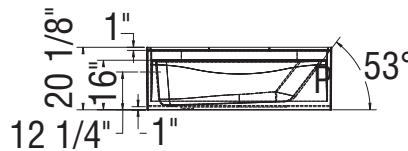
Door Opening



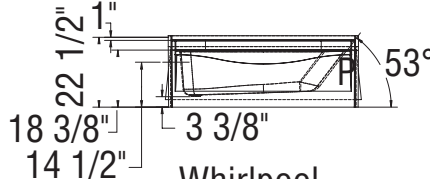
NO SYSTEM



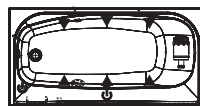
NOT ABOVE-THE-FLOOR



ABOVE-THE-FLOOR

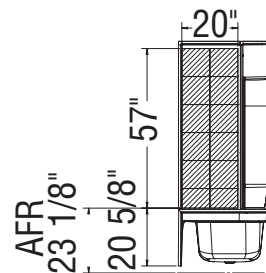


Whirlpool

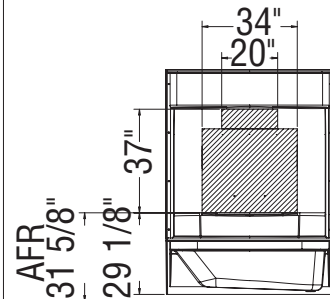


REINFORCEMENT BACKING

OPTION 20212-L Shown
OPTION 20212-R Symetrical

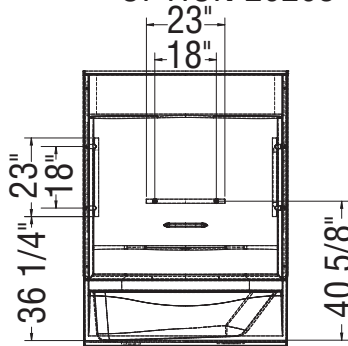


OPTION 20212-B

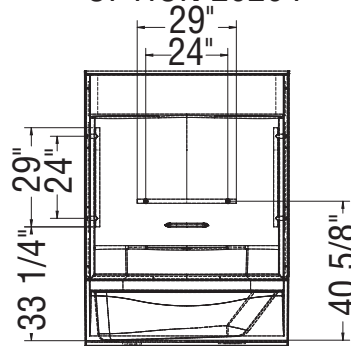


GRAB BARS

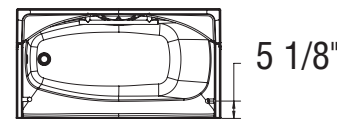
OPTION 20203



OPTION 20204



OPTION 20203-20204



(▲): Indicates Whirlpool jets positioning

(△): Indicates suction positioning

All dimensions are approximate. Structure measurements must be verified against the unit to ensure proper fit.