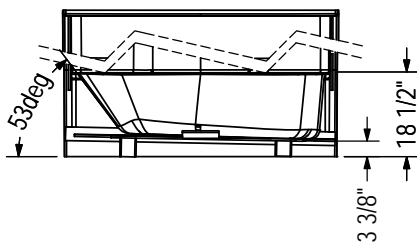
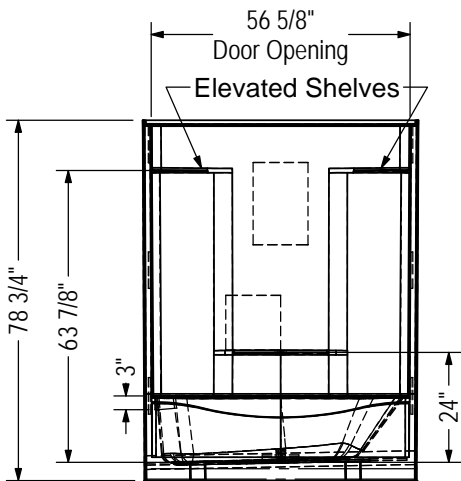
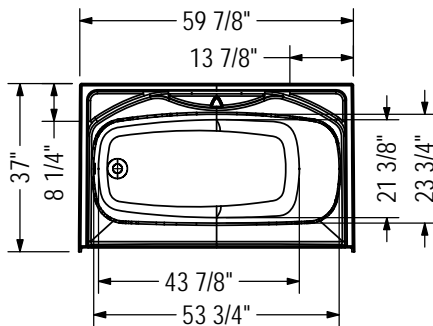
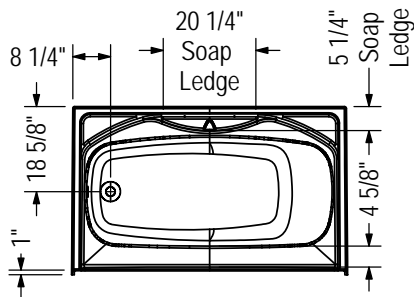
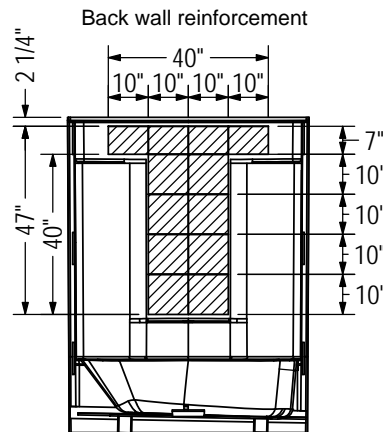
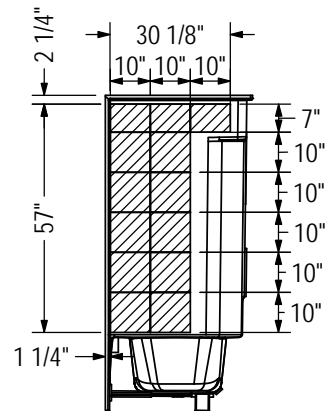


STANDARD



REINFORCEMENT BACKING
 Right wall reinforcement shown
 Left wall reinforcement symmetrical



All dimensions are approximate. Structure measurements must be verified against the unit to ensure proper fit.

Vue iso
Iso View
Scale 1:36

