



OPS-3636-RS RRF TRANSFER SHOWER  
**ADA COMPLIANT**

**SUBMITTAL SHEET**  
**ADA STANDARDS FOR ACCESSIBLE DESIGN**  
 FHA, CSA B45.5-11 / IAPMO Z124-2011, HUD UM 73a, ASTM F-462

**TO COMPLETE YOUR ORDER, THIS DOCUMENT MUST BE SIGNED AND FAXED TO AKER ORDER DESK**  
**FAX: (304) 263-8369 • PHONE: 1-800-962-2537**

DATE:	JOB NAME:
CUSTOMER:	QUOTE#:
SHIP TO:	
P.O. #:	PHONE:
QUANTITY:	SPECIAL NOTES:
/ /	/ /
PLUMBING CONTRACTOR APPROVAL <span style="float: right;">DATE</span>	GENERAL CONTRACTOR APPROVAL <span style="float: right;">DATE</span>
/ /	/ /
ENGINEER APPROVAL <span style="float: right;">DATE</span>	ARCHITECT APPROVAL <span style="float: right;">DATE</span>

**IMPORTANT NOTES:**

1. MAAX assumes no responsibility for final code compliance. Information and specifications taken from this document must be confirmed with appropriate authorities.
2. Units are code compliant when fully equipped and installed according to guidelines.
3. Due to possible water leaks between the threshold of the shower and the curtain, MAAX recommends the installation of a floor drain outside the unit.

<b>INTERIOR DIMENSIONS</b>	36" L x 36" W x 76 5/8" H
<b>EXTERIOR DIMENSIONS</b>	44 1/4" L x 38" W x 78 3/8" H
<b>SKIRT HEIGHT</b>	3/4"
<b>THRESHOLD HEIGHT</b>	1/2"
<b>WEIGHT</b>	162 LB
<b>MATERIAL</b>	ACRYLX
<b>WARRANTY</b>	RESIDENTIAL: LIMITED LIFETIME COMMERCIAL: 30 YEARS

**STANDARD FEATURES**

- 1-piece transfer shower
- Reinforced according to Fair Housing Act accessibility requirements
- Center drain
- Textured bottom
- Available in standard and non-standard colors

**COMPLIANT PACKAGE**

Fully equipped - ADA compliant

**Base model with complete ADA package**

- 1 x Horizontal L-shaped 34 3/8" x 18" textured stainless steel grab bar
- L-Shaped fold-up Phenolic white seat
- Chrome pressure balance mixing valve with hand-held shower
- Chrome 24" slide bar & 60" flexible hose

**Specify colors**

White    Bone    Biscuit

Non-standard color: \_\_\_\_\_

**Options**

- 36" Chrome curtain rod (factory-installed)
- Chrome recessed soap dish (drilled, not installed)

**Accessories (sold separately)**

- Solid Brass drain with Chrome plated stainless steel grid
- 36" White vinyl shower curtain with stainless steel hooks

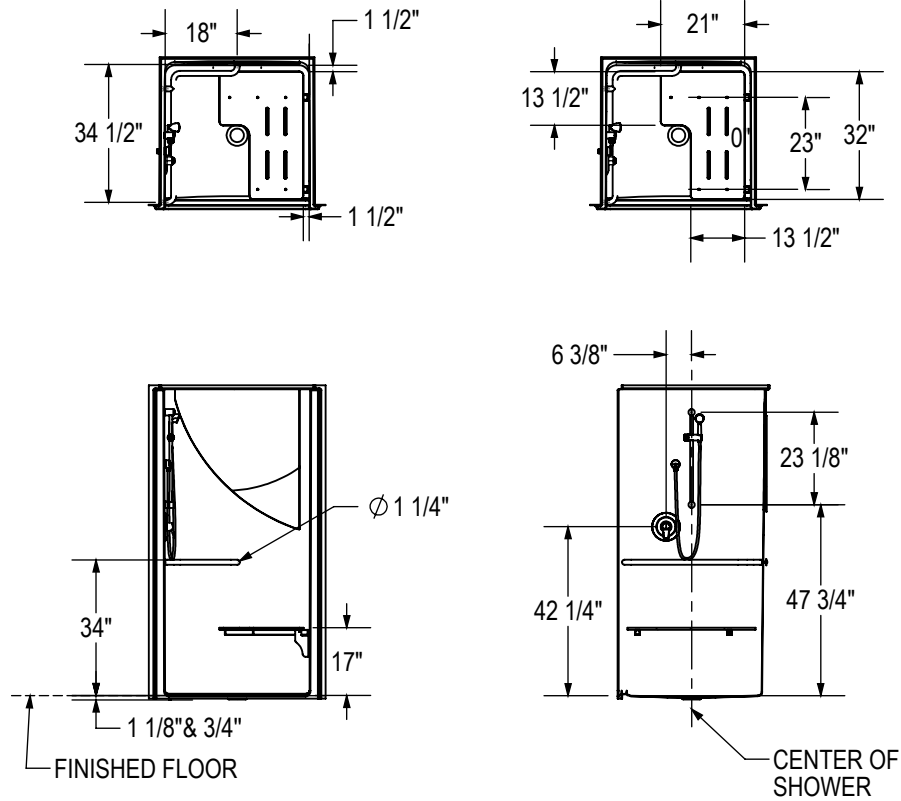
(141412-R/L)



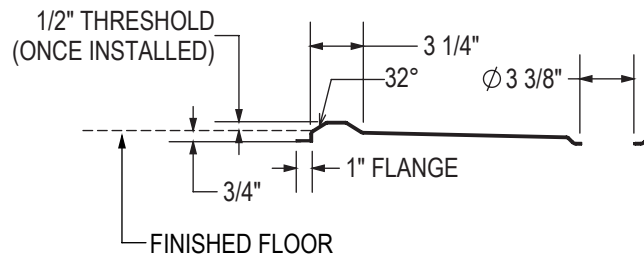
**TO COMPLETE YOUR ORDER, THIS DOCUMENT MUST BE SIGNED AND FAXED TO AKER ORDER DESK**  
**FAX: (304) 263-8369 • PHONE: 1-800-962-2537**

**TECHNICAL DRAWINGS**

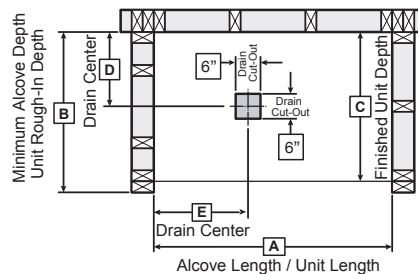
Left side shown  
Right side symmetrical



**DAM PROFILE**



**FRAMING DIMENSIONS**



Model	A	B	C	D	E
141412	38 3/4"	36"	36"	19 1/2"	19 3/4"

**MINIMUM CLEARANCE**

SHOWER 36" X 36"	
ADA	
F	48"
G	36"

Clearance zone from the control wall and adjacent to the open face.

