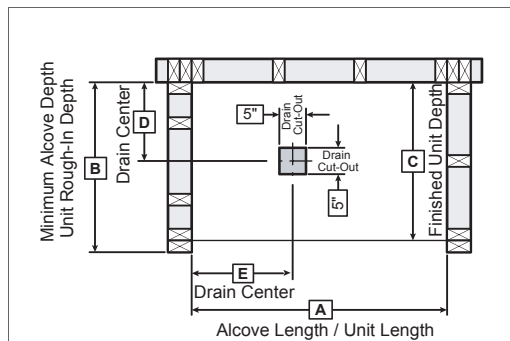


TECHNICAL SPECIFICATIONS

OPS-4836G

MODEL NUMBER 141285

DIMENSIONS: 48" x 36" x 76 3/8" Gelcoat



Model	A	B	C	D	E
141285	50 1/2	39	38	19 1/2	25 1/4

STANDARD FEATURES

- One-piece shower reinforced for customized placement of grab bars and seat
- Optional grab bars, seat & soap dish
- Curtain rod, shower curtain, faucet kit and drain also available
- Center drain
- Textured bottom

UNIQUE FEATURES

- None

OPTIONS

- 18" Modern straight grab bar
- 24" Modern straight grab bar
- 30 in. Modern vertical straight grab bar
- 36 in. Modern horizontal straight grab bar on back wall
- 32 in. Curved grab bar on back wall
- Pivot grab bar

SYSTEMS

- None

DOOR SELECTION

Combine with AKER's complete shower door offering visit www.akerbymax.com

CERTIFICATIONS

AKER products adhere to one or more of the following certifications:



Project :

Contractor :

AKER Representative : Tel :

Date :

TECHNICAL SPECIFICATIONS

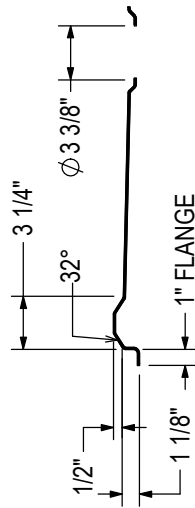


OPS-4836G

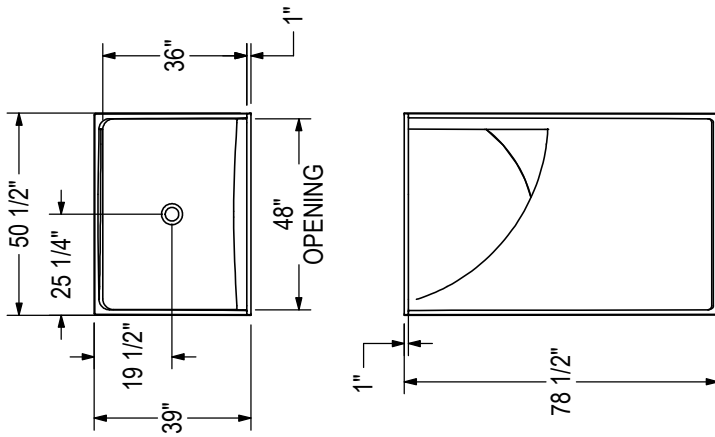
MODEL NUMBER 141285

TECHNICAL DRAWINGS

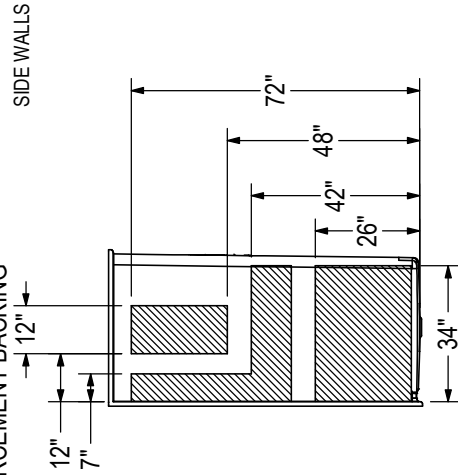
THRESHOLD DETAIL



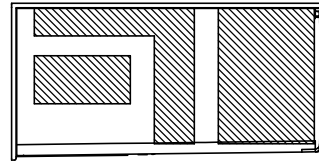
STANDARD MODEL



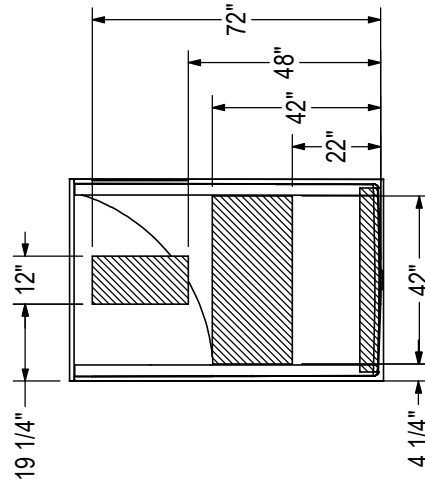
REINFORCEMENT BACKING



SIDE WALLS



BACK WALL



2017
All dimensions are approximate. Structure measurements must be verified against the unit to ensure proper fit.